

DIMENSIONS & DATA CERTIFIED FOR:

Representative:

Order:

Customer:

Order:

Project:

Requirements:

By:

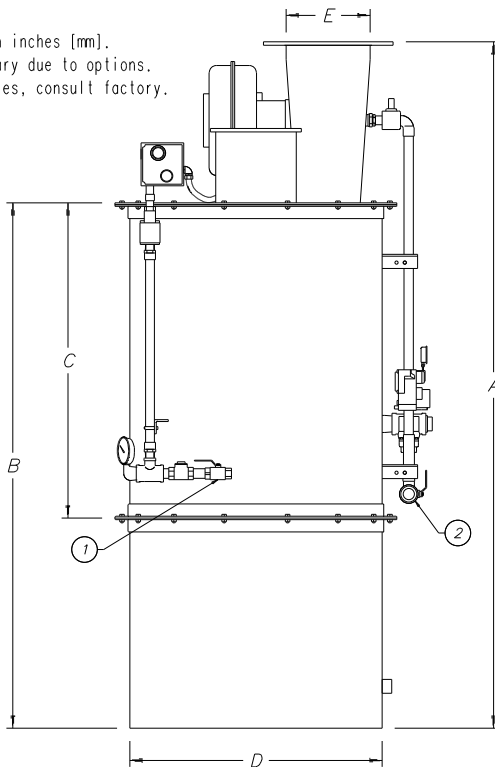
Date:

MODEL	CONNECTIONS		DIMENSIONS					WEIGHT lbs [kgs]
	1	2	A	B	C	D	E	
1000	1 [25]	1 [25]	95 [2413]	71 [1803]	39 [991]	24 [610]	8 [203]	
1500	1 [25]	1 [25]	97 [2464]	73 [1854]	41 [1041]	26 [660]	8 [203]	850 [386]
2000	1-1/2 [40]	1-1/2 [40]	100 [2540]	76 [1930]	44 [1118]	30 [762]	10.75 [273]	1500 [680]
3000	1-1/2 [40]	1-1/2 [40]	100 [2540]	76 [1930]	44 [1118]	36 [914]	12 [305]	1600 [725]
4000	2 [50]	2 [50]	104 [2642]	80 [2032]	48 [1219]	40 [1016]	14 [356]	2000 [907]
5000	2-1/2 [65]	2 [50]	127 [3226]	97 [2464]	65 [1651]	44 [1118]	14 [356]	2500 [1136]
6000	3 [80]	2 [50]	132 [3353]	100 [2540]	70 [1778]	47 [1194]	18 [457]	2900 [1316]
7000	3 [80]	2 [50]	139 [3531]	107 [2718]	77 [1956]	50 [1270]	18 [457]	3200 [1455]
9000	3 [80]	2-1/2 [65]	169 [4293]	139 [3531]	107 [2718]	60 [1524]	20 [508]	5000 [2273]
10000	3 [80]	2-1/2 [65]	181 [4597]	151 [3835]	119 [3023]	61 [1549]	20 [508]	5300 [2405]
11000	4 [100]	3 [80]	181 [4597]	151 [3835]	119 [3023]	61 [1549]	22 [559]	5500 [2495]
15000	4 [100]	3 [80]	192 [4877]	161 [4089]	129 [3277]	70 [1778]	24 [610]	7000 [3175]
18000	4 [100]	3 [80]	218 [5537]	187 [4750]	155 [3937]	76 [1930]	26 [660]	8000 [3636]
25000	6 [150]	4 [100]	264 [6706]	203 [5156]	165 [4191]	98 [2489]	32 [813]	15000 [6818]

Dimensions Are In Inches [mm]


NOTES:

- 1) Dimensions are in inches [mm].
- 2) The weight can vary due to options.
- 3) For other pressures, consult factory.



SPECIFICATIONS	
GAS SUPPLY PRESSURE	2-6 psig [0.14-0.41 bar]
WATER SUPPLY PRESSURE	30-100 psig [2.0-6.8 bar]

MATERIALS	
TANK	304 Stainless Steel
GAS PIPING	Malleable Iron
WATER PIPING	Copper
SPRAY RING	304 Stainless Steel
TANK GASKET	White Warco
FLAME TUBE	304 Stainless Steel
PALL RINGS	304 Stainless Steel



ARMSTRONG HOT WATER GROUP

221 Armstrong Boulevard
Three Rivers, MI 49093

Phone No. 1-268-279-3600 Fax 1-269-273-8656

Posted on Armstrong's homepage www.armstrong-intl.com

<h2 style="margin: 0;">FLO-DIRECT GAS FIRED WATER HEATER</h2>	Date 11/27/01	Rev. G
	Drawing No. CDY 1088	