

DIMENSIONS & DATA CERTIFIED FOR:

Representative:

Order:

Customer:

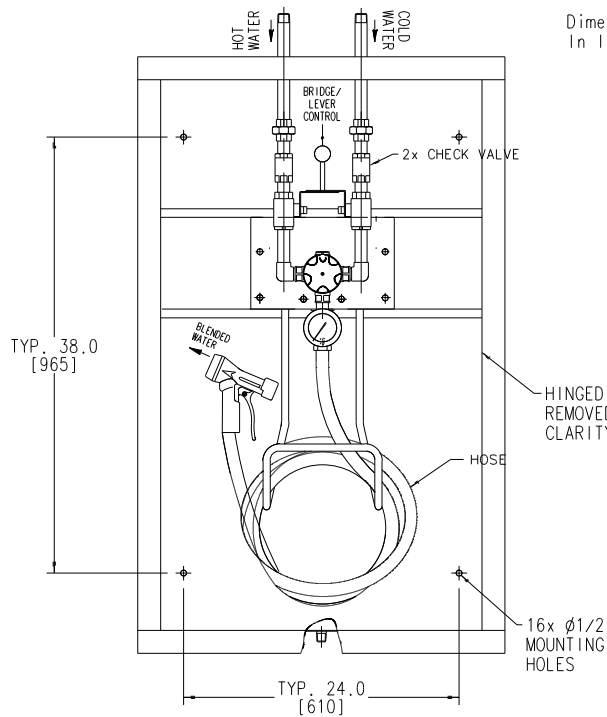
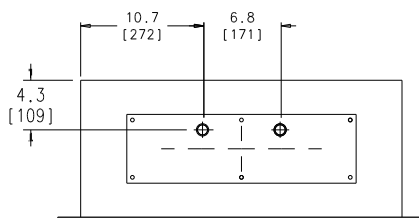
Order:

Project:

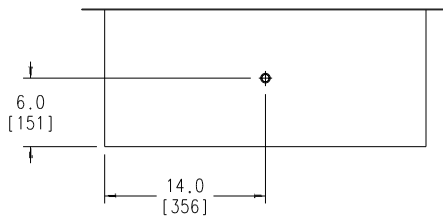
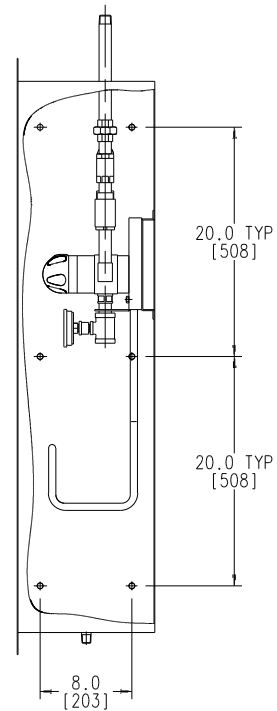
Requirements:

By:

Date:



Dimensions Are
In Inches [mm]




ARMSTRONG HOT WATER GROUP
 221 Armstrong Boulevard
 Three Rivers, MI 49093
Armstrong 1-888-HOT HOSE(1-888-468-4673) Fax 1-269-279-3130
 Posted on Armstrong's homepage www.armstrong-intl.com

NEW UNIVERSAL CABINET
MODEL 3033 - FMCD

Date	2/17/05	Rev.	A
Drawing No.	PAGE 1 CDLW 1155		