

DIMENSIONS & DATA CERTIFIED FOR:

Representative:

Order:

Customer:

Order:

Project:

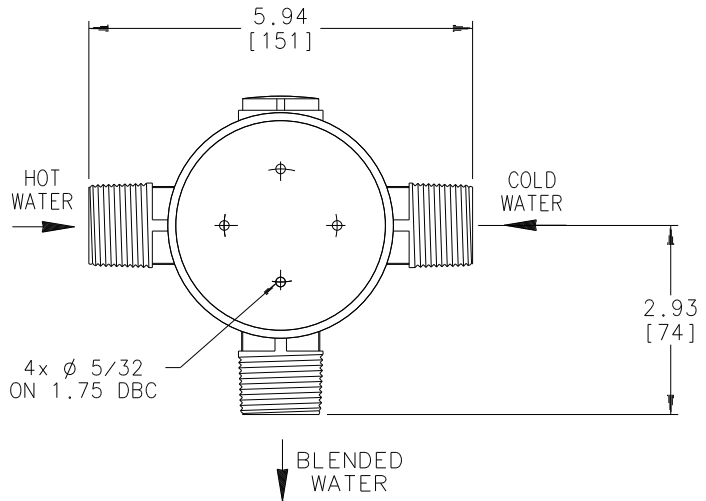
Requirements:

By:

Date:

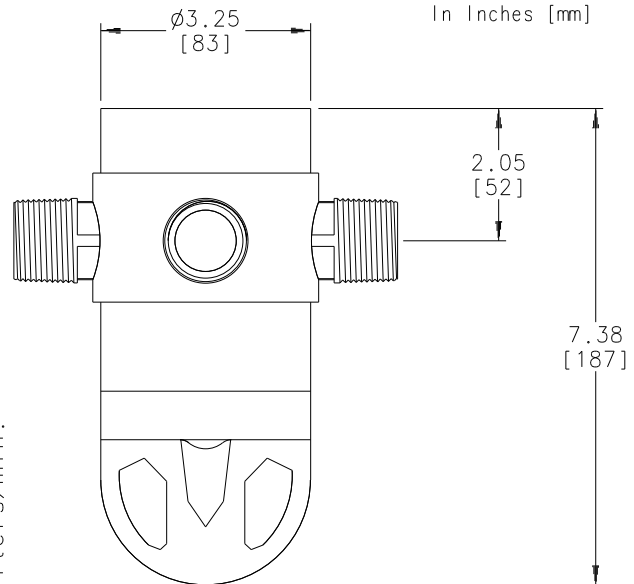
Specifications:

1. Connections, 1" [DN25] NPT
2. Operating Pressure-
150 psi [10 bar] Max.
10 psi [.7 bar] Min.
3. Maximum Pressure Loss Ratio 10:1
4. Weight, Unit; 10 lbs [4.5 kgs]
5. Integral inlet check valves and strainers.

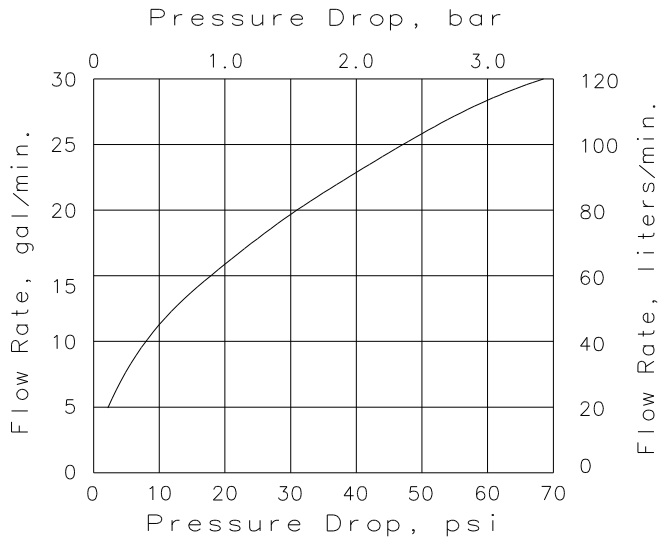


LIST OF MATERIALS	
NAME OF PART	MATERIAL
VALVE, MIXING	ASTM B16 BRASS W/ CHROME PLATING

Dimensions Are
In Inches [mm]



* FLOW RATES, MIXING VALVE:



* Open Outlet

<p>ARMSTRONG</p>	<p><i>ARMSTRONG HOT WATER GROUP</i></p> <p>221 Armstrong Boulevard Three Rivers, MI 49093</p> <p>1-888-HOT HOSE (1-888-468-4673) Fax 1-269-279-3130</p> <p>Posted on www.armstronginternational.com</p>	
	<p>RADA 320</p>	<p>Date 3/30/01</p>
		<p>Drawing No. CDLW 1061</p>