

DIMENSIONS & DATA CERTIFIED FOR:

Representative:

Order:

Customer:

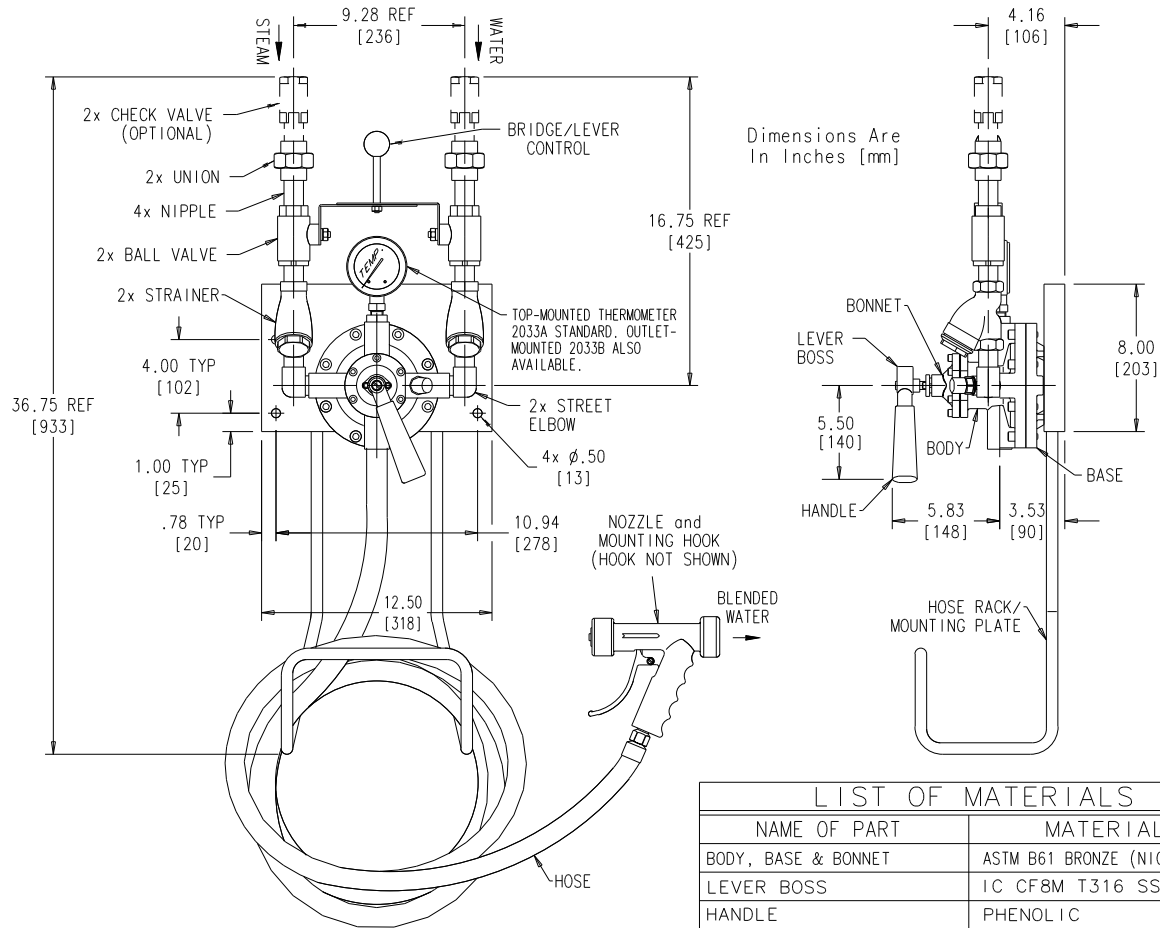
Order:

Project:

Requirements:

By:

Date:



LIST OF MATERIALS	
NAME OF PART	MATERIAL
BODY, BASE & BONNET	ASTM B61 BRONZE (NICKEL PLATED)
LEVER BOSS	IC CF8M T316 SS
HANDLE	PHENOLIC
GASKET	NON ASBESTOS
CHECK VALVE (Optional)	
BALL VALVE	ASTM B61 BRONZE (NICKEL PLATED)
NIPPLE & STREET ELBOW	ASTM B16 BRASS (NICKEL PLATED)
UNION	T304 SS
HOSE RACK/MOUNTING PLATE	ASTM A167 T304 SS
STRAINER	ASTM B62 BRASS
THERMOMETER, 3"Ø 0°-250°F	18-8 SS
HOSE (25' Or 50' Available)	POLY WRAP, 400 psi at 180°F.
NOZZLE	RUBBER COVERED SS NOZZLE
NOZZLE MOUNTING HOOK	ASTM A167 T304 SS

A) 55°F [13°C] Temperature Rise

STEAM	15	45	75	100	psi
WATER	[1]	[3]	[5]	[7]	[bar]
22 psi[1.5]	10.2[38.6]			gal/min	
45 psi[3]	6.9	13.2[49.9]		[l/min]	
60 psi[4]	13.8	15.7			
	[52.2]	[59.4]			

B) 100°F [38°C] Temperature Rise

STEAM	15	45	75	100	psi
WATER	[1]	[3]	[5]	[7]	[bar]
22 psi[1.5]	8.3			8.5	gal/min
45 psi[3]	3.6	6.9	9.9		[l/min]
60 psi[4]	7.2	9.4			
	[27.2]	[32.1]			

C) 135°F [57°C] Temperature Rise

STEAM	15	45	75	100	psi
WATER	[1]	[3]	[5]	[7]	[bar]
22 psi[1.5]	6.6			7.2	gal/min
45 psi[3]	2.5	5.0	8.0		[l/min]
60 psi[4]	5.0	7.2			
	[18.9]	[27.2]			

FLOW RATES:

- A) "User Safe" Temperature (120°F [48°C] Approx.)
- B) "Hot Hose Down" Temperature (150/160°F [65/71°C] Approx.)
- C) "Common Bacterial Kill" (180°F [82°C] Approx.) *

*The phrase "Common Bacteria Kill" is not meant to imply sterilization capability but to indicate the ability of STEAMIX to handle the higher temperatures required in Food, Beverage, Pharmaceutical Plants etc.

SPECIFICATIONS:

1. Connections, 3/4" [DN20] NPT
2. Operating Pressure-
Steam/Water 150 psi [10 bar] Max.
Steam/Water 20 psi [1.4 bar] Min.
3. Maximum Pressure Loss Ratio 10:1
4. Inlet Check Valves Required
5. Weight, Unit;
68 lbs [31 kgs] W/ 25' HOSE
79 lbs [36 kgs] W/ 50' HOSE

ARMSTRONG HOT WATER GROUP
221 Armstrong Boulevard
Three Rivers, MI 49093
1-888-HOT HOSE(1-888-468-4673) Fax 1-269-279-3130
Posted on Armstrong's homepage www.armstrong-intl.com

<p style="font-size: 24px; margin: 0;">STEAMIX 2033S PREMIUM</p>	Date	Rev.
	2/21/01	F
Drawing No.		CDLW 1056