

# DIMENSIONS & DATA CERTIFIED FOR:

Representative:

Order:

Customer:

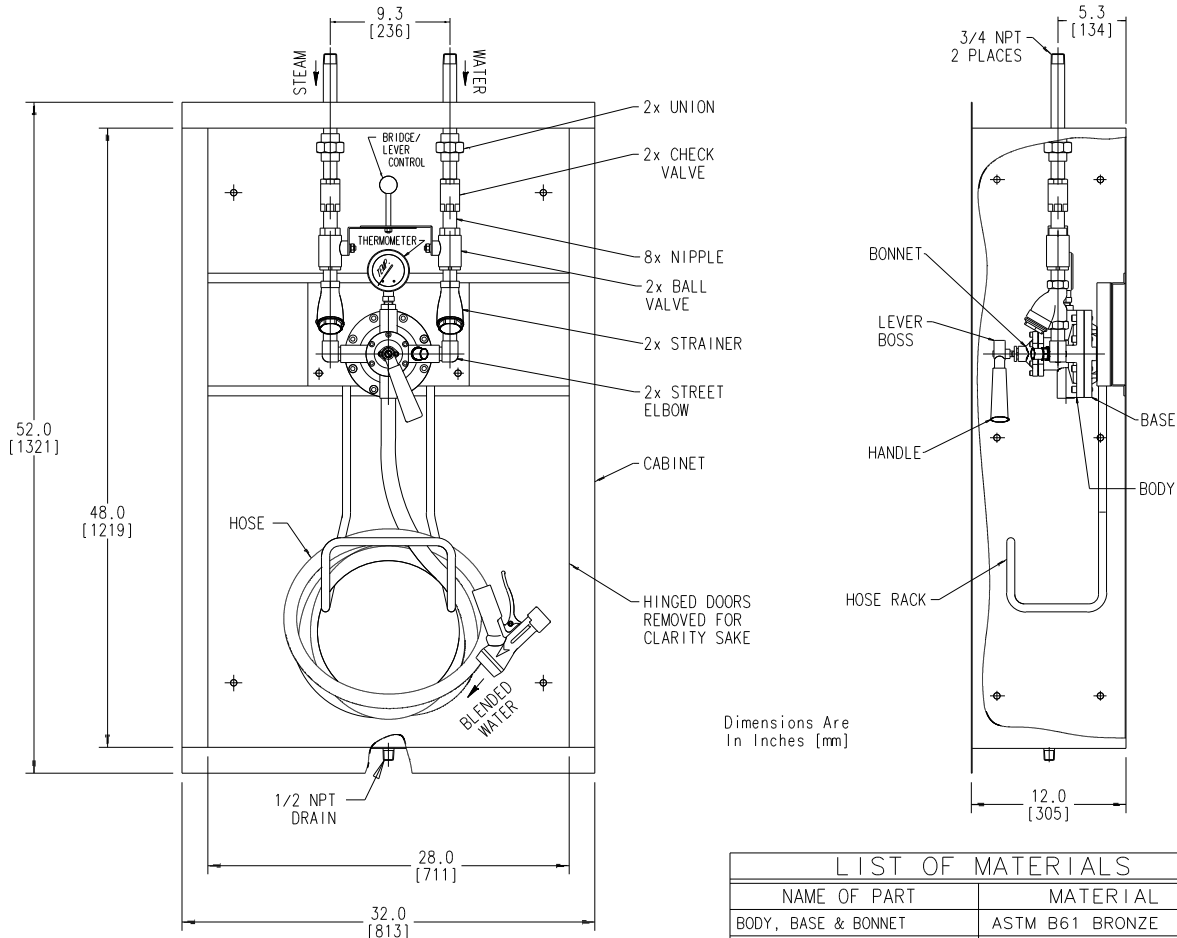
Order:

Project:

Requirements:

By:

Date:



Dimensions Are In Inches [mm]

### LIST OF MATERIALS

NAME OF PART	MATERIAL
BODY, BASE & BONNET	ASTM B61 BRONZE
LEVER BOSS	1C CF8M T304 SS
HANDLE	PHENOLIC
GASKET	NON ASBESTOS
CHECK VALVE	ASTM B61 BRONZE
BALL VALVE & UNION	
NIPPLE & STREET ELBOW	ASTM B16 BRASS
CABINET & HOSE RACK	ASTM A167 T304 SS
STRAINER	ASTM B62 BRASS
THERMOMETER, 3"φ 0°-250°F	18-8 SS
HOSE (25')	POLY WRAP, 400 psi at 180°F.
NOZZLE	RUBBER COVERED NOZZLE

**A) 55°F [13°C] Temperature Rise**

STEAM WATER	15 [1]	45 [3]	75 [5]	100 [7]	psi [bar]
22 psi [1.5]	6.9 [26.1]	10.2 [38.6]		gal/min [l/min]	
45 psi [3]		13.2 [49.9]			
60 psi [4]		13.8 [52.2]	15.7 [59.4]		

**B) 100°F [38°C] Temperature Rise**

STEAM WATER	15 [1]	45 [3]	75 [5]	100 [7]	psi [bar]
22 psi [1.5]	3.6 [13.6]	6.9 [26.1]	8.3 [31.4]	8.5 [32.1]	gal/min [l/min]
45 psi [3]			9.4 [37.4]	9.9 [37.4]	
60 psi [4]			10.5 [39.7]	10.5 [39.7]	

**C) 135°F [57°C] Temperature Rise**

STEAM WATER	15 [1]	45 [3]	75 [5]	100 [7]	psi [bar]
22 psi [1.5]	2.5 [9.4]	5.0 [18.9]	6.6 [24.9]	7.2 [27.2]	gal/min [l/min]
45 psi [3]			7.2 [27.2]	8.0 [30.2]	
60 psi [4]			8.0 [30.2]	8.0 [30.2]	

**FLOW RATES:**

- A) \*User Safe\* Temperature (120°F [48°C] Approx.)
- B) \*Hot Hose Down\* Temperature (150/160°F [65/71°C] Approx.)
- C) \*Common Bacterial Kill\* (180°F [82°C] Approx.) \*

\*The phrase \*Common Bacteria Kill\* is not meant to imply sterilization capability but to indicate the ability of STEAMIX to handle the higher temperatures required in Food, Beverage, Pharmaceutical Plants etc.

**SPECIFICATIONS:**

1. Connections, 3/4" [DN20] NPT
2. Operating Pressure- Steam/Water 150 psi [10 bar] Max. Steam/Water 20 psi [1.4 bar] Min.
3. Maximum Pressure Loss Ratio 10:1
4. Inlet Check Valves Included
5. Weight, Unit; 68 lbs [31 kgs] W/ 25' Hose 79 lbs [36 kgs] W/ 50' Hose



**ARMSTRONG HOT WATER GROUP**

221 Armstrong Boulevard  
Three Rivers, MI 49093

1-888-HOT HOSE (1-888-468-4673) Fax 1-269-279-3130  
Posted on Armstrong's homepage [www.armstrong-intl.com](http://www.armstrong-intl.com)

**NEW UNIVERSAL CABINET  
STEAMIX 2033 - FMCD**

Date	5/10/99	Rev.	E
Drawing No.	PAGE 1 CDLW 1024		

# DIMENSIONS & DATA CERTIFIED FOR:

Representative:

Order:

Customer:

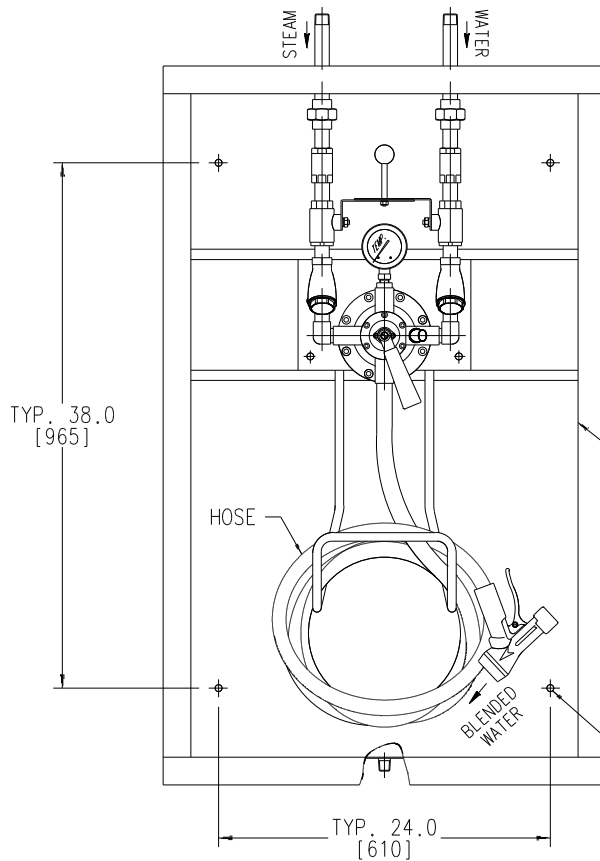
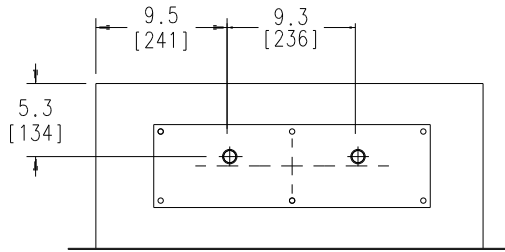
Order:

Project:

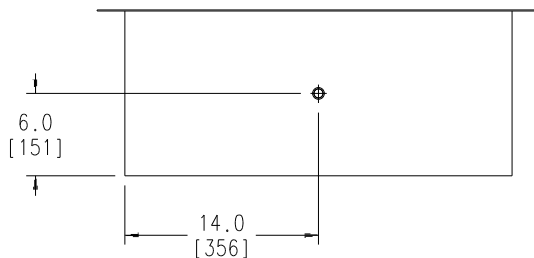
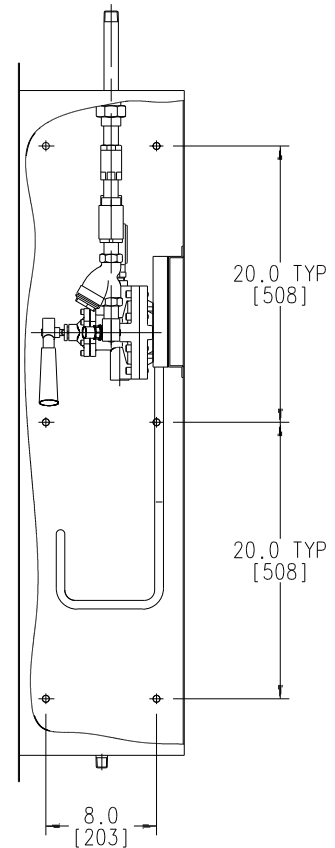
Requirements:

By:

Date:



Dimensions Are  
In Inches [mm]




**ARMSTRONG HOT WATER GROUP**  
 221 Armstrong Boulevard  
 Three Rivers, MI 49093  
**Armstrong** 1-888-HOT HOSE(1-888-468-4673) Fax 1-269-279-3130  
 Posted on Armstrong's homepage [www.armstrong-intl.com](http://www.armstrong-intl.com)

NEW UNIVERSAL CABINET STEAMIX 2033 - FMCD	Date	Rev.
	9/27/99	D
Drawing No.		PAGE 2
CDLW 1024		