

# DIMENSIONS & DATA CERTIFIED FOR:

Representative:

Order:

Customer:

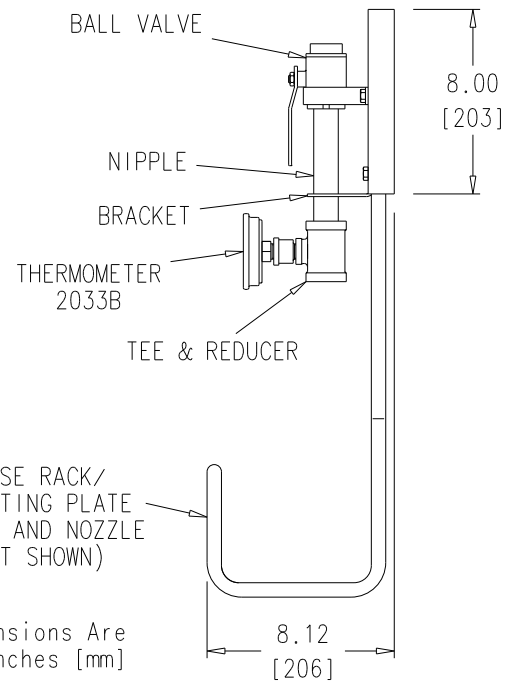
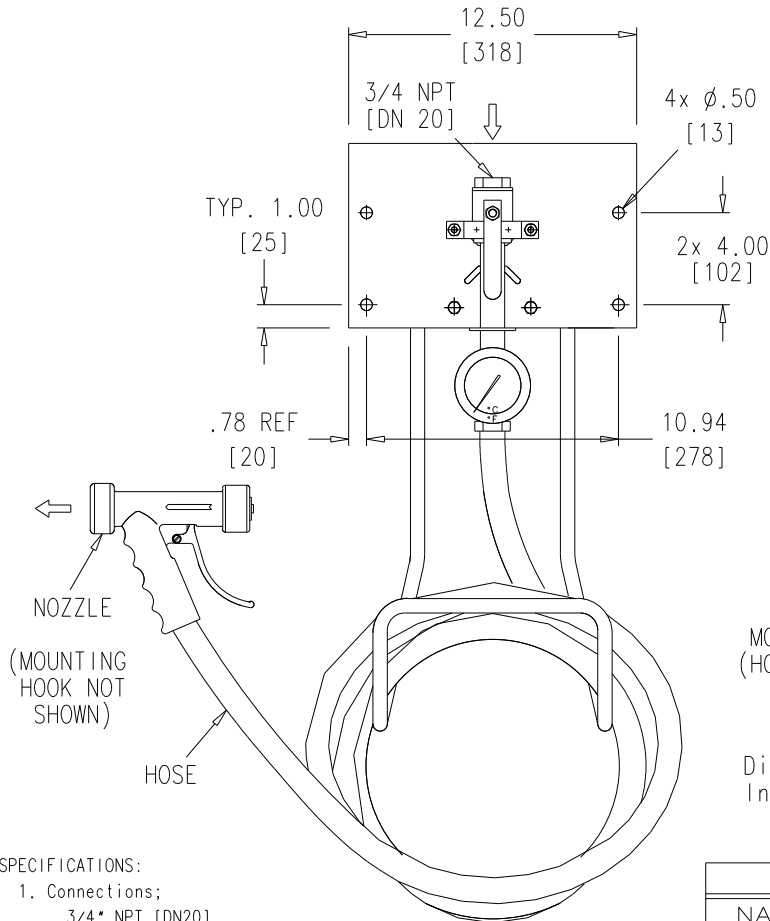
Order:

Project:

Requirements:

By:

Date:

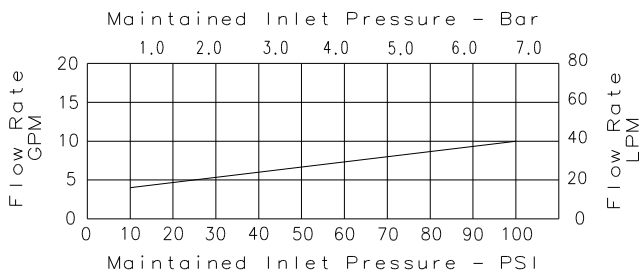


Dimensions Are  
In Inches [mm]

**SPECIFICATIONS:**

1. Connections;  
3/4" NPT [DN20]
2. Operating Pressure;  
150 PSI [10 bar] Max.
3. Weight, Unit;  
37 lbs [17 kgs] W/ 25' Hose  
48 lbs [22 kgs] W/ 50' Hose

**FLOW RATE (1033):**



LIST OF MATERIALS	
NAME OF PART	MATERIAL
BALL VALVE	ASTM A351 T304 SS
NIPPLE	ASTM A276 T304 SS
HOSE RACK/MOUNTING PLATE	ASTM A167 T304 SS
THERMOMETER, 3"ø 50°-250°F	18-8 SS
TEE & REDUCER	ASTM A351 T304 SS
HOSE (25' Or 50' Available)	POLY WRAP, 400 PSI @ 190°F.
NOZZLE	STAINLESS STEEL RUBBER COVERED NOZZLE
NOZZLE MOUNTING HOOK	ASTM A167 T304 SS

**ARMSTRONG HOT WATER GROUP**  
 221 Armstrong Boulevard  
 Three Rivers, MI 49093  
 1-888-HOT HOSE (1-888-468-4673) Fax 1-269-279-3130  
 Posted on [www.armstronginternational.com](http://www.armstronginternational.com)

<h2 style="margin: 0;">ASSEMBLY 1033</h2>	Date	11/9/98	Rev.	D
	Drawing No.		CDLW 1012	