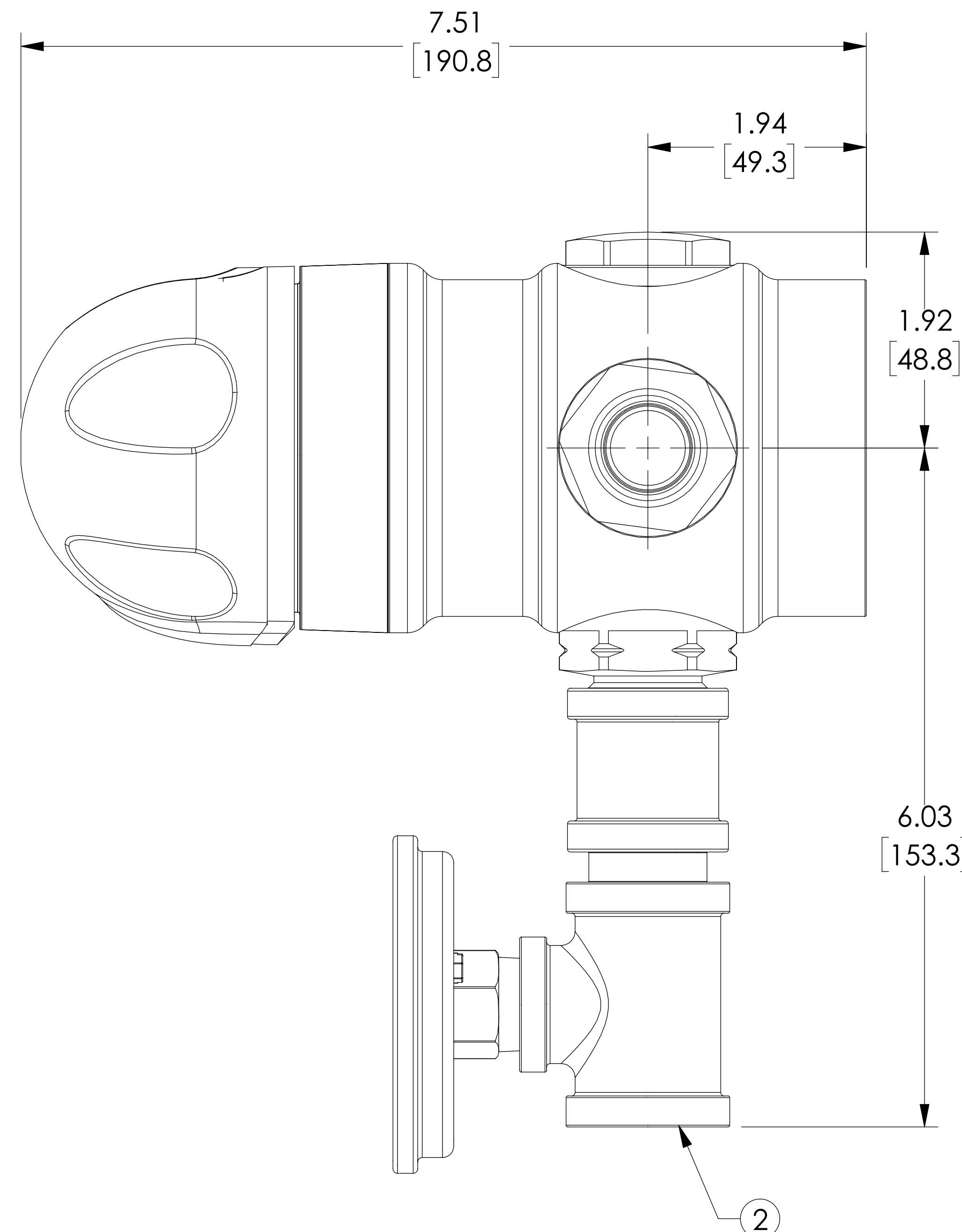
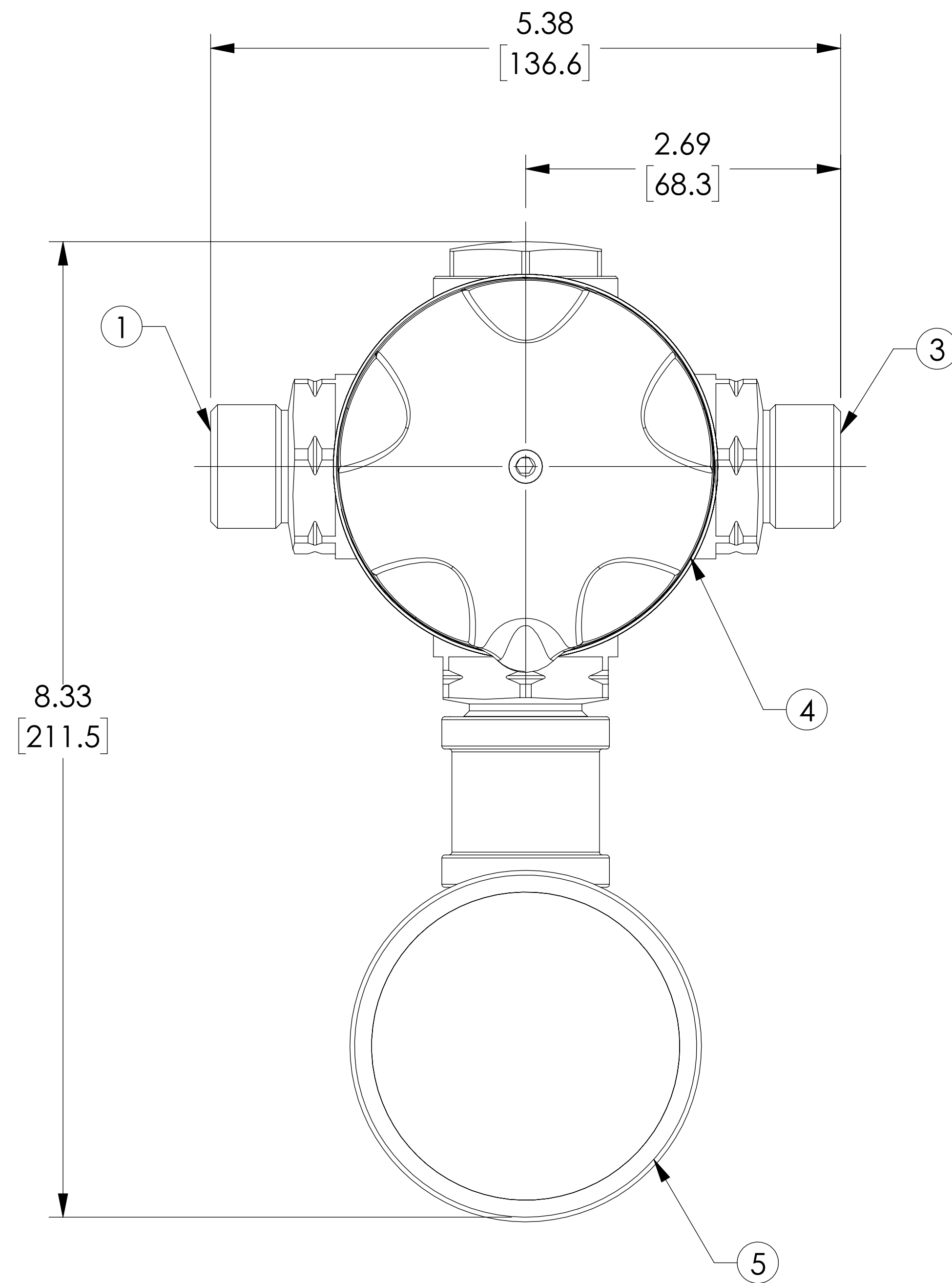


APPROVAL

BY: _____ DATE: _____

- APPROVED, PROCEED WITH FABRICATION
- APPROVED AS NOTED, PROCEED WITH FABRICATION IN ACCORDANCE WITH COMMENTS
- DISAPPROVED, DO NOT FABRICATE



PROJECT NAME:

TAG:

ITEM	DESCRIPTION	CONNECTION
1	HOT WATER INLET MALE NPT	3/4" NPT
2	MIXED WATER OUTLET FEMALE NPT	3/4" NPT
3	COLD WATER INLET MALE NPT	3/4" NPT
4	325D VALVE	3/4" NPT
5	THERMOMETER	

NOTE:
1. ARMSTRONG PART NUMBER: D81616

DO NOT SCALE DRAWING													
TOLERANCES UNLESS OTHERWISE SPECIFIED													
DIMENSIONING ENGLISH [mm]													
FRACTIONAL ± 1/64													
ANGULAR: ± 2													
DECIMAL	<table border="1"> <tr> <td>.XXXX</td> <td>± .0005</td> <td>----</td> </tr> <tr> <td>.XXX</td> <td>± .005</td> <td>.010</td> </tr> <tr> <td>.XX</td> <td>± .015</td> <td>.10</td> </tr> <tr> <td>.X</td> <td>-----</td> <td>.3</td> </tr> </table>	.XXXX	± .0005	----	.XXX	± .005	.010	.XX	± .015	.10	.X	-----	.3
.XXXX	± .0005	----											
.XXX	± .005	.010											
.XX	± .015	.10											
.X	-----	.3											

NAME	DATE
Lucas Wilkins	04/12/2016
DRAWN	
RELEASED	

ARMSTRONG INTERNATIONAL
Copyright © 2010 ARMSTRONG INTERNATIONAL, INC.

Z358-20 3/4 NPT

MATERIAL	SHEET 1 OF 1
CN51294	REV A DWG. SALES