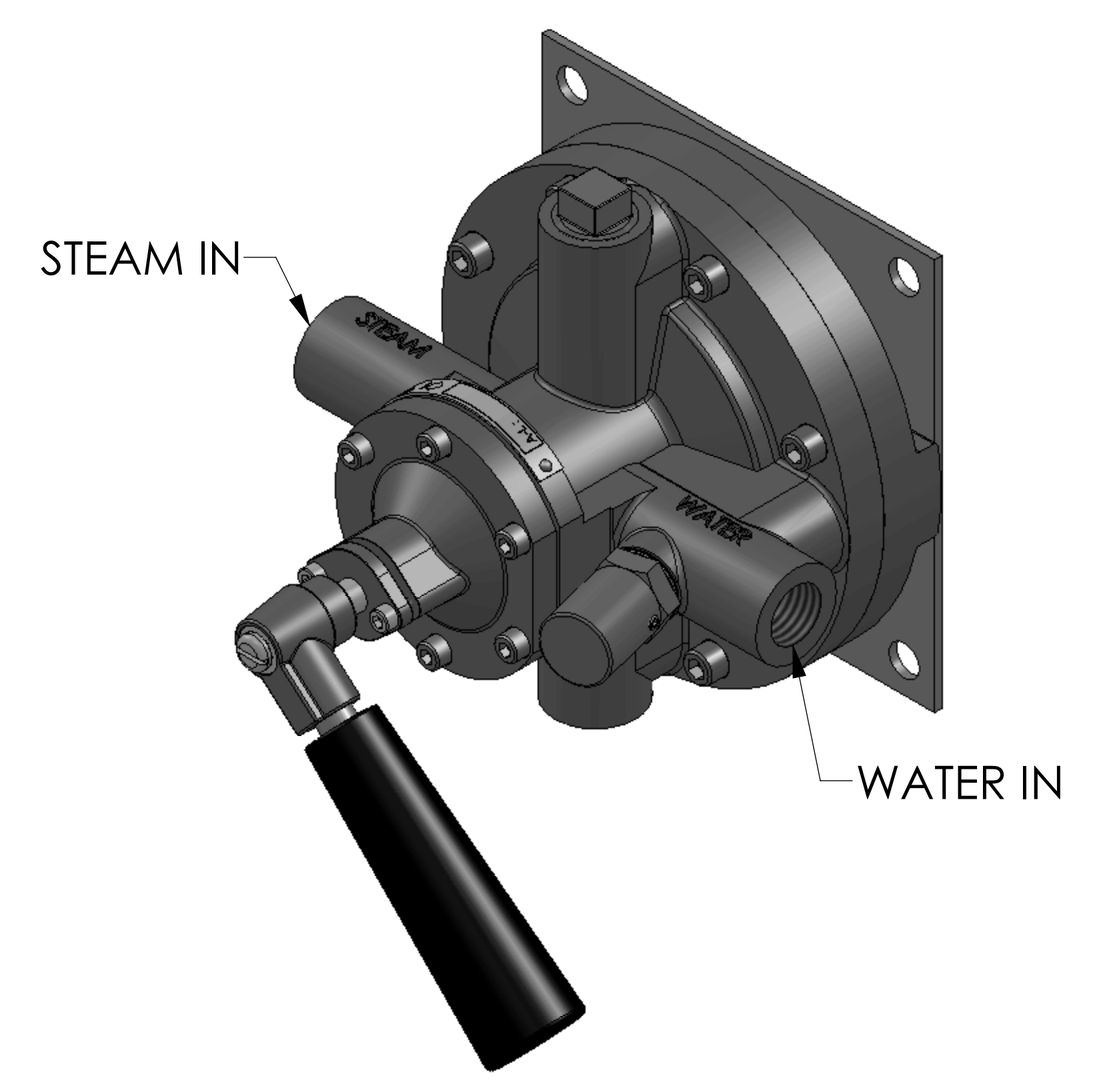
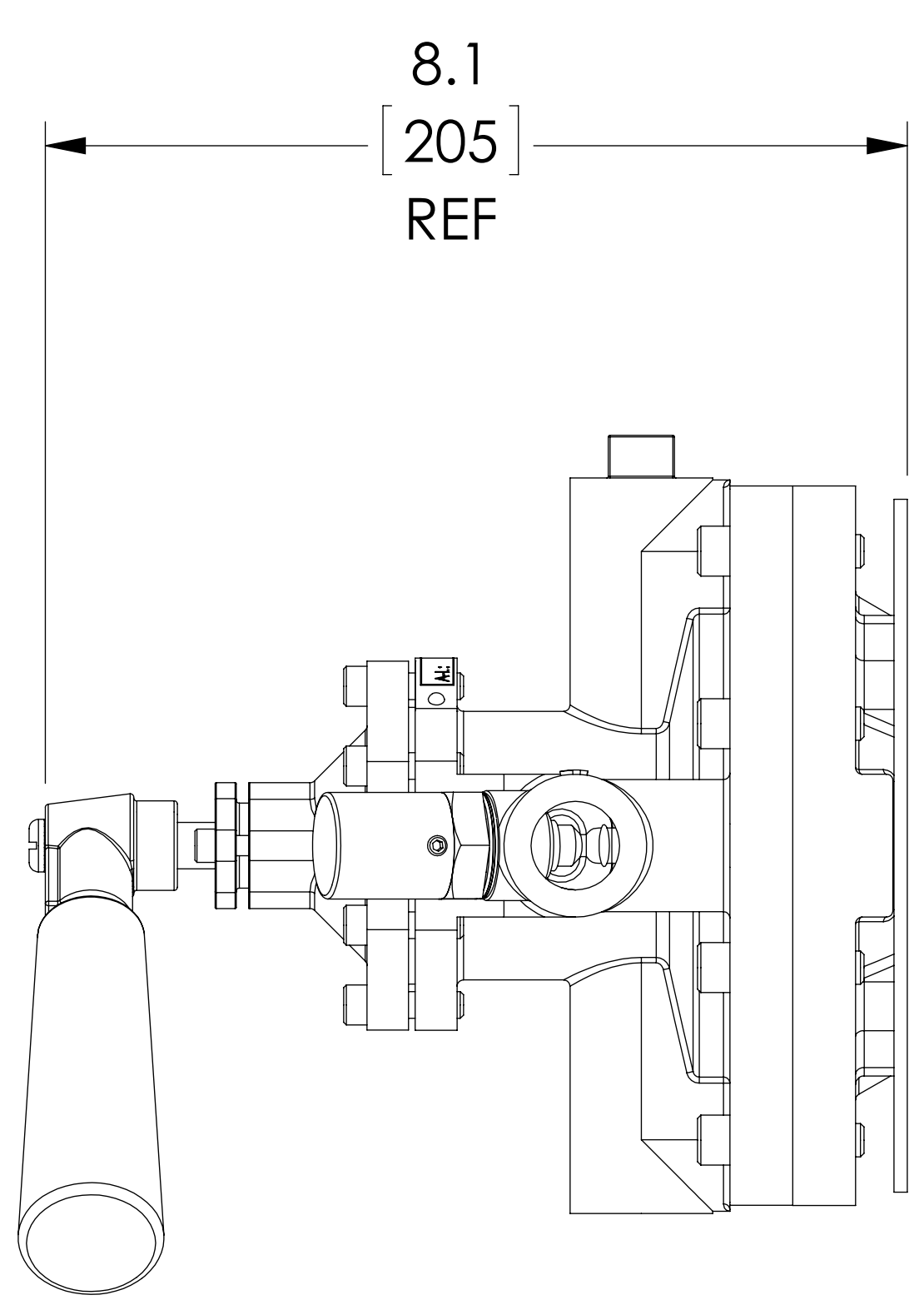
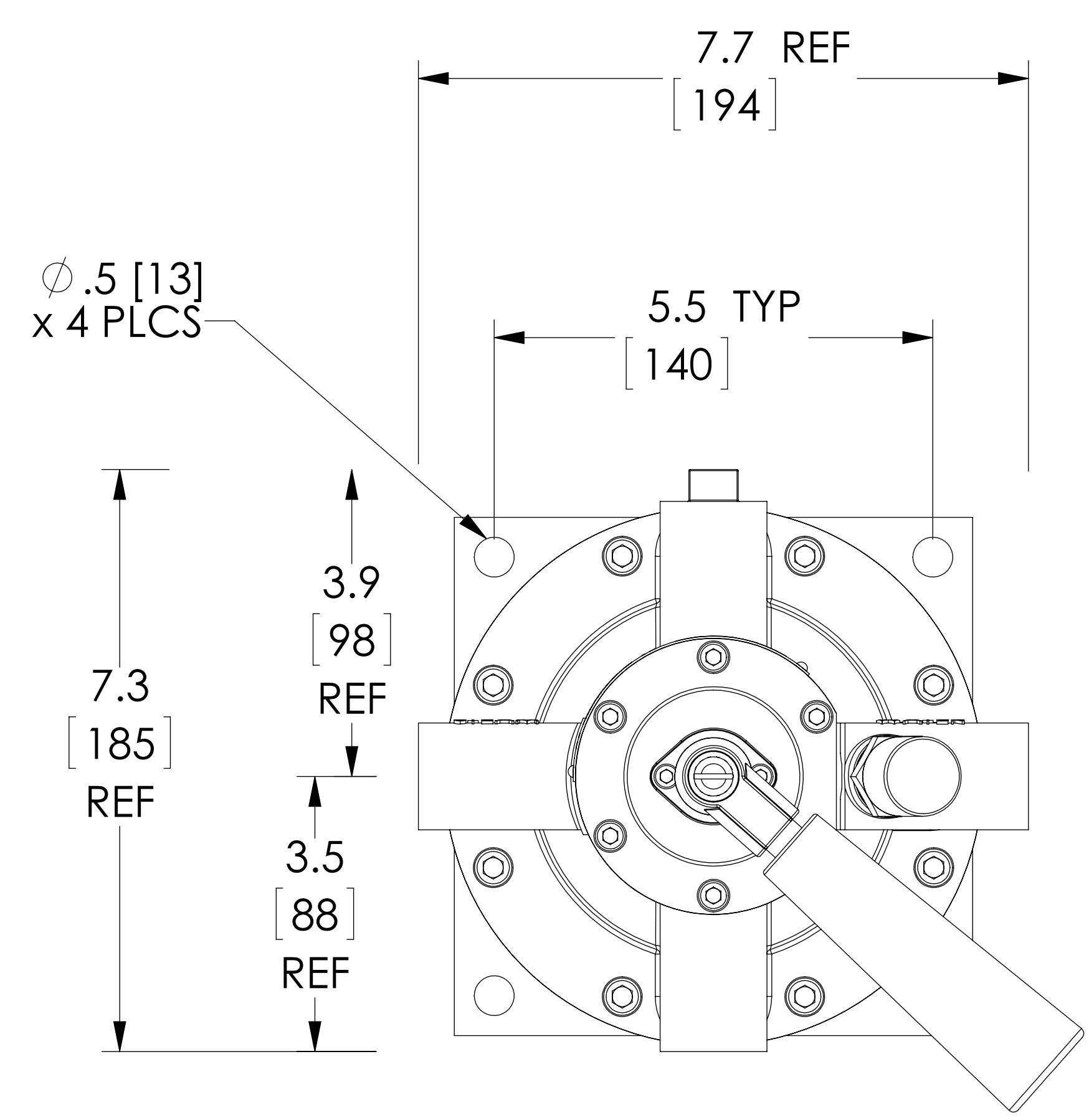
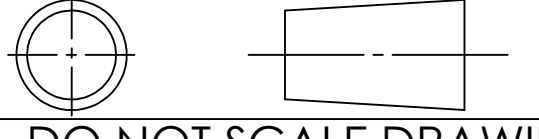
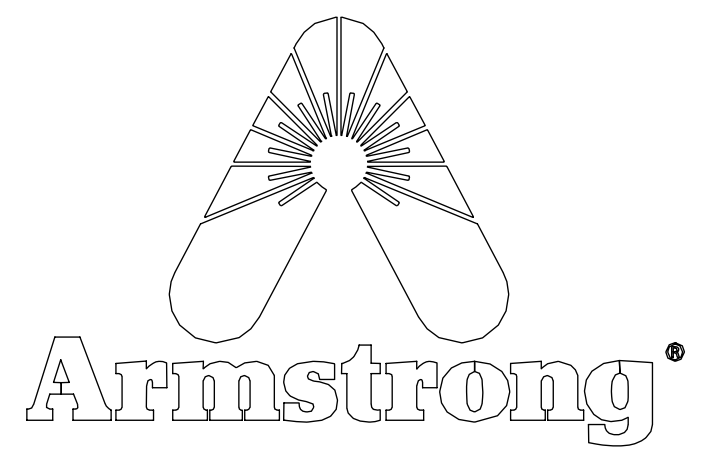
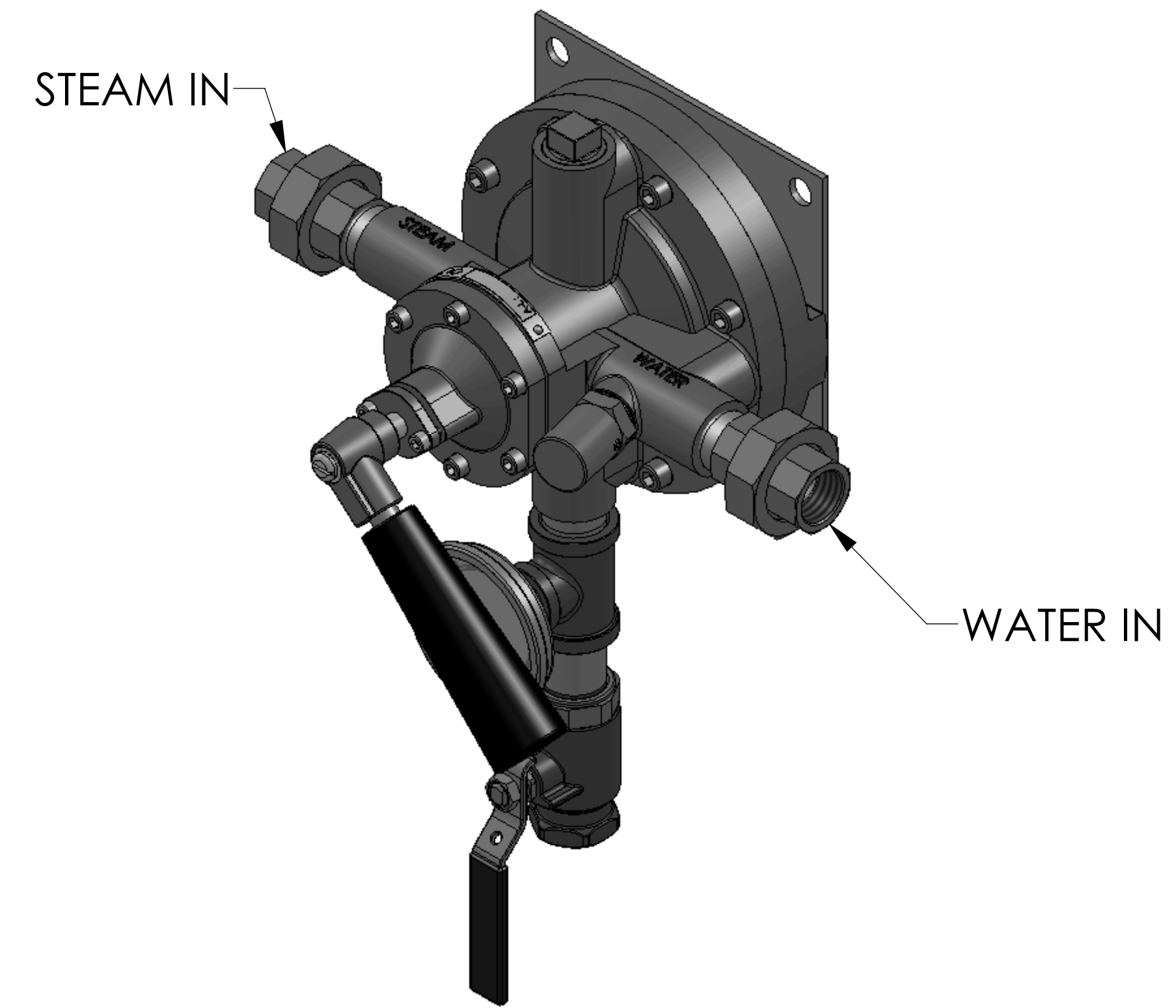
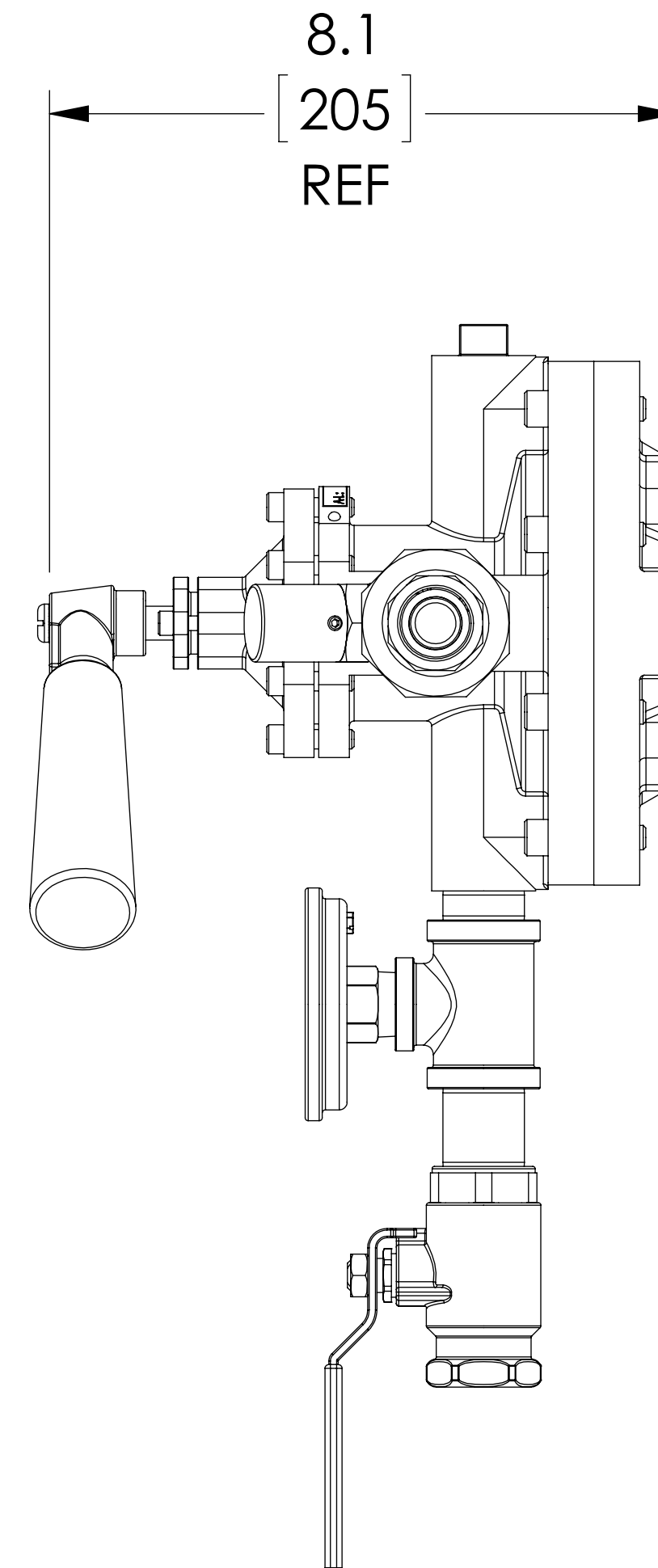
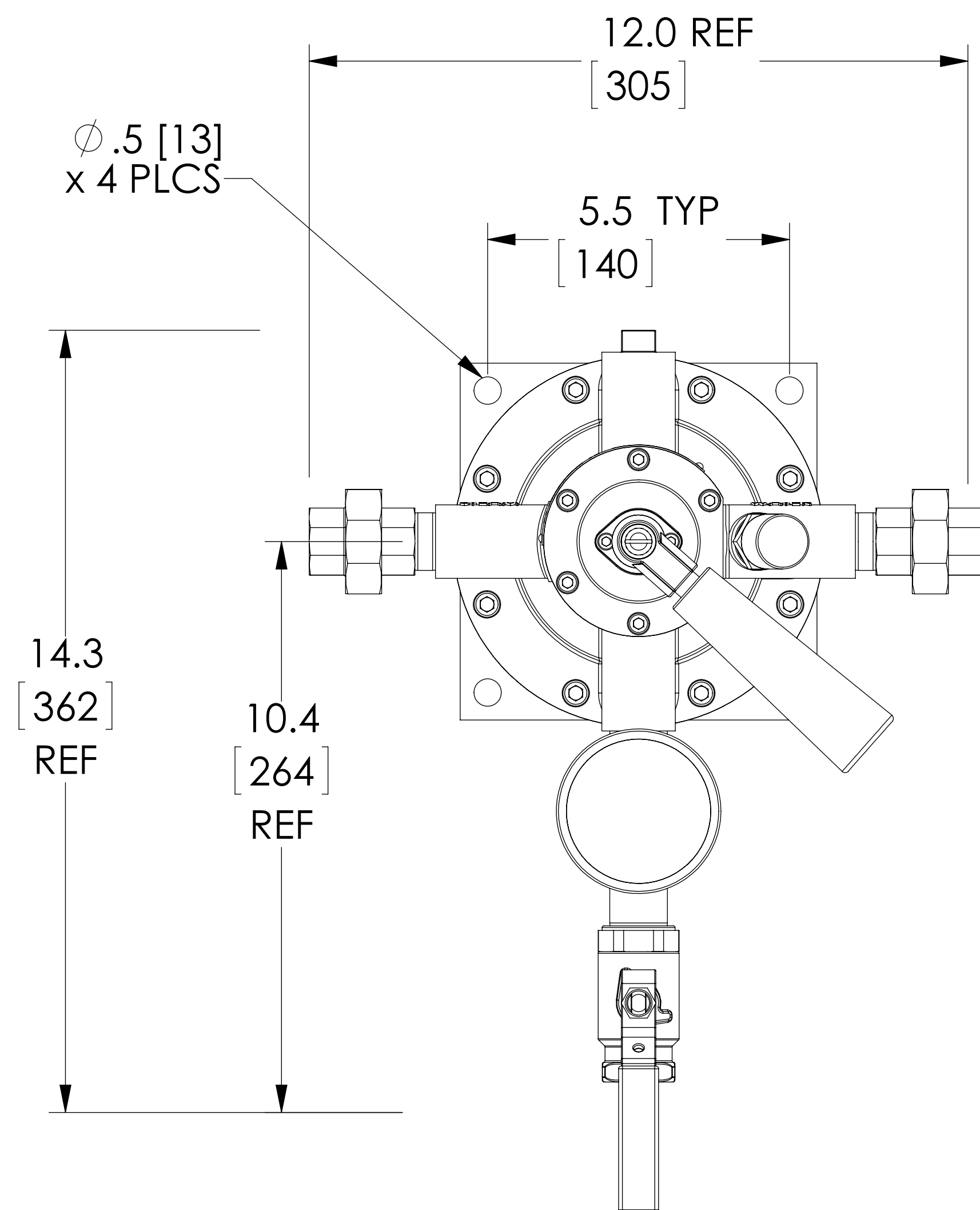


ITEM	MATERIAL
MIXING VALVE BODY	BRASS/STAINLESS STEEL
COMPONENTS	N/A
BACKPLATE / RACK	STAINLESS STEEL
HOSE	N/A
NOZZLE	N/A
LOCATION	CONNECTION
STEAM IN CONNECTION	3/4" NPT
WATER IN CONNECTION	3/4" NPT
OUTLET	3/4" NPT



 DO NOT SCALE DRAWING TOLERANCES UNLESS OTHERWISE SPECIFIED DIMENSIONING ENGLISH [mm]			ARMSTRONG INTERNATIONAL Copyright © 2010 ARMSTRONG INTERNATIONAL, INC.	
FRACTIONAL ± 1/64 ANGULAR: ± 2 DECIMAL .XXXX ± .0005 .XXX ± .005 .010 .XX ± .015 .10 .X ± .3			2030 3/4 NPT BRS C-055839	
DRAWN RELEASED	NAME CFG	DATE	MATERIAL	SHEET 1 OF 1 REV A DWG. D16943

ITEM	MATERIAL
MIXING VALVE BODY	BRASS/STAINLESS STEEL
COMPONENTS	BRASS
BACKPLATE / RACK	STAINLESS STEEL
HOSE	N/A
NOZZLE	N/A
LOCATION	CONNECTION
STEAM IN CONNECTION	3/4" NPT
WATER IN CONNECTION	3/4" NPT
OUTLET	3/4" NPT

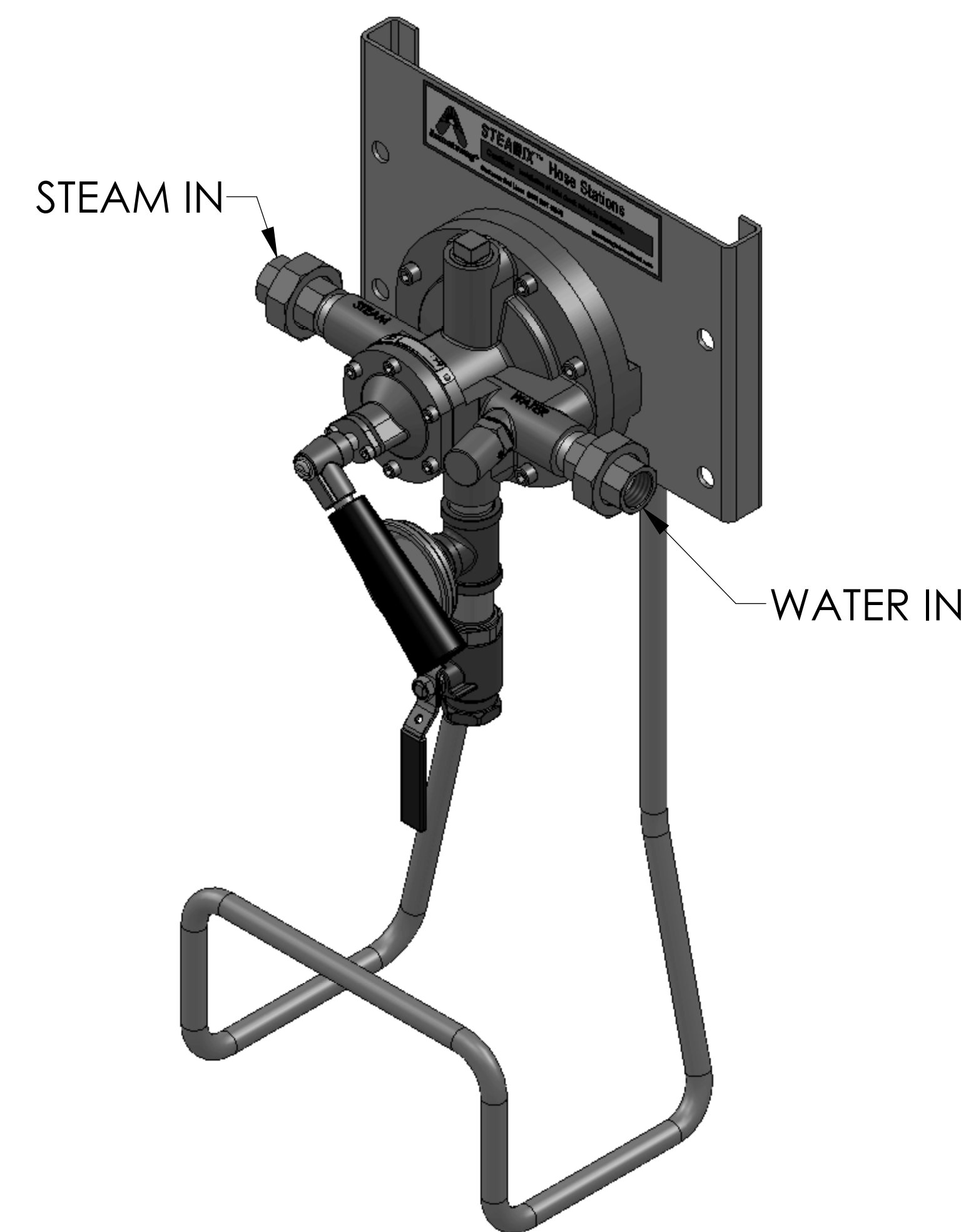
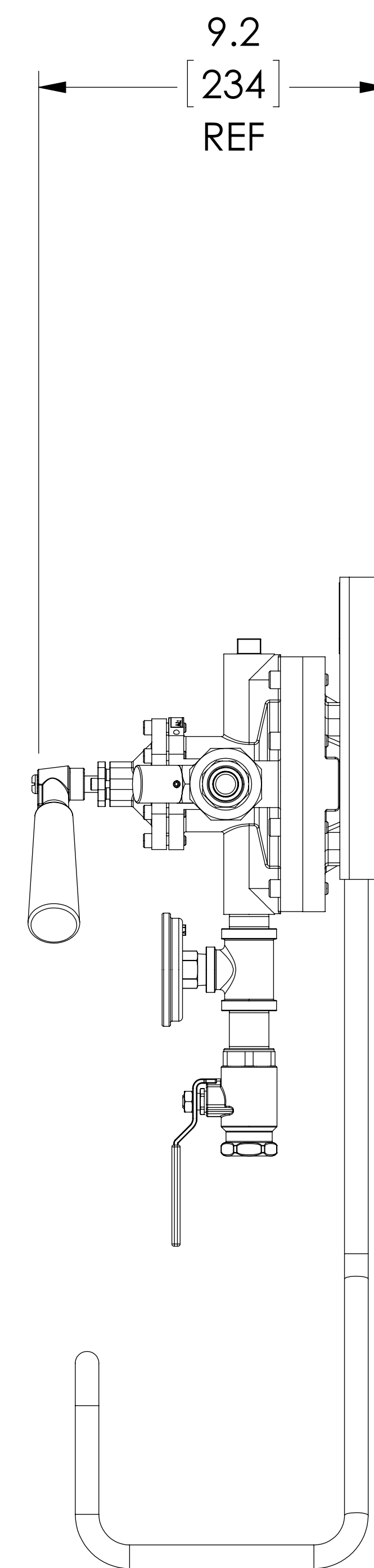
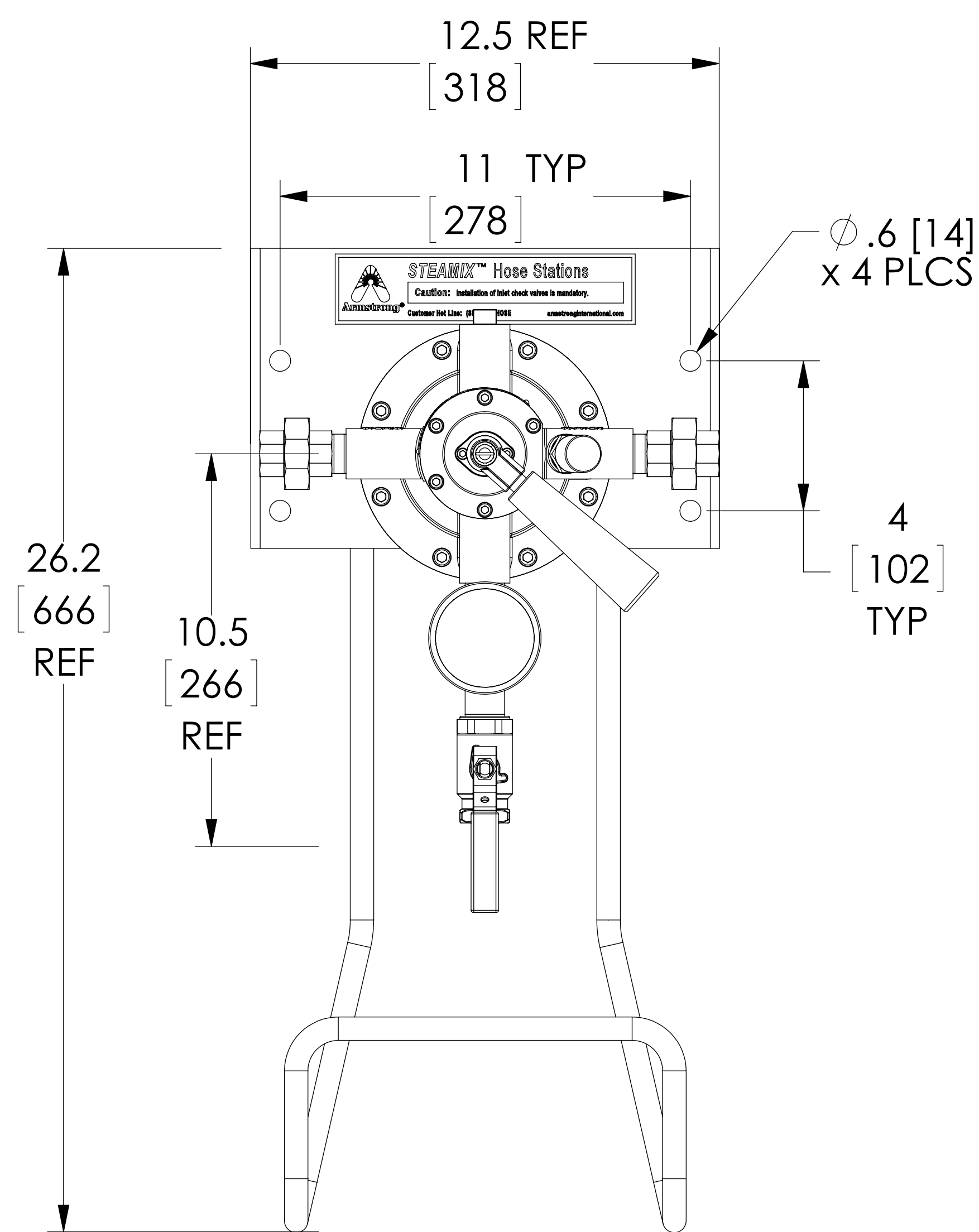


DO NOT SCALE DRAWING TOLERANCES UNLESS OTHERWISE SPECIFIED	
DIMENSIONING ENGLISH [mm]	
FRACTIONAL: ± 1/64	
ANGULAR: ± 2	
DECIMAL	IN. MM
.XXX ± .005	-----
.XX ± .015	.10
.X	.3

NAME	DATE
DRAWN CFG	
RELEASED	

ARMSTRONG INTERNATIONAL Copyright © 2010 ARMSTRONG INTERNATIONAL, INC.	
2031 3/4 NPT BRS STANDARD	
C-055841	
MATERIAL	SHEET 1 OF 1
REV A	DWG. D16944

ITEM	MATERIAL
MIXING VALVE BODY	BRASS/STAINLESS STEEL
COMPONENTS	BRASS
BACKPLATE / RACK	STAINLESS STEEL
HOSE	N/A
NOZZLE	N/A
LOCATION	CONNECTION
STEAM IN CONNECTION	3/4" NPT
WATER IN CONNECTION	3/4" NPT
OUTLET	3/4" NPT



DO NOT SCALE DRAWING	
TOLERANCES UNLESS OTHERWISE SPECIFIED	
DIMENSIONING ENGLISH [mm]	
FRACTIONAL	± 1/64
ANGULAR:	± 2
DECIMAL	.XXXX ± .0005
	.XXX ± .005
	.XX ± .015
	.X ± .3

Armstrong®

	NAME	DATE
DRAWN	CFG	
RELEASED		

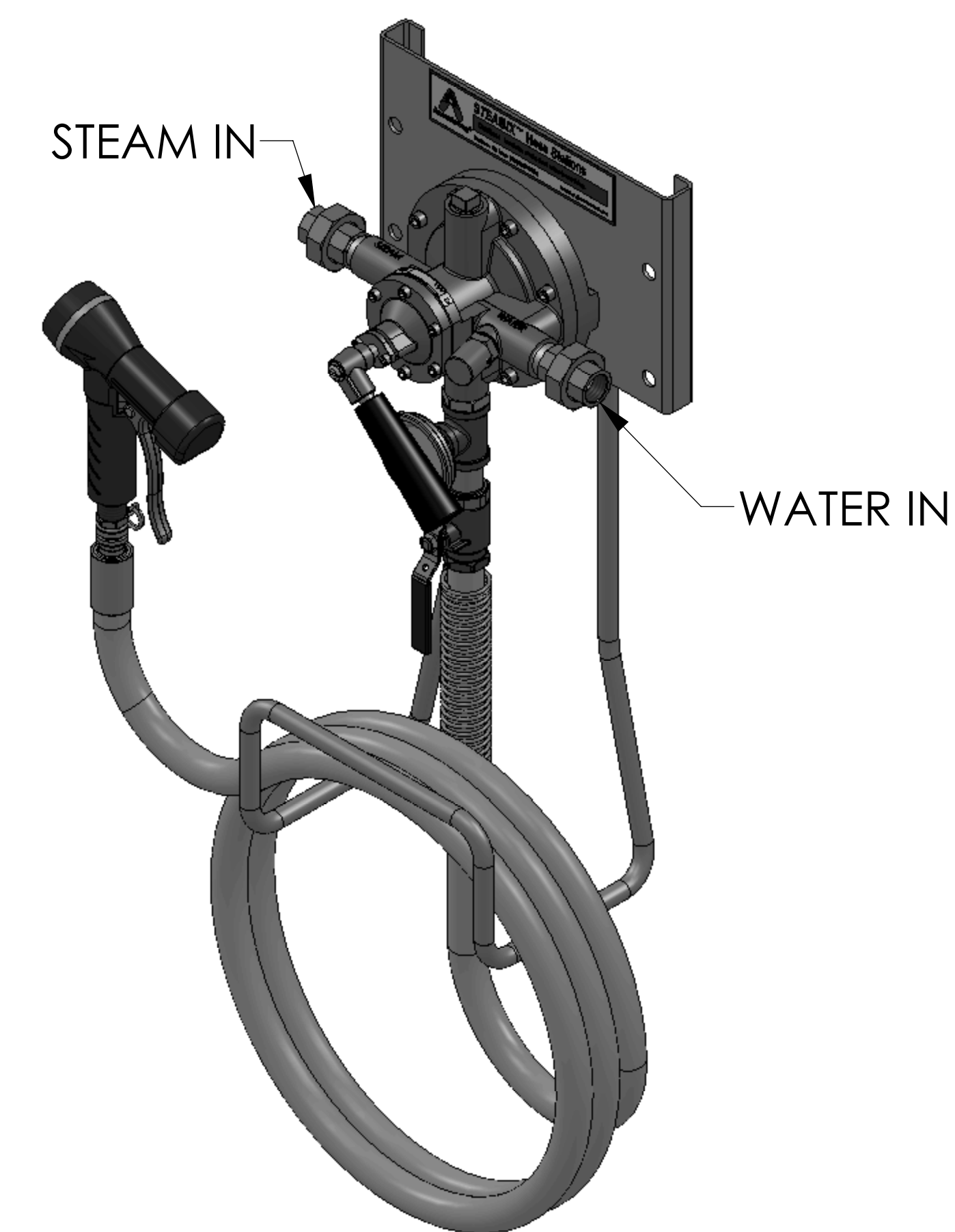
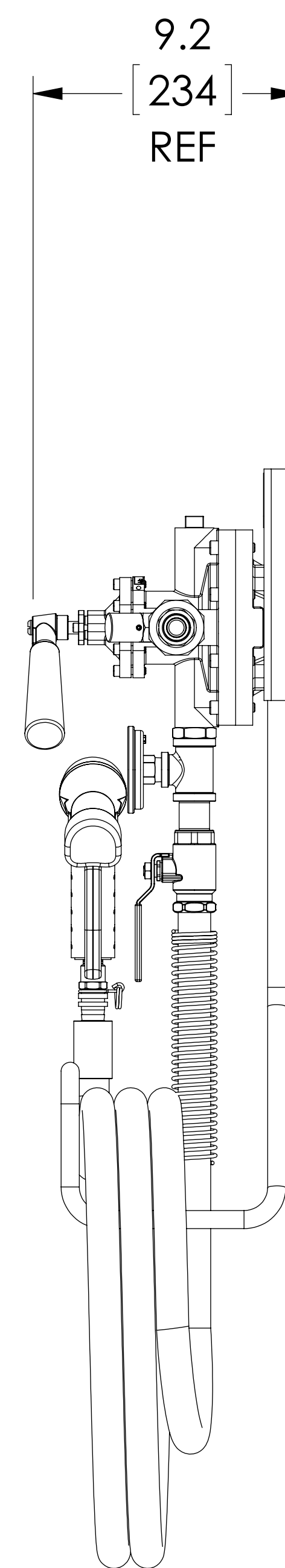
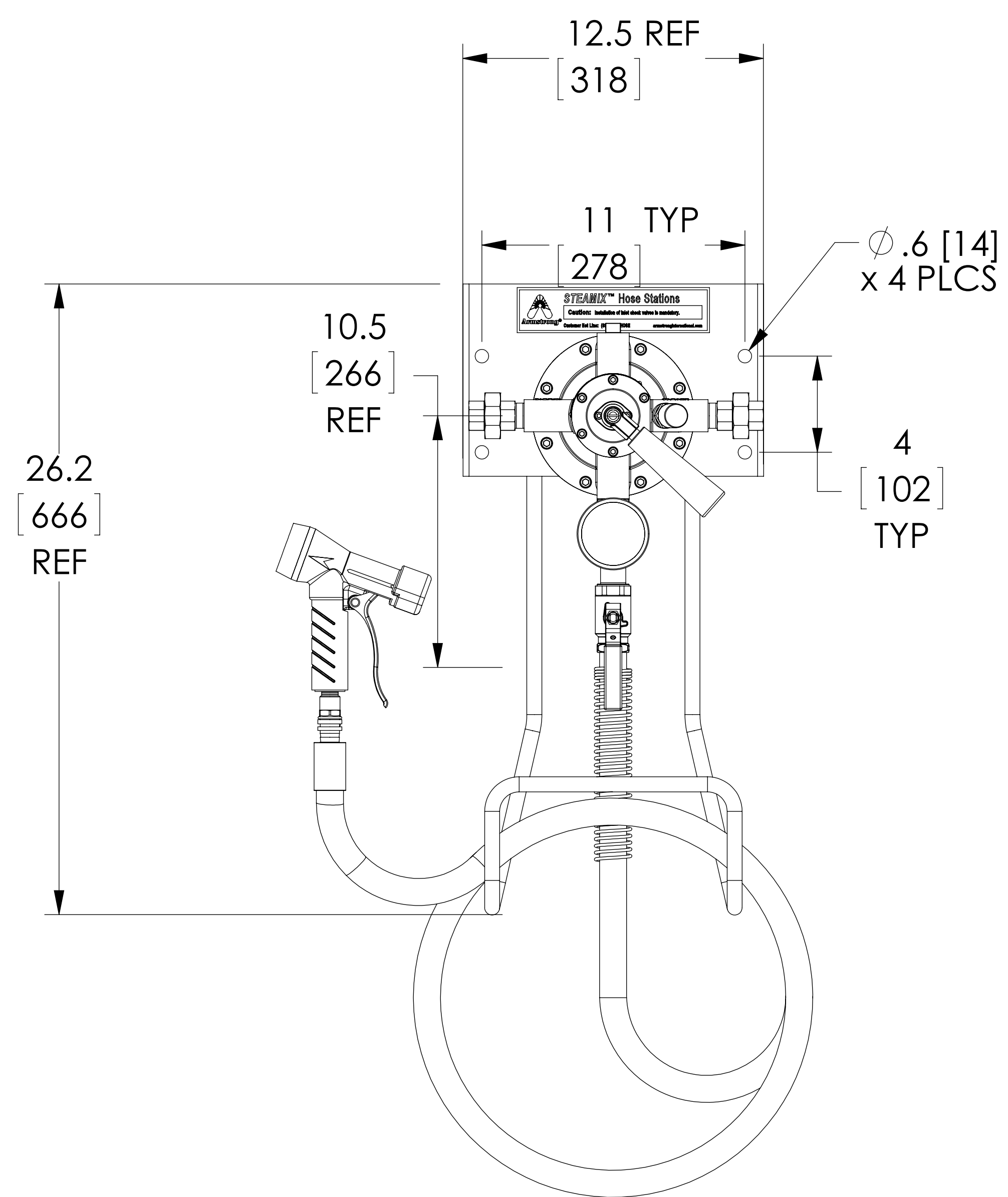
ARMSTRONG INTERNATIONAL
 Copyright © 2010 ARMSTRONG INTERNATIONAL, INC.

2032 STEAMIX HOSE STATION STANDARD
 w/HOSE RACK

C-055842

MATERIAL	SHEET 1 OF 1
	REV A DWG. D16945

ITEM	MATERIAL
MIXING VALVE BODY	BRASS/STAINLESS STEEL
COMPONENTS	BRASS
BACKPLATE / RACK	STAINLESS STEEL
HOSE	YELLOW (190F [88C])
NOZZLE	BRASS
LOCATION	CONNECTION
STEAM IN CONNECTION	3/4" NPT
WATER IN CONNECTION	3/4" NPT
OUTLET	3/4" NPT

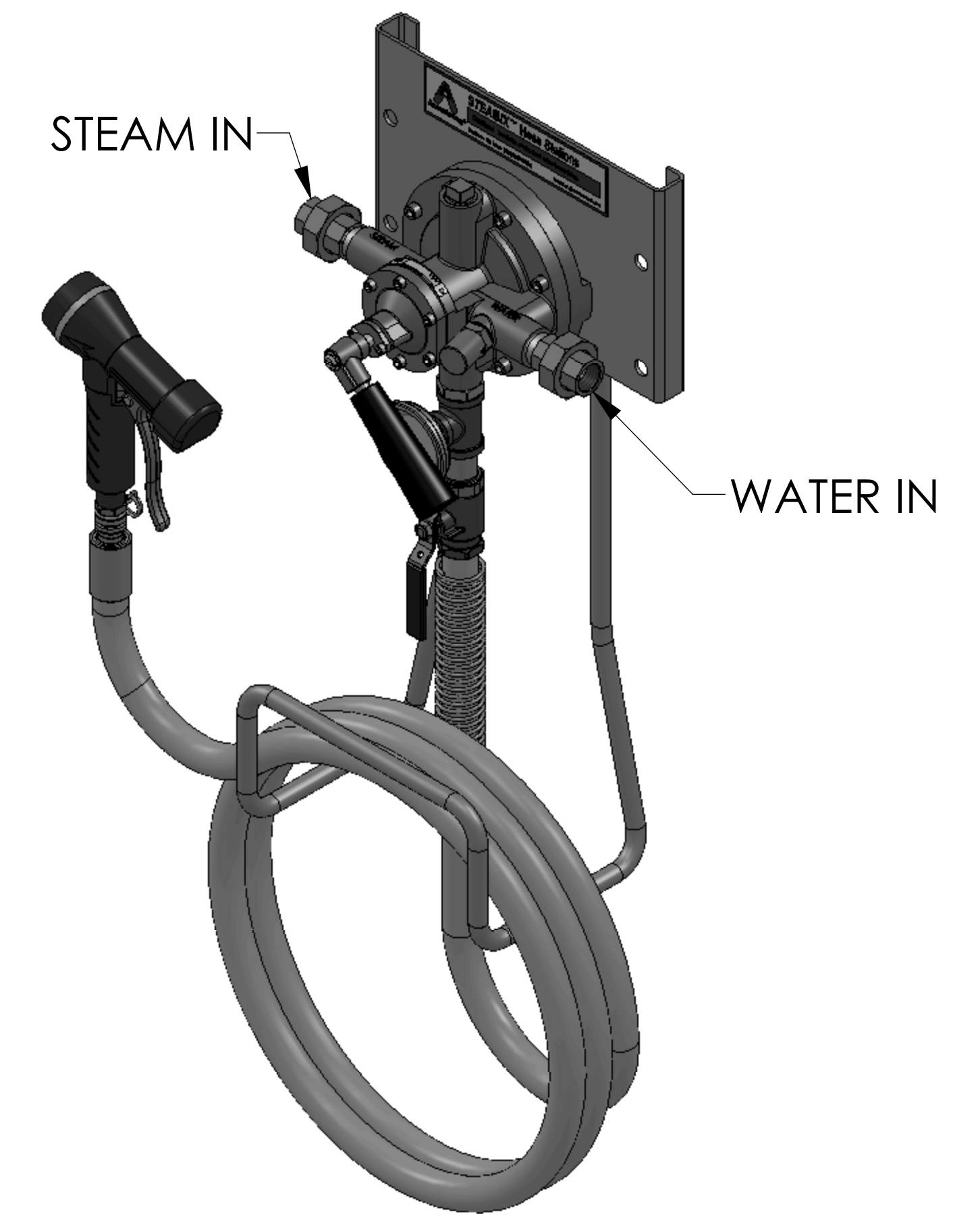
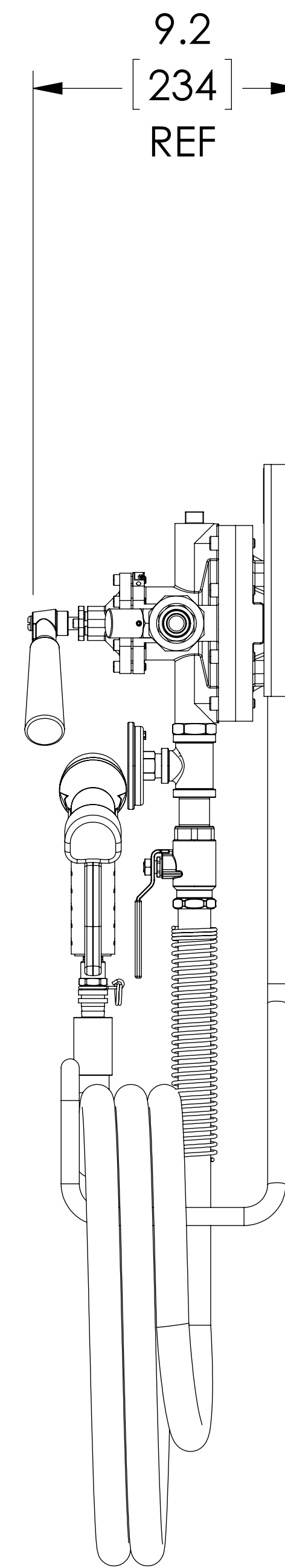
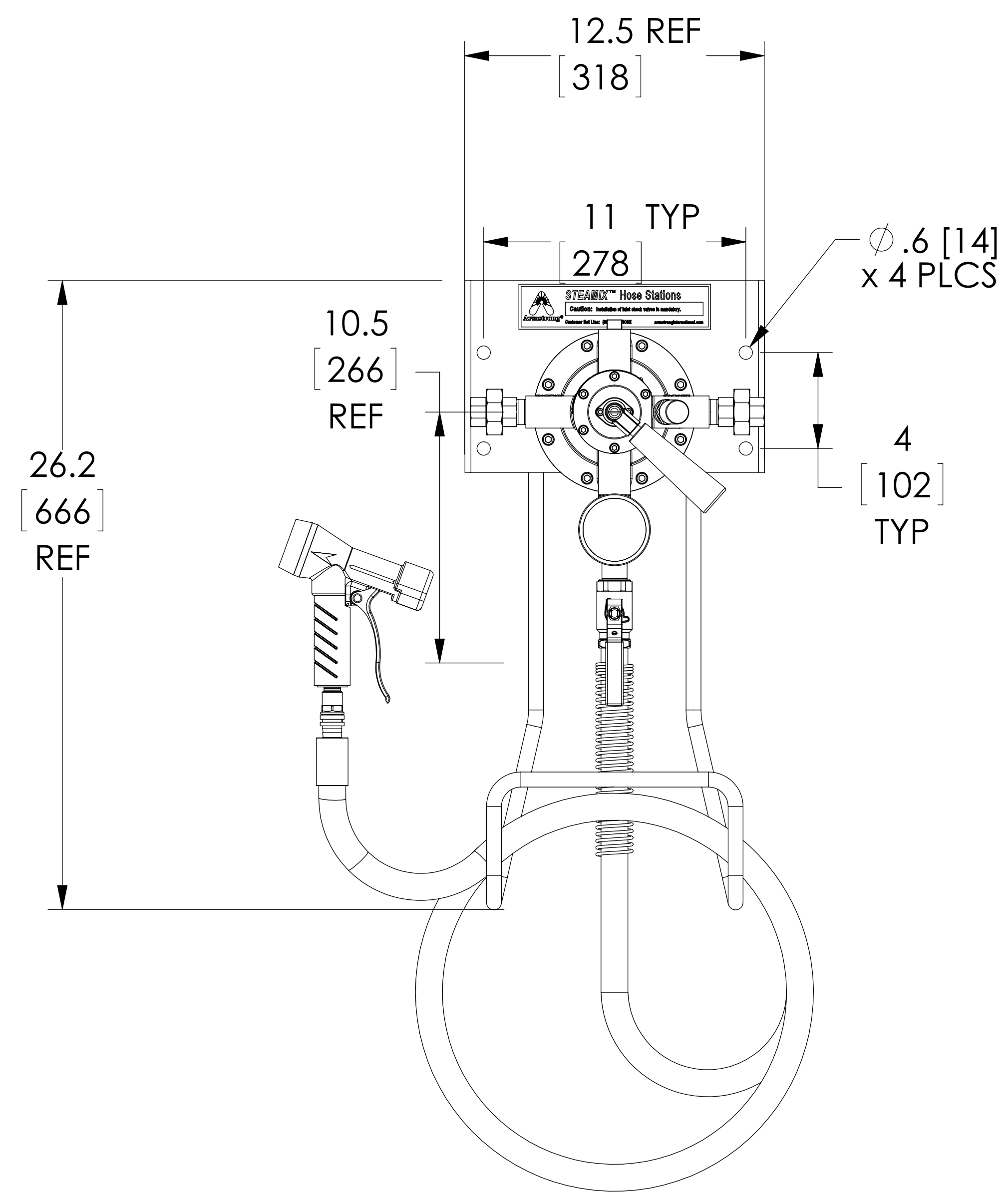


DO NOT SCALE DRAWING	
TOLERANCES UNLESS OTHERWISE SPECIFIED	
DIMENSIONING ENGLISH [mm]	
FRACTIONAL $\pm 1/64$	
ANGULAR: ± 2	
DECIMAL	IN. MM
.XXXX \pm .0005	----
.XXX \pm .005	.010
.XX \pm .015	.10
.X	.3

		NAME	DATE
DRAWN	CFG		
RELEASED			

ARMSTRONG INTERNATIONAL Copyright © 2010 ARMSTRONG INTERNATIONAL, INC.	
2033 3/4 NPT BRS STANDARD W/HOSE RACK 25 FT YEL HOSE 25 FT 038-10 STD	
C-055843	
MATERIAL	SHEET 1 OF 1
REV A	DWG. D16946

ITEM	MATERIAL
MIXING VALVE BODY	BRASS/STAINLESS STEEL
COMPONENTS	BRASS
BACKPLATE / RACK	STAINLESS STEEL
HOSE	YELLOW (190F [88C])
NOZZLE	BRASS
LOCATION	CONNECTION
STEAM IN CONNECTION	3/4" NPT
WATER IN CONNECTION	3/4" NPT
OUTLET	3/4" NPT



DO NOT SCALE DRAWING	
TOLERANCES UNLESS OTHERWISE SPECIFIED	
DIMENSIONING ENGLISH [mm]	
FRACTIONAL $\pm 1/64$	
ANGULAR: ± 2	
DECIMAL	IN. MM
.XXXX \pm	.0005 .010
.XXX \pm	.005 .010
.XX \pm	.015 .10
.X	.3

		NAME	DATE
DRAWN	CFG		
RELEASED			

ARMSTRONG INTERNATIONAL Copyright © 2010 ARMSTRONG INTERNATIONAL, INC.	
2033 3/4 NPT BRS STANDARD W/HOSE RACK 50 FT YEL HOSE 50 FT 038-10 STD	
C-055844	
MATERIAL	SHEET 1 OF 1
REV A	DWG. D16947