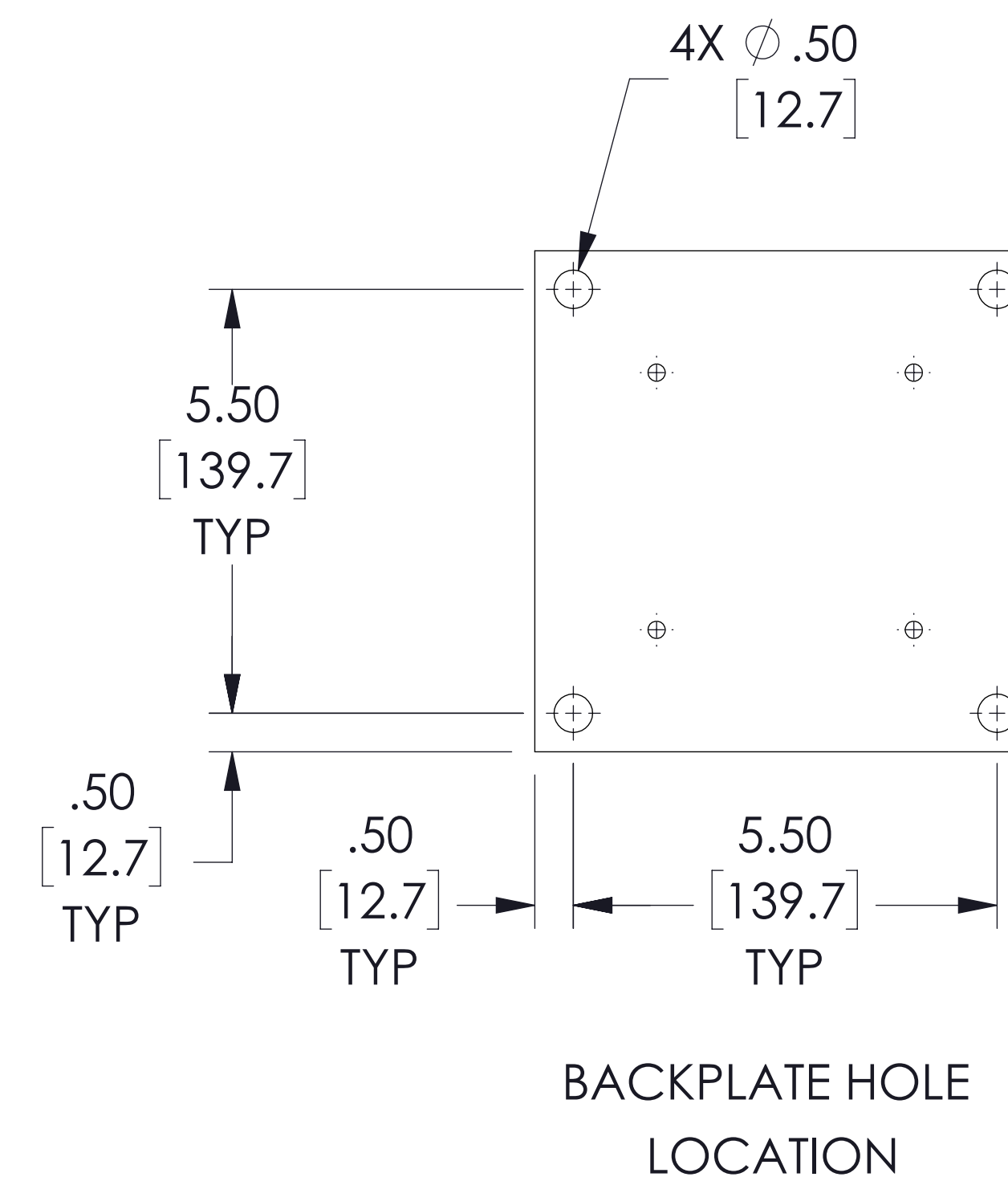
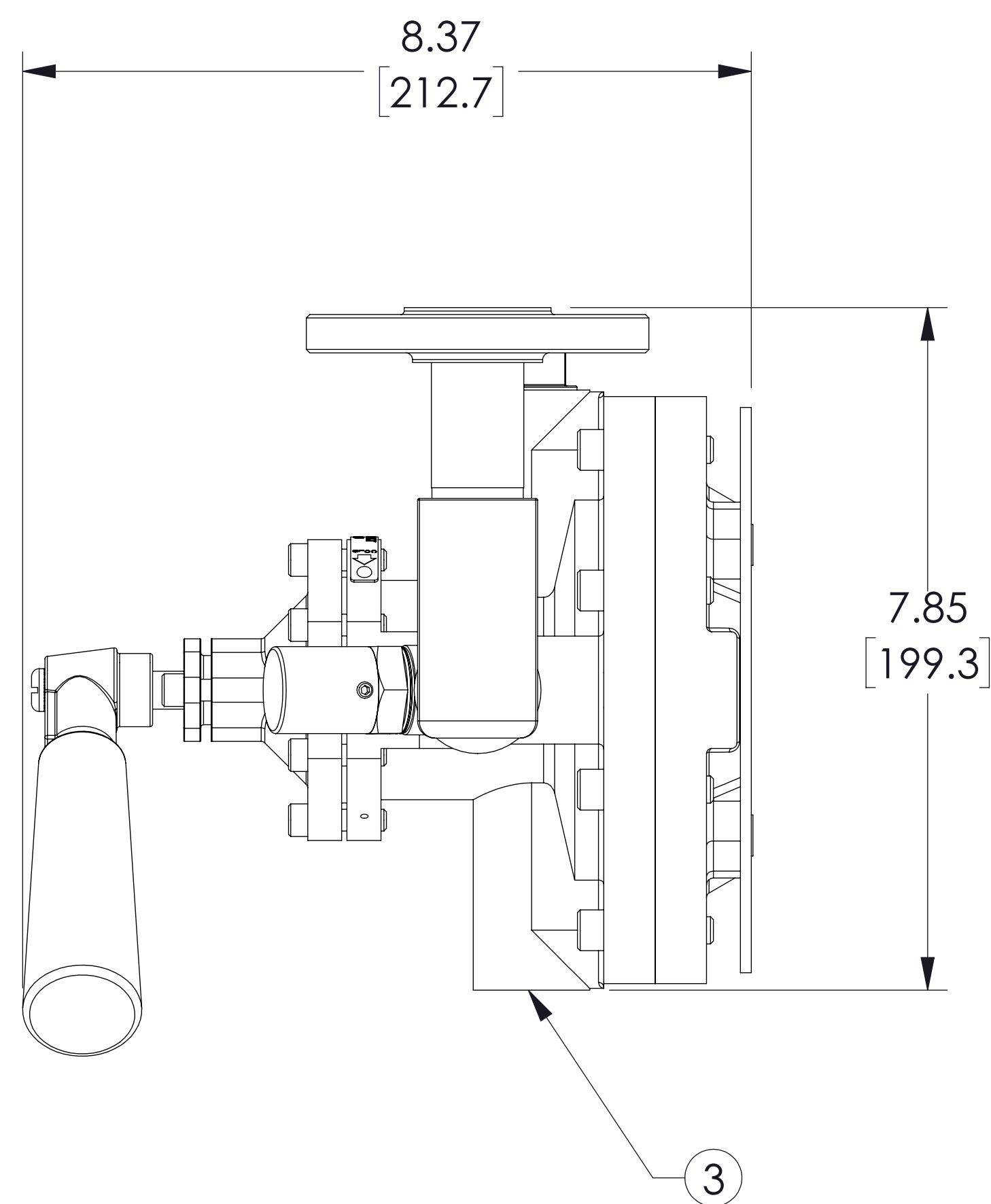
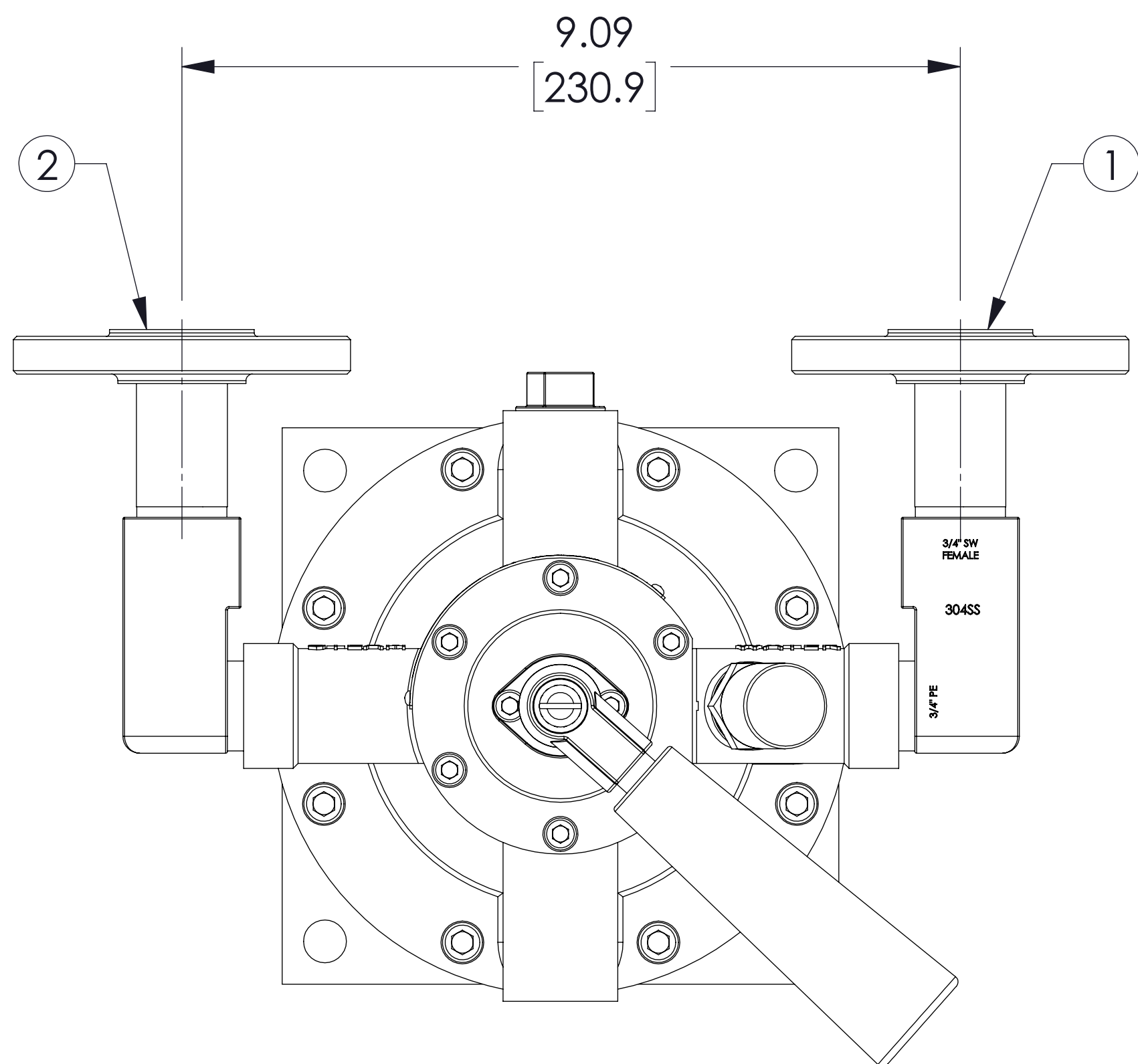


APPROVAL

BY: _____ DATE: _____

- APPROVED, PROCEED WITH FABRICATION
- APPROVED AS NOTED, PROCEED WITH FABRICATION IN ACCORDANCE WITH COMMENTS
- DISAPPROVED, DO NOT FABRICATE



ITEM	DESCRIPTION	CONNECTION
1	WATER INLET	3/4" FLG ANSI 150
2	STEAMINLET	3/4" FLG ANSI 150
3	HOT WATER OUTLET	3/4" NPT
ITEM	MATERIAL	
MIXING VALVE BODY	STAINLESS STEEL	
COMPONENTS	STAINLESS STEEL	
BACKPLATE/RACK	STAINLESS STEEL	
HOSE	N/A	
NOZZLE	N/A	

NOTES:

1. REFERENCE ARMSTRONG DRAWING D152419

DO NOT SCALE DRAWING																
TOLERANCES UNLESS OTHERWISE SPECIFIED																
DIMENSIONING ENGLISH [mm]																
FRACTIONAL ± 1/64																
ANGULAR: ± 2																
DECIMAL	<table border="1"> <tr> <th></th> <th>IN.</th> <th>MM</th> </tr> <tr> <td>.XXXX ±</td> <td>.0005</td> <td>----</td> </tr> <tr> <td>.XXX ±</td> <td>.005</td> <td>.010</td> </tr> <tr> <td>.XX ±</td> <td>.015</td> <td>.10</td> </tr> <tr> <td>.X</td> <td>-----</td> <td>.3</td> </tr> </table>		IN.	MM	.XXXX ±	.0005	----	.XXX ±	.005	.010	.XX ±	.015	.10	.X	-----	.3
	IN.	MM														
.XXXX ±	.0005	----														
.XXX ±	.005	.010														
.XX ±	.015	.10														
.X	-----	.3														

Armstrong

NAME	DATE
KRISHNA BALA	08/16/2022
DRAWN	
RELEASED	

ARMSTRONG INTERNATIONAL
Copyright © 2010 ARMSTRONG INTERNATIONAL, INC.

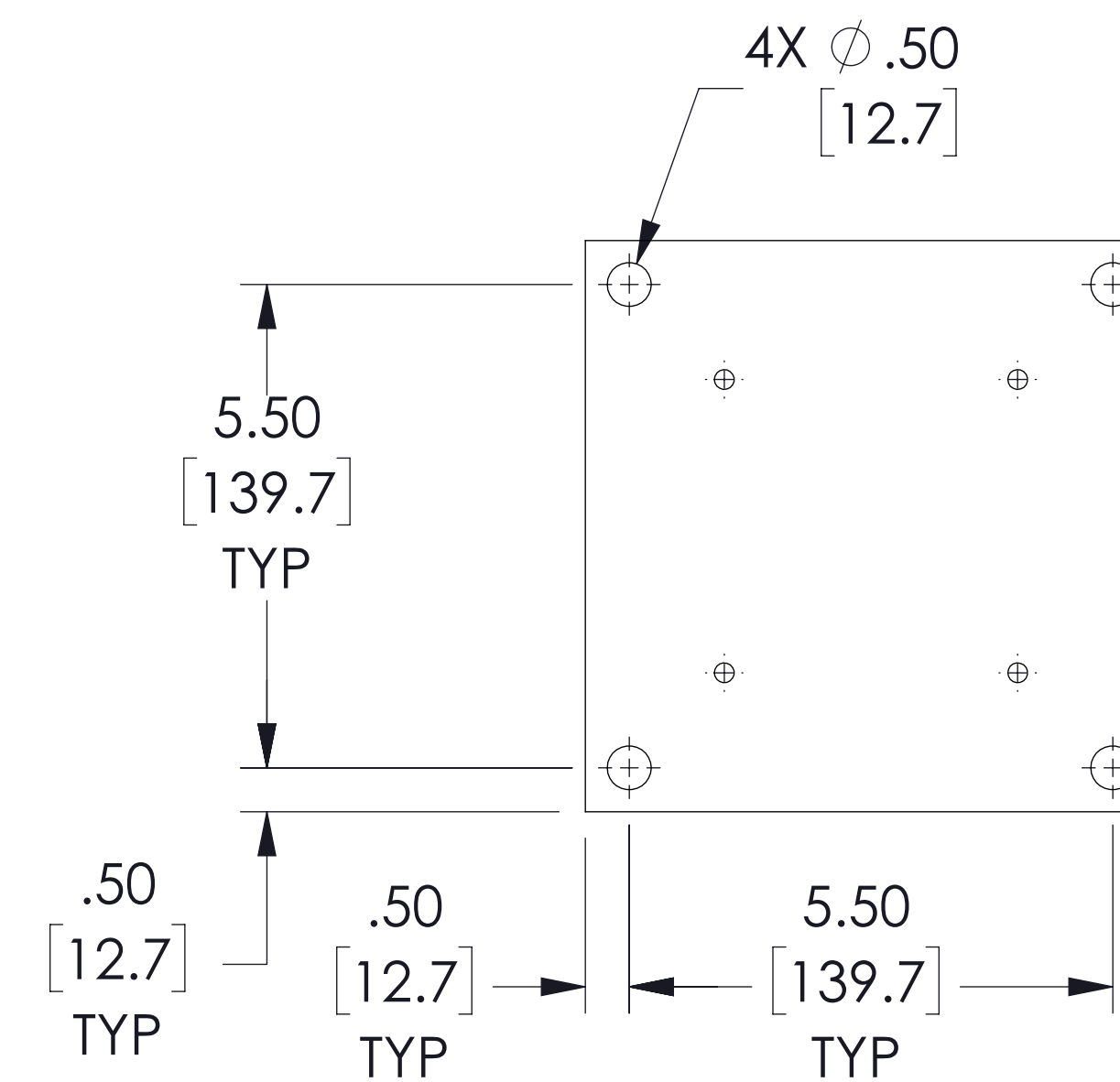
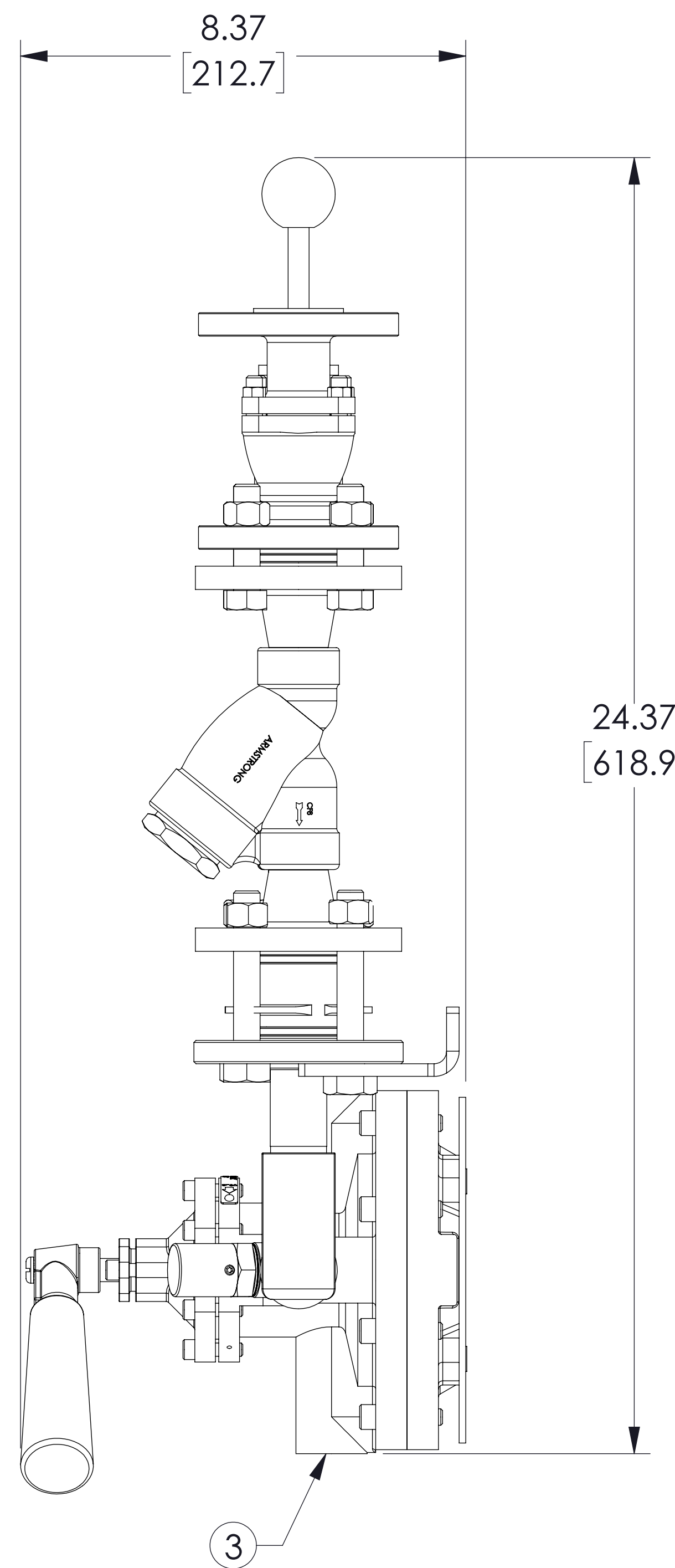
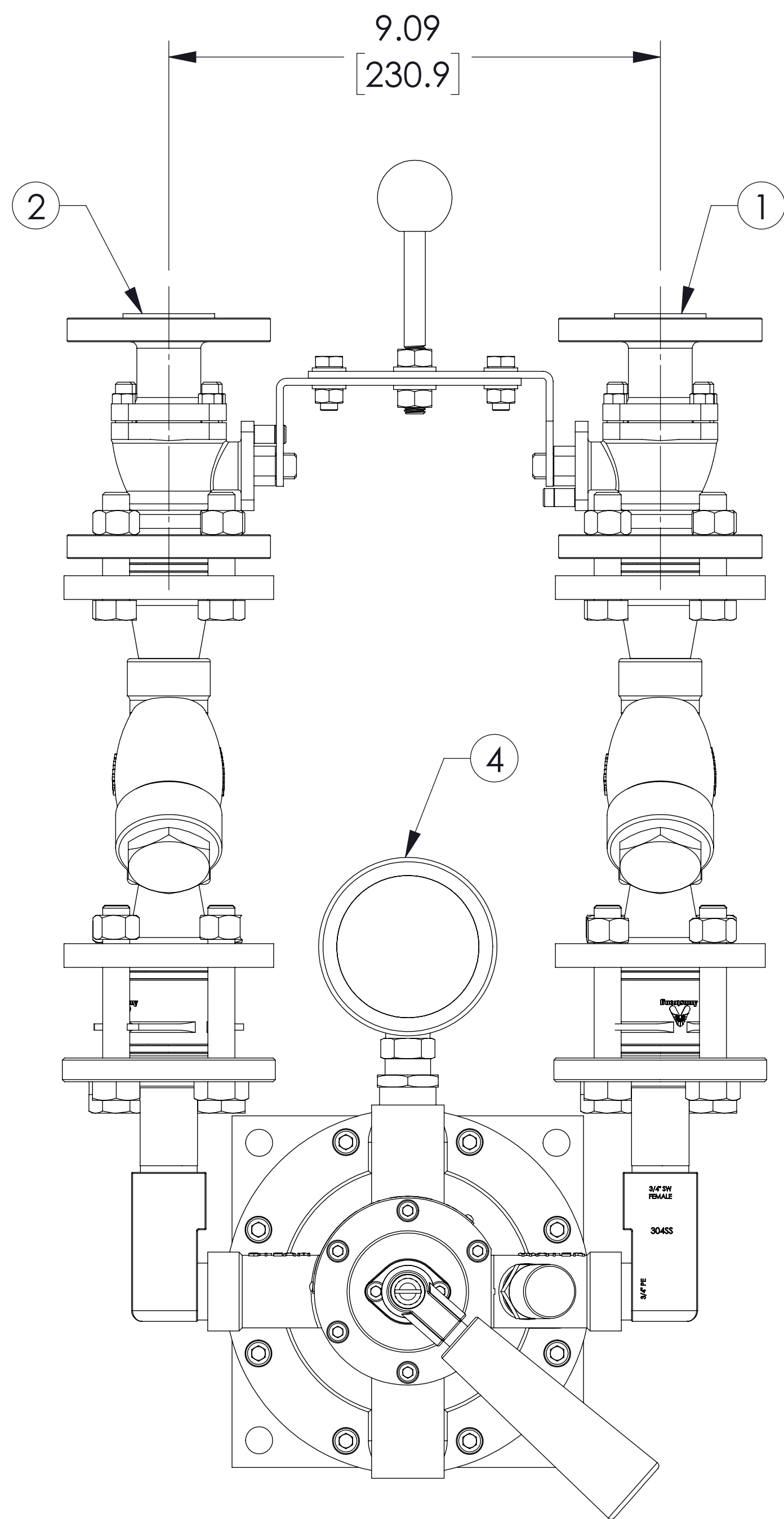
2030SSF 3/4 150RF FL INL X 3/4 NPT OUT

MATERIAL	SHEET 1 OF 1
CN79818	REV A DWG. SALES

APPROVAL

BY: _____ DATE: _____

- APPROVED, PROCEED WITH FABRICATION
- APPROVED AS NOTED, PROCEED WITH FABRICATION IN ACCORDANCE WITH COMMENTS
- DISAPPROVED, DO NOT FABRICATE



BACKPLATE HOLE LOCATION

ITEM	DESCRIPTION	CONNECTION
1	WATER INLET	3/4" FLG ANSI 150
2	STEAMINLET	3/4" FLG ANSI 150
3	HOT WATER OUTLET	3/4" NPT
4	THERMOMETER	1/2" NPT
ITEM	MATERIAL	
	MIXING VALVE BODY	STAINLESS STEEL
	COMPONENTS	STAINLESS STEEL
	BACKPLATE/RACK	STAINLESS STEEL
	HOSE	N/A
	NOZZLE	N/A

NOTES:

1. REFERENCE ARMSTRONG DRAWING D152420

DO NOT SCALE DRAWING																	
TOLERANCES UNLESS OTHERWISE SPECIFIED																	
DIMENSIONING ENGLISH [mm]																	
FRACTIONAL ± 1/64																	
ANGULAR: ± 2																	
DECIMAL	<table border="1"> <tr> <td>.XXXX</td> <td>±</td> <td>.0005</td> <td>----</td> </tr> <tr> <td>.XXX</td> <td>±</td> <td>.005</td> <td>.010</td> </tr> <tr> <td>.XX</td> <td>±</td> <td>.015</td> <td>.10</td> </tr> <tr> <td>.X</td> <td>-----</td> <td>.3</td> <td></td> </tr> </table>	.XXXX	±	.0005	----	.XXX	±	.005	.010	.XX	±	.015	.10	.X	-----	.3	
.XXXX	±	.0005	----														
.XXX	±	.005	.010														
.XX	±	.015	.10														
.X	-----	.3															

NAME	DATE
KRISHNA BALA	08/16/2022
DRAWN	
RELEASED	

ARMSTRONG INTERNATIONAL
Copyright © 2010 ARMSTRONG INTERNATIONAL, INC.

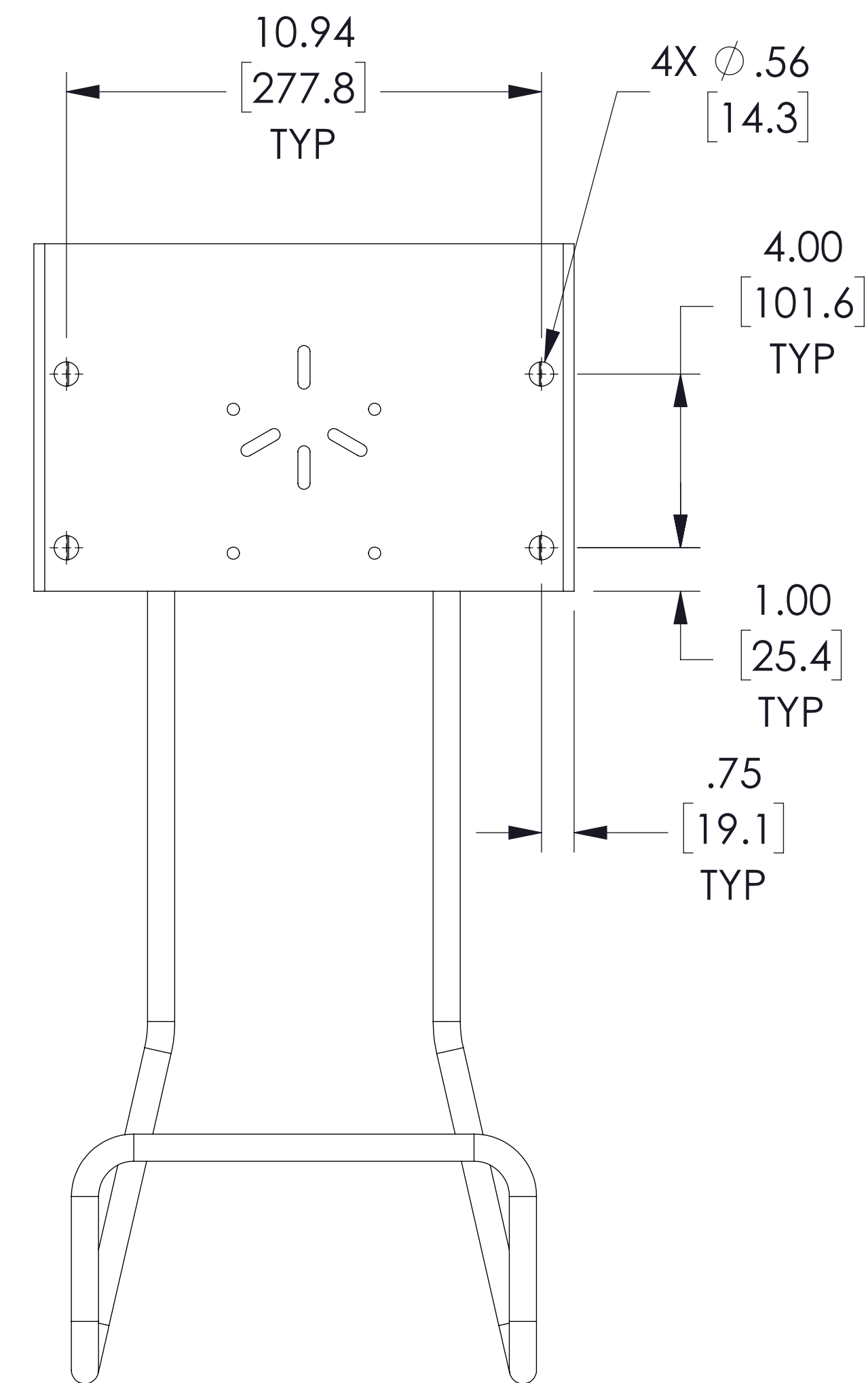
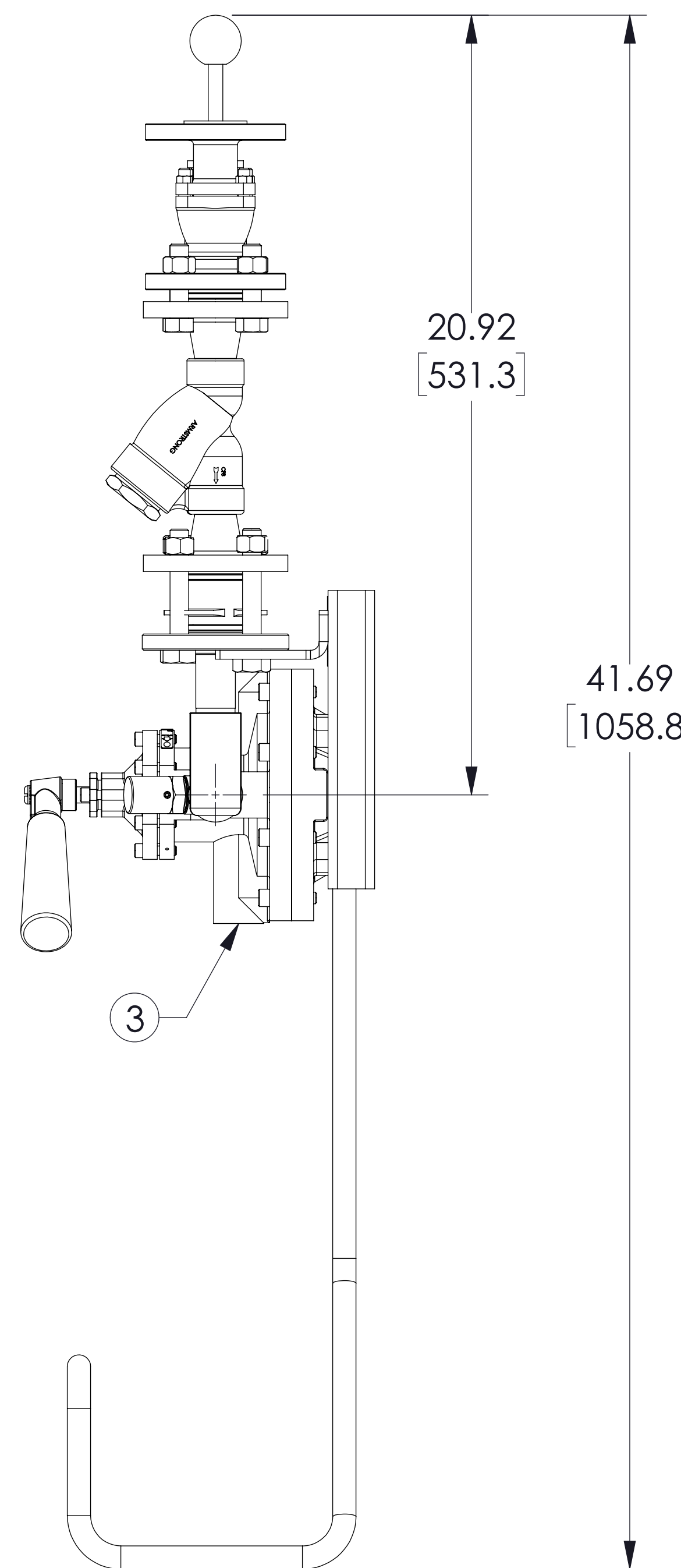
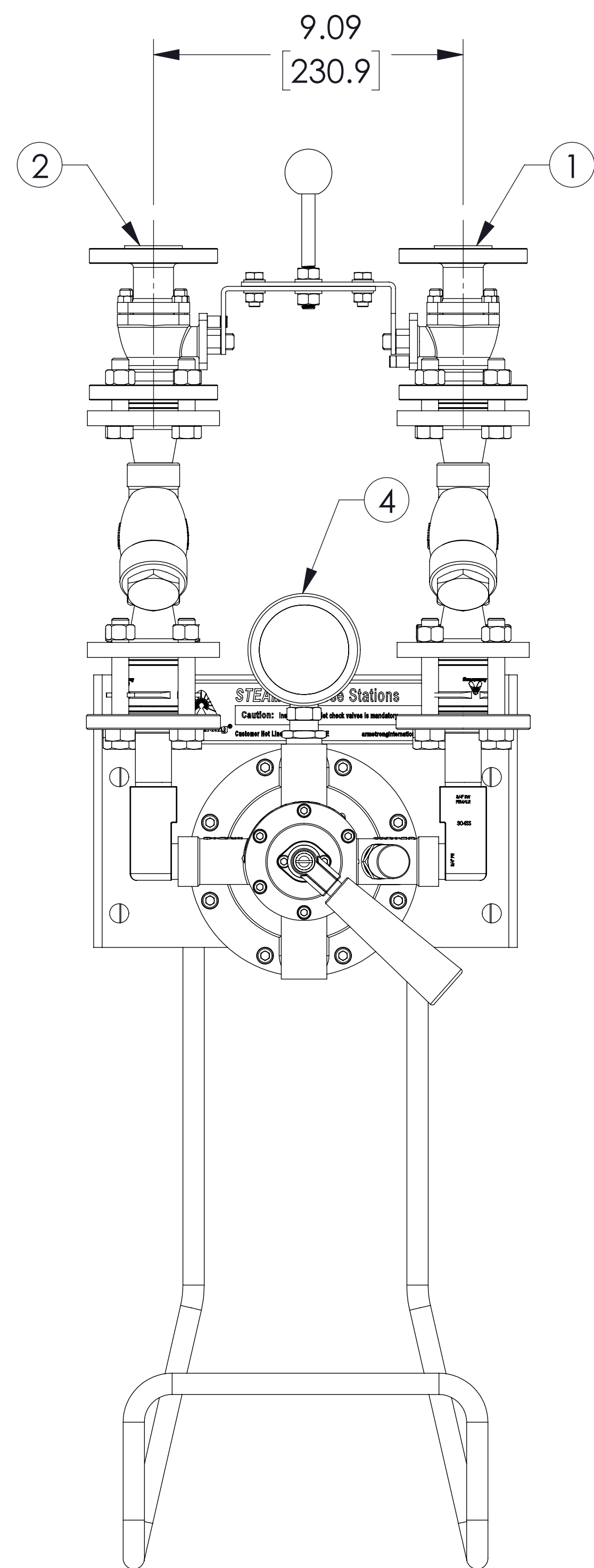
2031SSF 3/4 150RF FL SS

MATERIAL	SHEET 1 OF 1
CN79818	REV A DWG. SALES

APPROVAL

BY: _____ DATE: _____

- APPROVED, PROCEED WITH FABRICATION
- APPROVED AS NOTED, PROCEED WITH FABRICATION IN ACCORDANCE WITH COMMENTS
- DISAPPROVED, DO NOT FABRICATE



HOSE RACK
HOLE LOCATIONS

ITEM	DESCRIPTION	CONNECTION
1	WATER INLET	3/4" FLG ANSI 150
2	STEAMINLET	3/4" FLG ANSI 150
3	HOT WATER OUTLET	3/4" NPT
4	THERMOMETER	1/2" NPT
ITEM	MATERIAL	
MIXING VALVE BODY	STAINLESS STEEL	
COMPONENTS	STAINLESS STEEL	
BACKPLATE/RACK	STAINLESS STEEL	
HOSE	N/A	
NOZZLE	N/A	

NOTES:

1. REFERENCE ARMSTRONG DRAWING D152421

DO NOT SCALE DRAWING																	
TOLERANCES UNLESS OTHERWISE SPECIFIED																	
DIMENSIONING ENGLISH [mm]																	
FRACTIONAL ± 1/64																	
ANGULAR: ± 2																	
DECIMAL	<table border="1"> <tr> <td>.XXXX</td> <td>±</td> <td>.0005</td> <td>----</td> </tr> <tr> <td>.XXX</td> <td>±</td> <td>.005</td> <td>.010</td> </tr> <tr> <td>.XX</td> <td>±</td> <td>.015</td> <td>.10</td> </tr> <tr> <td>.X</td> <td>-----</td> <td>.3</td> <td></td> </tr> </table>	.XXXX	±	.0005	----	.XXX	±	.005	.010	.XX	±	.015	.10	.X	-----	.3	
.XXXX	±	.0005	----														
.XXX	±	.005	.010														
.XX	±	.015	.10														
.X	-----	.3															

Armstrong[®]

	NAME	DATE
DRAWN	KRISHNA BALA	08/16/2022
RELEASED		

ARMSTRONG INTERNATIONAL
 Copyright © 2010 ARMSTRONG INTERNATIONAL, INC.
2032SSF 3/4 150RF FL SS W/ HOSE RACK

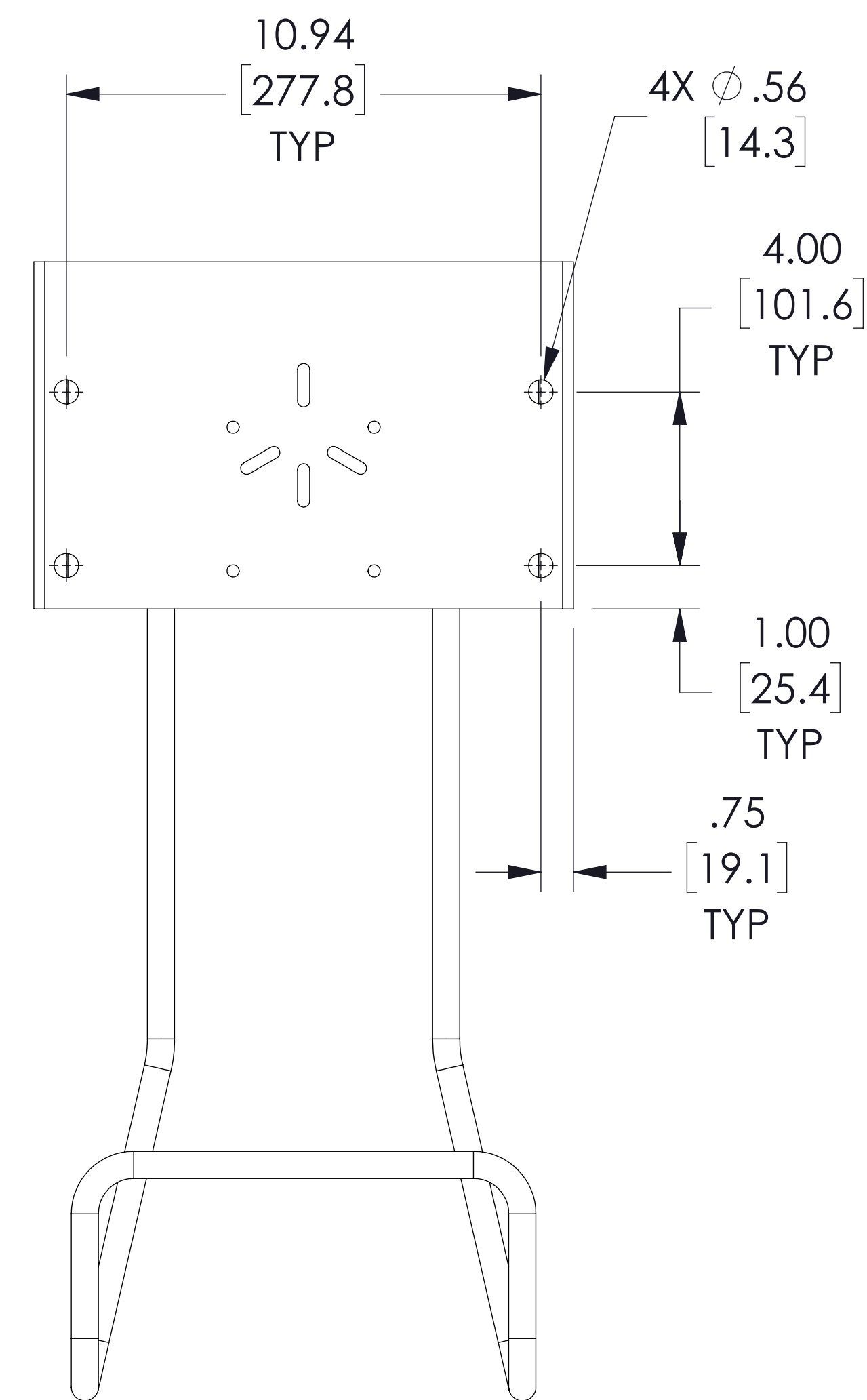
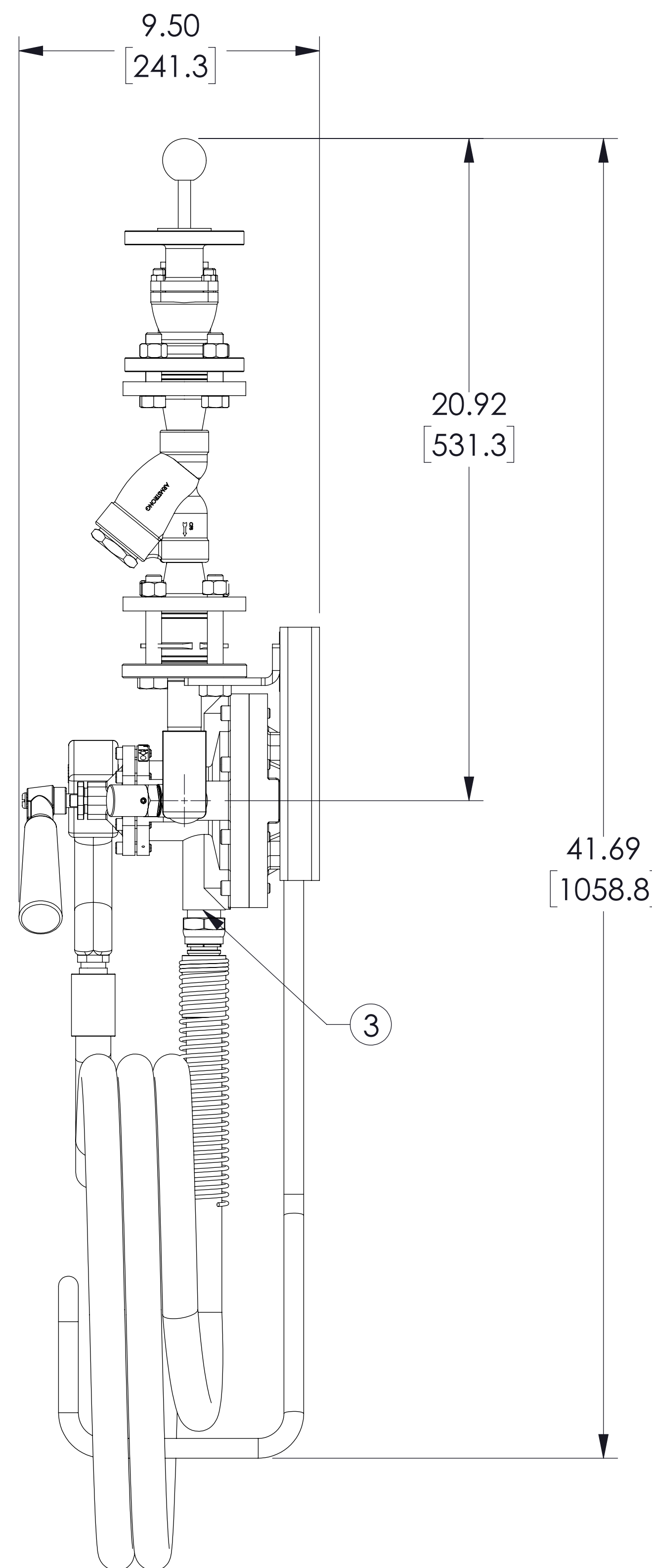
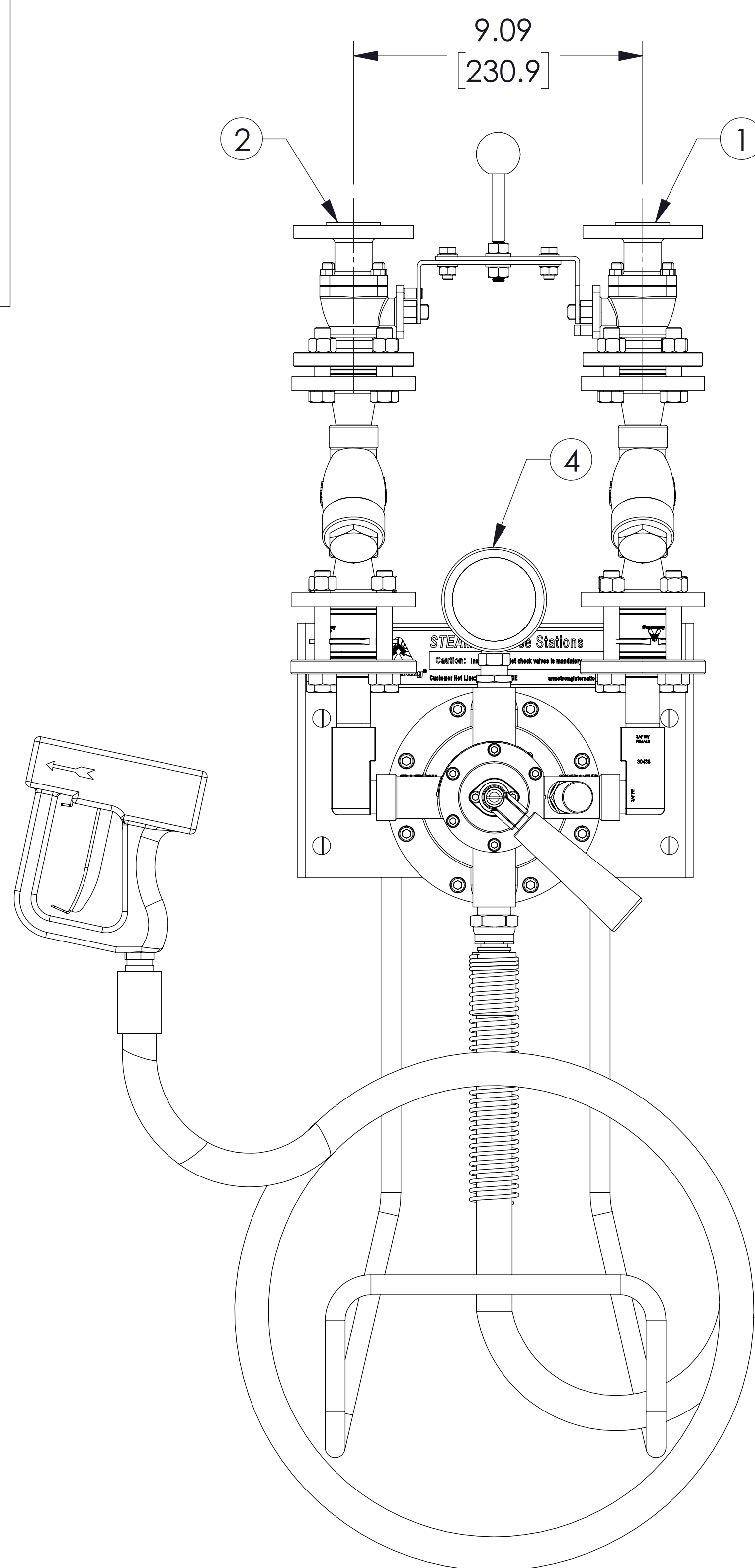
MATERIAL	CN79818	REV A	DWG. SALES
----------	---------	-------	------------

SHEET 1 OF 1

APPROVAL

BY: _____ DATE: _____

- APPROVED, PROCEED WITH FABRICATION
- APPROVED AS NOTED, PROCEED WITH FABRICATION IN ACCORDANCE WITH COMMENTS
- DISAPPROVED, DO NOT FABRICATE



HOSE RACK HOLE LOCATIONS

ITEM	DESCRIPTION	CONNECTION
1	WATER INLET	3/4" FLG ANSI 150
2	STEAM INLET	3/4" FLG ANSI 150
3	HOT WATER OUTLET	3/4" NPT
4	THERMOMETER	1/2" NPT
ITEM	MATERIAL	
	MIXING VALVE BODY	STAINLESS STEEL
	COMPONENTS	STAINLESS STEEL
	BACKPLATE/RACK	STAINLESS STEEL
	HOSE	YELLOW (212F [100C])
	NOZZLE	STAINLESS STEEL

NOTES:

1. REFERENCE ARMSTRONG DRAWING D152422

DO NOT SCALE DRAWING											
TOLERANCES UNLESS OTHERWISE SPECIFIED											
DIMENSIONING ENGLISH [mm]											
FRACTIONAL ± 1/64											
ANGULAR: ± 2											
DECIMAL	<table border="1"> <tr> <th>IN.</th> <th>MM</th> </tr> <tr> <td>.XXXX ± .0005</td> <td>-----</td> </tr> <tr> <td>.XXX ± .005</td> <td>.010</td> </tr> <tr> <td>.XX ± .015</td> <td>.10</td> </tr> <tr> <td>.X</td> <td>.3</td> </tr> </table>	IN.	MM	.XXXX ± .0005	-----	.XXX ± .005	.010	.XX ± .015	.10	.X	.3
IN.	MM										
.XXXX ± .0005	-----										
.XXX ± .005	.010										
.XX ± .015	.10										
.X	.3										

Armstrong

NAME	DATE
MANI	07/20/2022
RELEASED	

ARMSTRONG INTERNATIONAL
Copyright © 2010 ARMSTRONG INTERNATIONAL, INC.

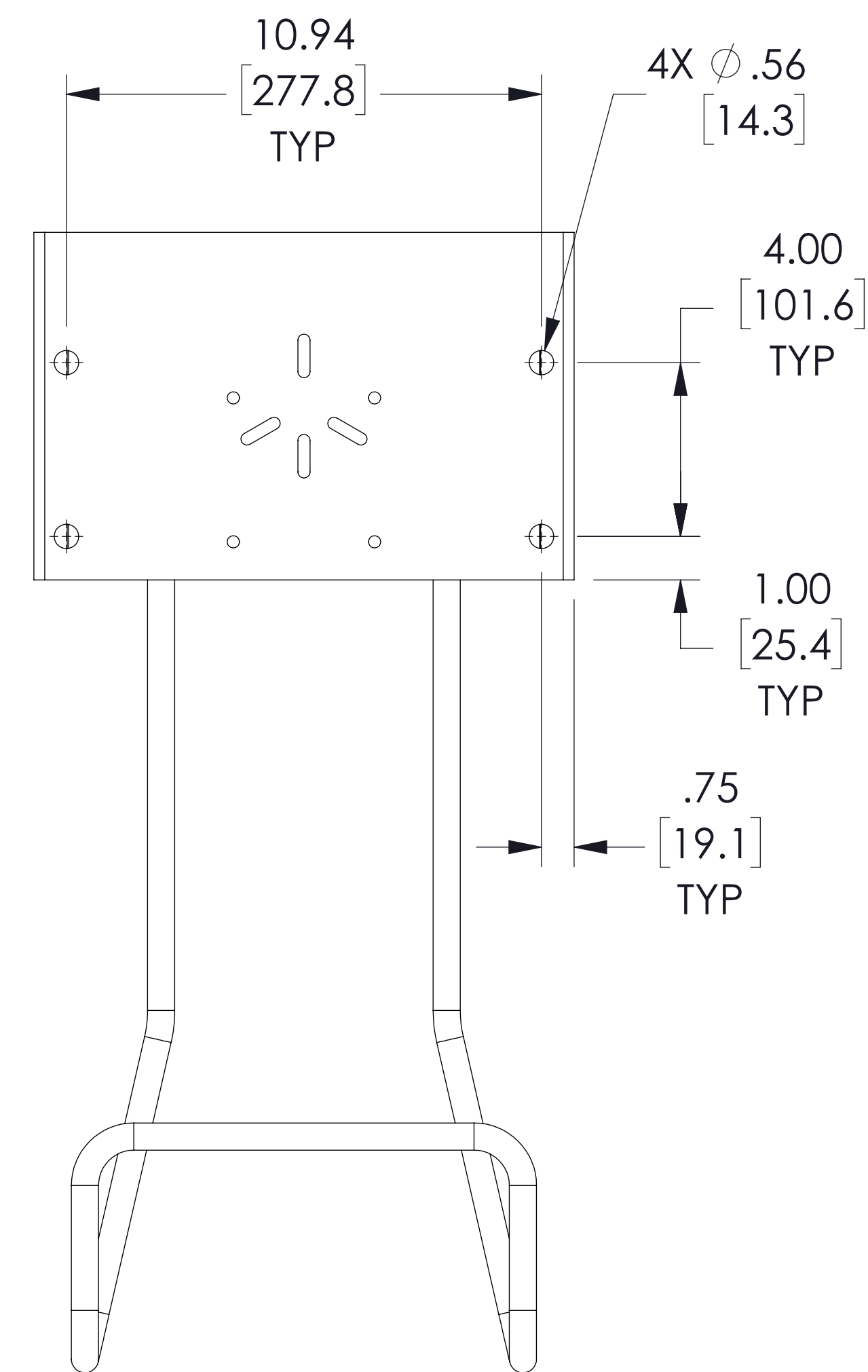
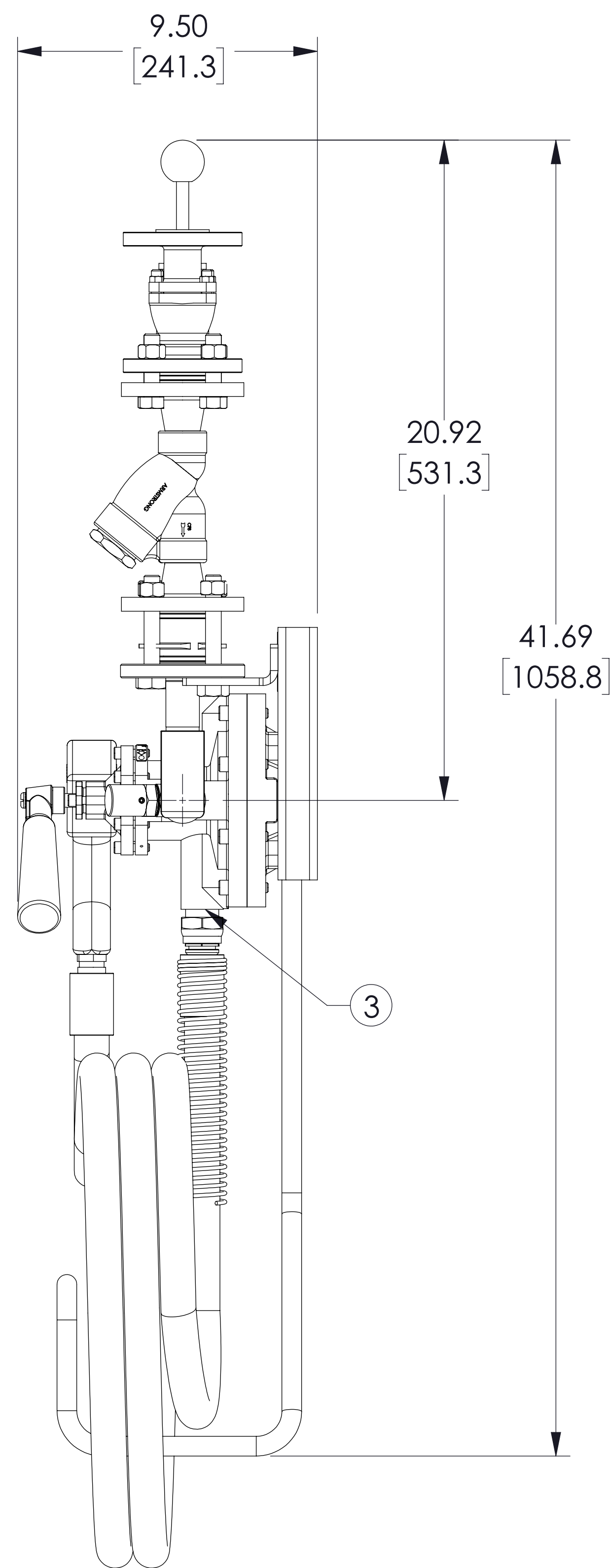
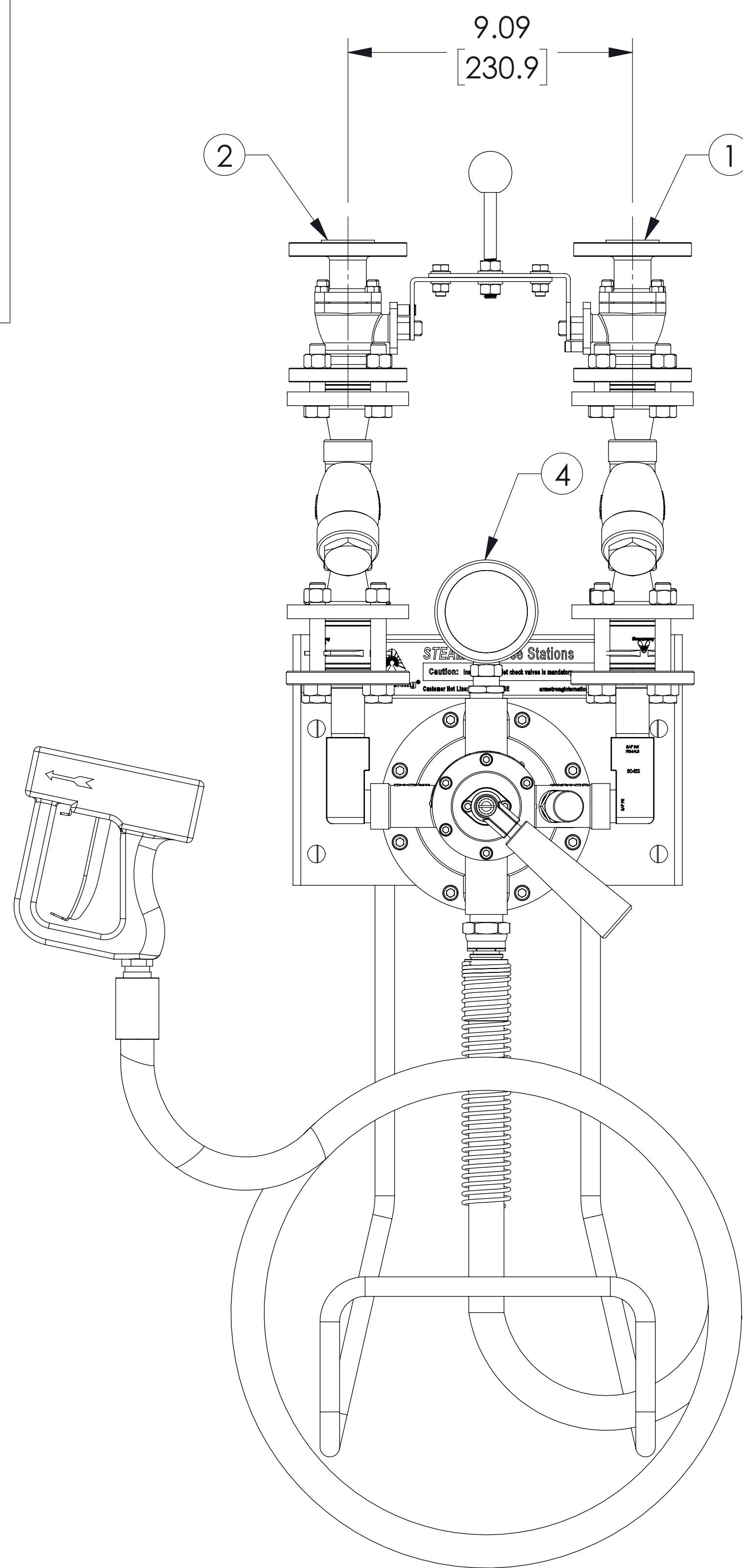
2033SSF 3/4 150RF FL SS W/ HOSE RACK 25 FT YEL HOSE TRIGGERGUARD SS

MATERIAL	SHEET 1 OF 1
CN79818	REV A DWG. SALES

APPROVAL

BY: _____ DATE: _____

- APPROVED, PROCEED WITH FABRICATION
- APPROVED AS NOTED, PROCEED WITH FABRICATION IN ACCORDANCE WITH COMMENTS
- DISAPPROVED, DO NOT FABRICATE



HOSE RACK HOLE LOCATIONS

ITEM	DESCRIPTION	CONNECTION
1	WATER INLET	3/4" FLG ANSI 150
2	STEAMINLET	3/4" FLG ANSI 150
3	HOT WATER OUTLET	3/4" NPT
4	THERMOMETER	1/2" NPT
ITEM	MATERIAL	
	MIXING VALVE BODY	STAINLESS STEEL
	COMPONENTS	STAINLESS STEEL
	BACKPLATE/RACK	STAINLESS STEEL
	HOSE	YELLOW (212F[100C])
	NOZZLE	STAINLESS STEEL

NOTES:

1. REFERENCE ARMSTRONG DRAWING D152423

DO NOT SCALE DRAWING																	
TOLERANCES UNLESS OTHERWISE SPECIFIED																	
DIMENSIONING ENGLISH [mm]																	
FRACTIONAL ± 1/64																	
ANGULAR: ± 2																	
DECIMAL	<table border="1"> <tr> <td>.XXXX</td> <td>±</td> <td>.0005</td> <td>----</td> </tr> <tr> <td>.XXX</td> <td>±</td> <td>.005</td> <td>.010</td> </tr> <tr> <td>.XX</td> <td>±</td> <td>.015</td> <td>.10</td> </tr> <tr> <td>.X</td> <td>-----</td> <td>.3</td> <td></td> </tr> </table>	.XXXX	±	.0005	----	.XXX	±	.005	.010	.XX	±	.015	.10	.X	-----	.3	
.XXXX	±	.0005	----														
.XXX	±	.005	.010														
.XX	±	.015	.10														
.X	-----	.3															

Armstrong

NAME	DATE
MANI	07/19/2022
RELEASED	

ARMSTRONG INTERNATIONAL
Copyright © 2010 ARMSTRONG INTERNATIONAL, INC.

2033SSF 3/4 150RF FL SS W/ HOSE RACK 50 FT YEL HOSE TRIGGERGUARD SS

MATERIAL	SHEET 1 OF 1
CN79818	REV A DWG. SALES