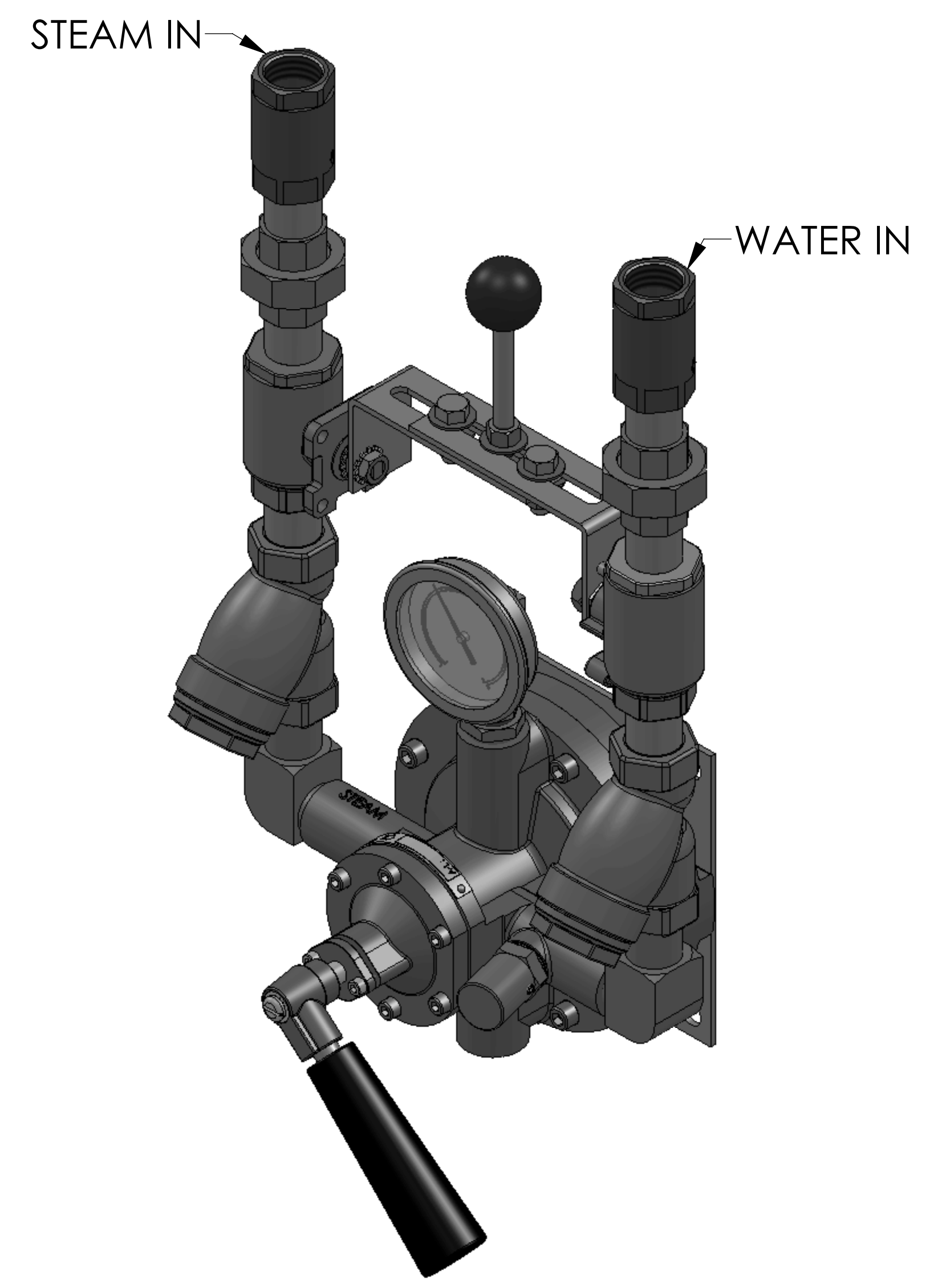
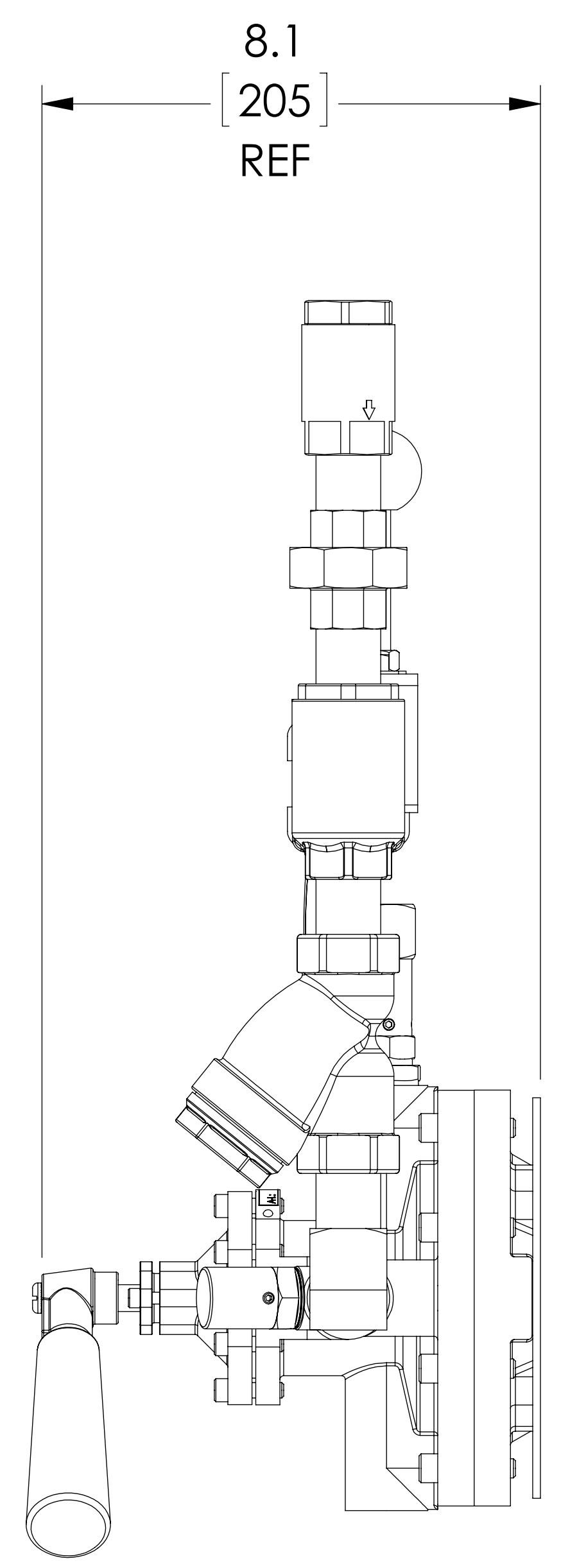
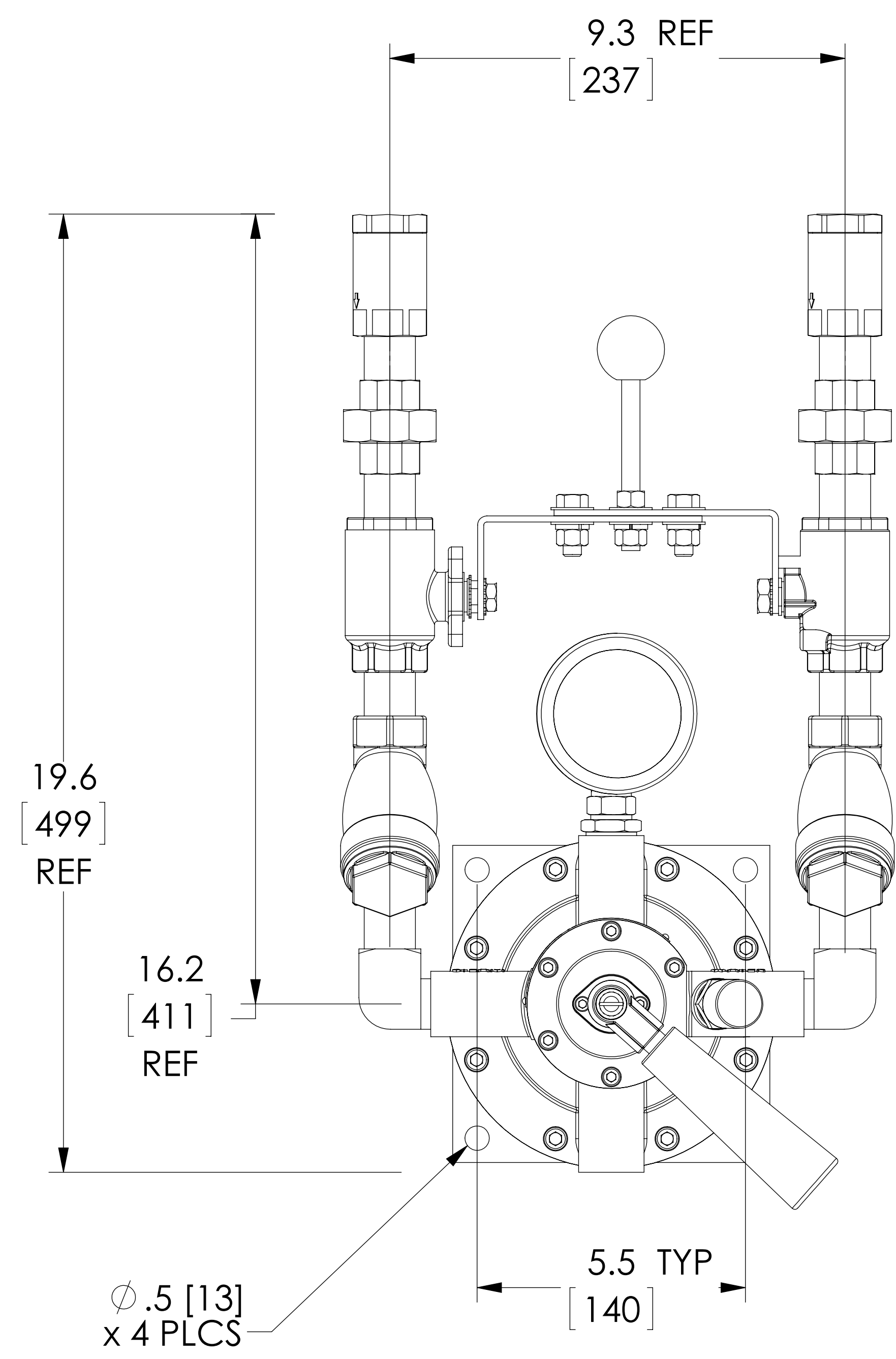


ITEM	MATERIAL
MIXING VALVE BODY	BRASS/STAINLESS STEEL
COMPONENTS	BRASS
BACKPLATE / RACK	STAINLESS STEEL
HOSE	N/A
NOZZLE	N/A
LOCATION	CONNECTION
STEAM IN CONNECTION	3/4" NPT
WATER IN CONNECTION	3/4" NPT
OUTLET	3/4" NPT



DO NOT SCALE DRAWING TOLERANCES UNLESS OTHERWISE SPECIFIED	
DIMENSIONING ENGLISH [mm]	
FRACTIONAL	± 1/64
ANGULAR:	± 2
DECIMAL	.XXXX ± .0005
	.XXX ± .005
	.XX ± .015
	.X ± .03

NAME	DATE
DRAWN	CFG
RELEASED	

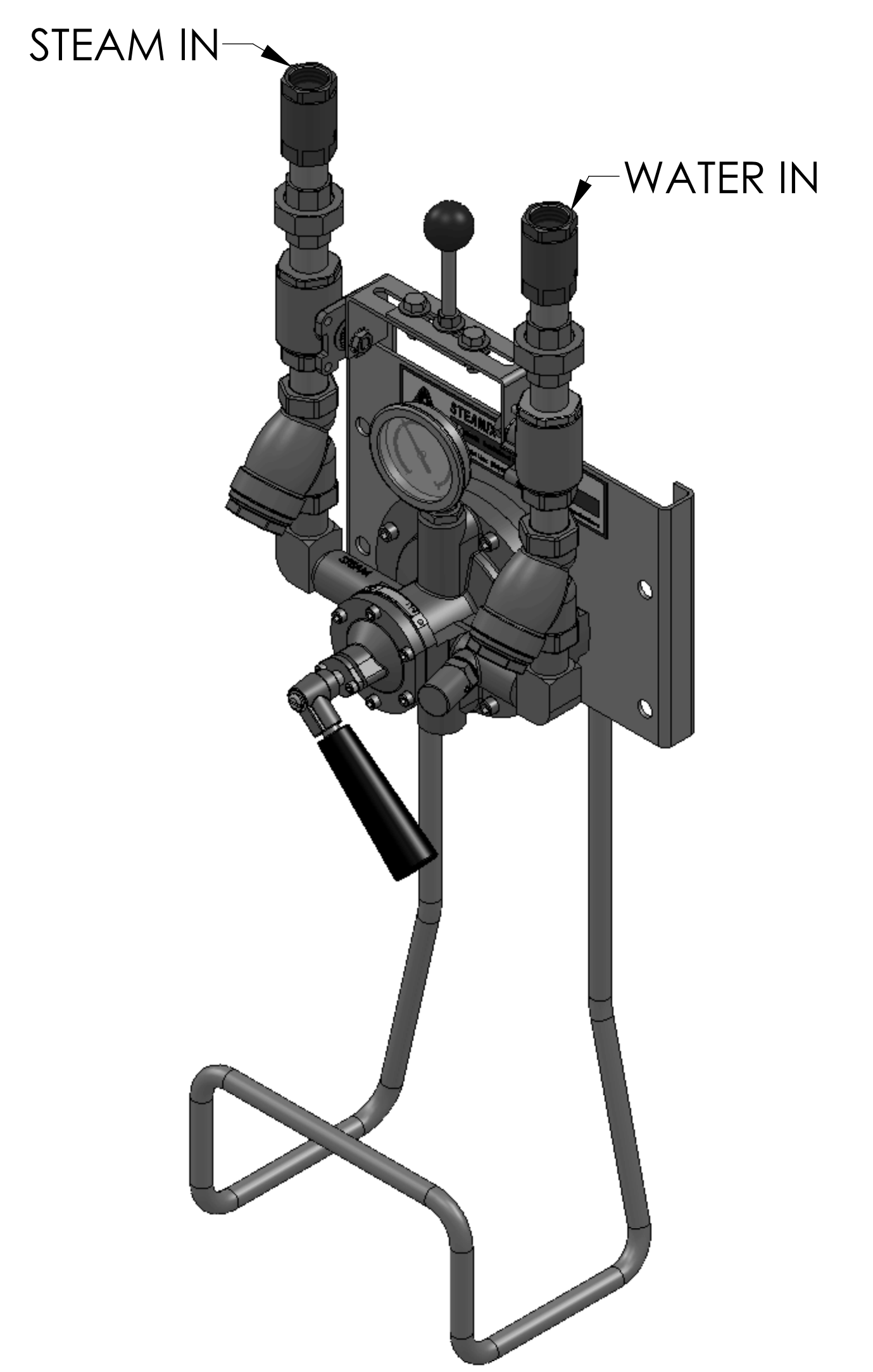
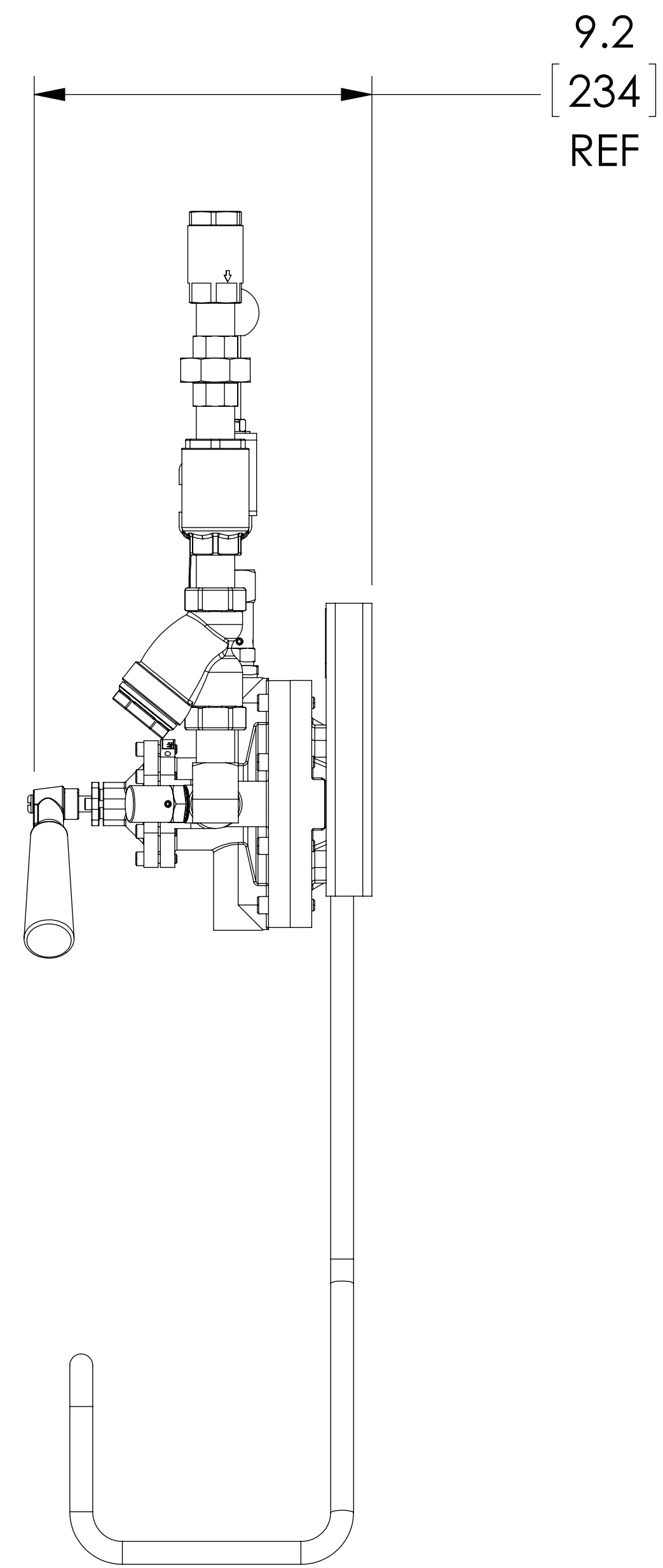
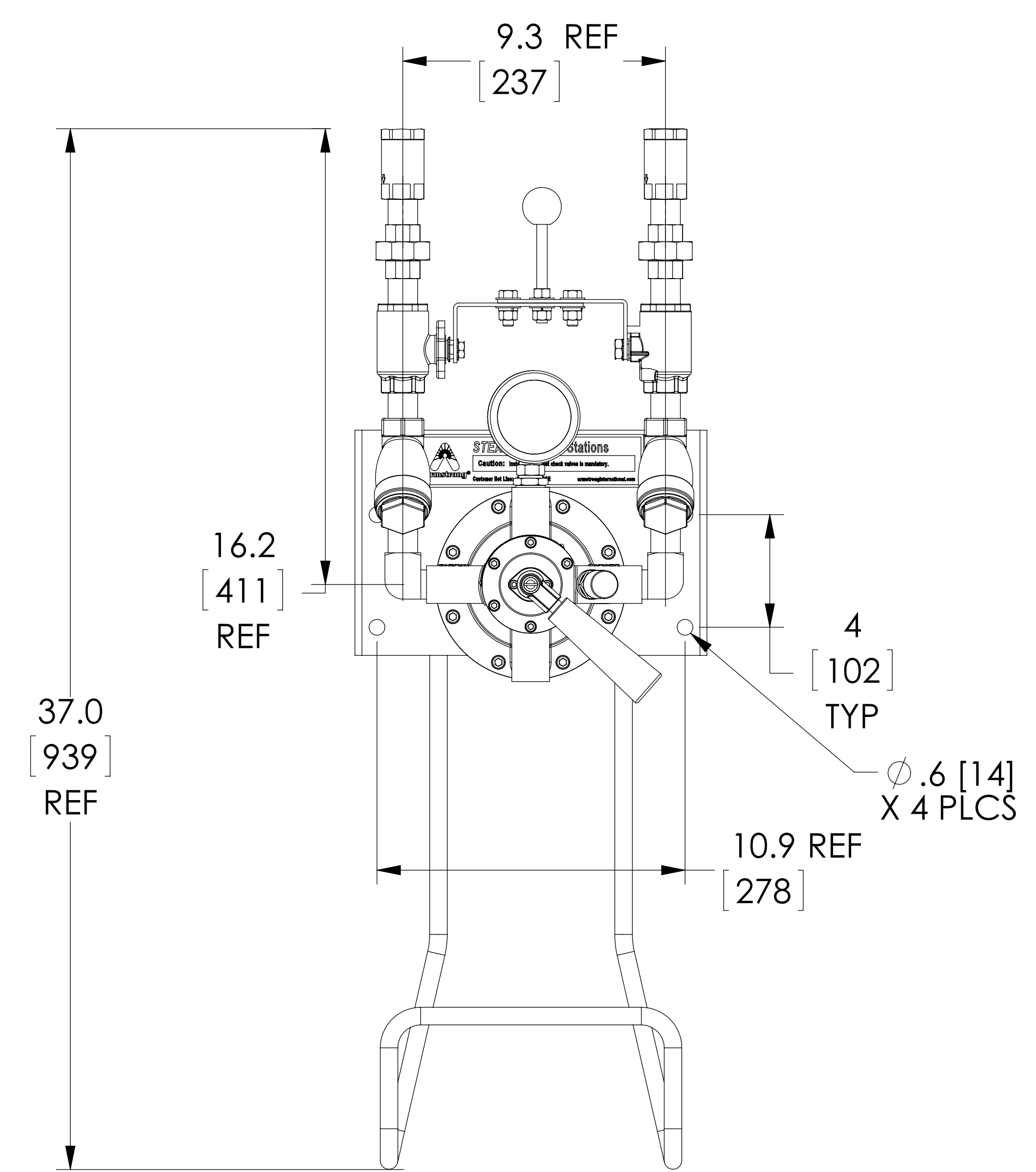
**ARMSTRONG INTERNATIONAL**  
Copyright © 2010 ARMSTRONG INTERNATIONAL, INC.

**2031P 3/4 NPT BRS PREMIUM**


C-055845

MATERIAL	SHEET 1 OF 1
REV A	DWG. D16939

ITEM	MATERIAL
MIXING VALVE BODY	BRASS/STAINLESS STEEL
COMPONENTS	BRASS
BACKPLATE / RACK	STAINLESS STEEL
HOSE	N/A
NOZZLE	N/A
LOCATION	CONNECTION
STEAM IN CONNECTION	3/4" NPT
WATER IN CONNECTION	3/4" NPT
OUTLET	3/4" NPT



DO NOT SCALE DRAWING TOLERANCES UNLESS OTHERWISE SPECIFIED	
DIMENSIONING ENGLISH [mm]	
FRACTIONAL	± 1/64
ANGULAR:	± 2
DECIMAL	.XXXX ± .0005
	.XXX ± .005
	.XX ± .015
	.X ± .03

  
**Armstrong**<sup>®</sup>

	NAME	DATE
DRAWN	CFG	
RELEASED		

**ARMSTRONG INTERNATIONAL**  
Copyright © 2010 ARMSTRONG INTERNATIONAL, INC.

**2032P STEAMIX HOSE STATION PREMIUM  
w/HOSE RACK**

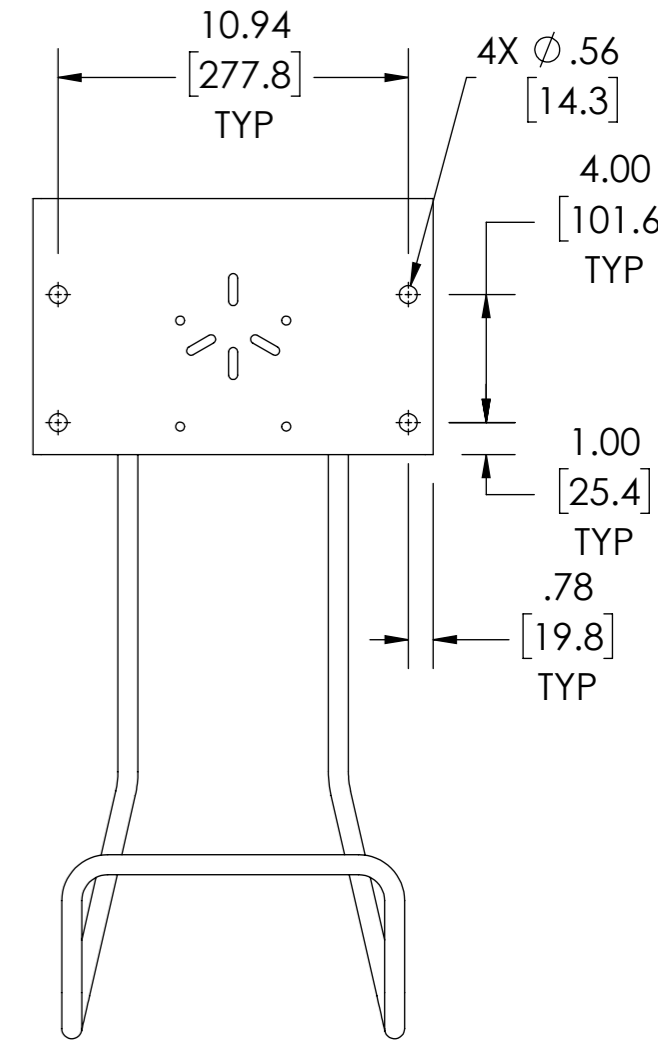
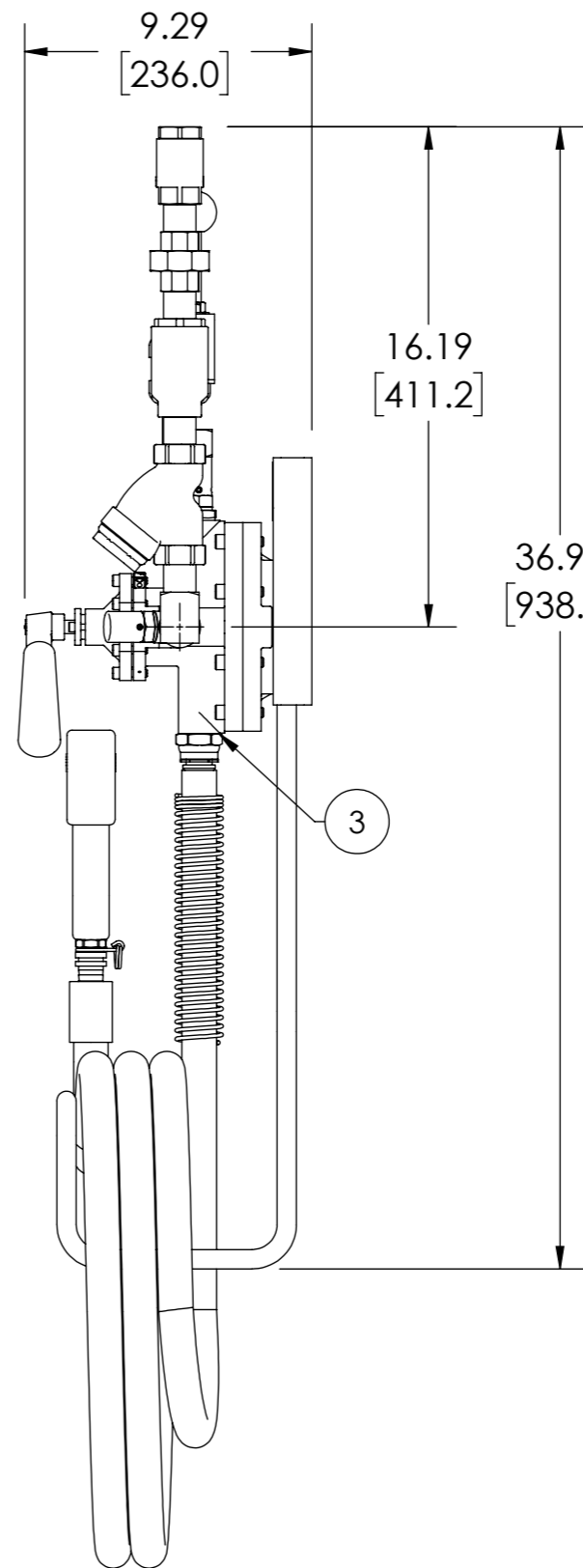
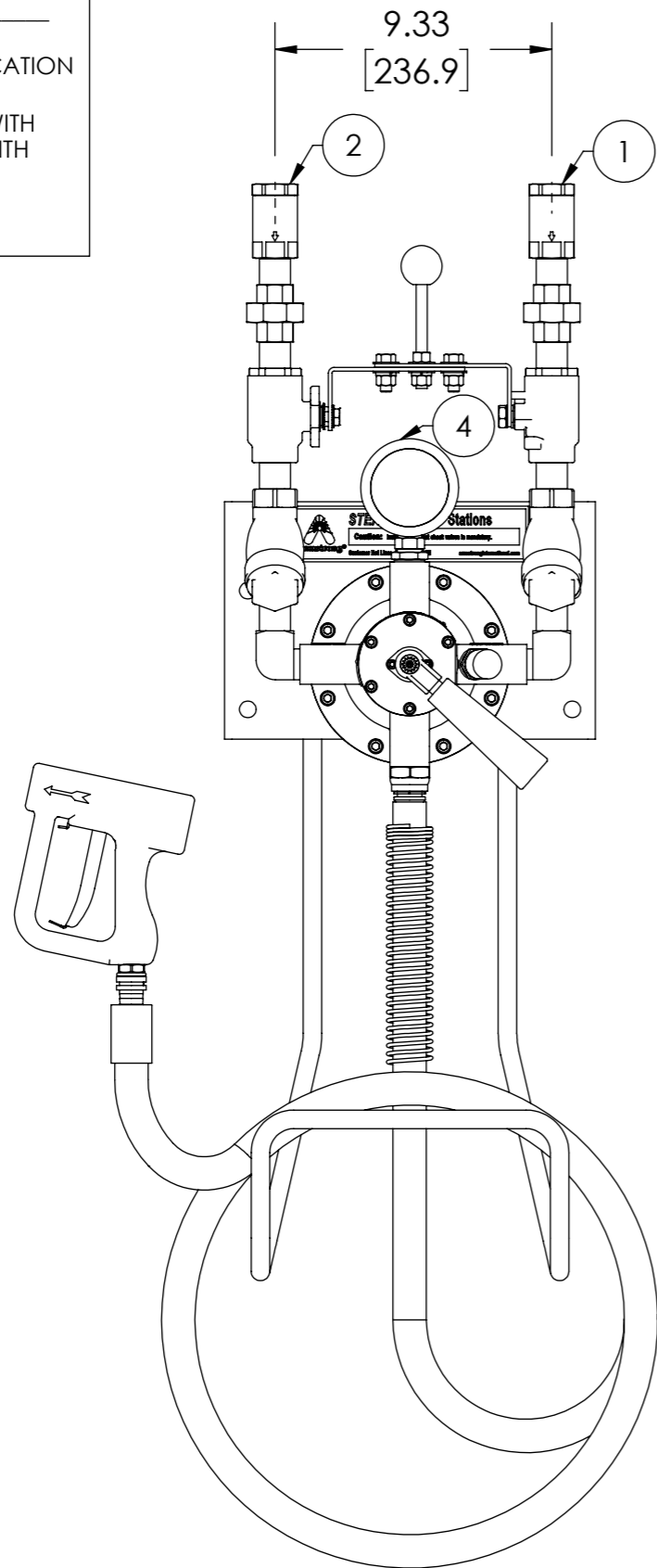
C-055847

MATERIAL	SHEET 1 OF 1
	REV A DWG. D16940

# APPROVAL

BY: \_\_\_\_\_ DATE: \_\_\_\_\_

- APPROVED, PROCEED WITH FABRICATION
- APPROVED AS NOTED, PROCEED WITH FABRICATION IN ACCORDANCE WITH COMMENTS
- DISAPPROVED, DO NOT FABRICATE



HOSE RACK  
HOLE LOCATIONS

ITEM	DESCRIPTION	CONNECTION
1	WATER INLET	3/4" NPT
2	STEAM INLET	3/4" NPT
3	HOT WATER OUTLET	3/4" NPT
4	THERMOMETER	1/2" NPT
ITEM	MATERIAL	
MIXING VALVE BODY	BRASS	
COMPONENTS	BRASS	
BACKPLATE/RACK	STAINLESS STEEL	
HOSE	YELLOW(212F[100C])	
NOZZLE	STAINLESS STEEL	

NOTE(S):  
1. REFERENCE ARMSTRONG DRAWING D16793

DO NOT SCALE DRAWING		
TOLERANCES UNLESS OTHERWISE SPECIFIED		
DIMENSIONING ENGLISH [mm]		
FRACTIONAL ± 1/64		
ANGULAR: ± 2		
DECIMAL	.XXXX ± .0005	IN. MM
	.XXX ± .005	.010
	.XX ± .015	.10
	.X	.3

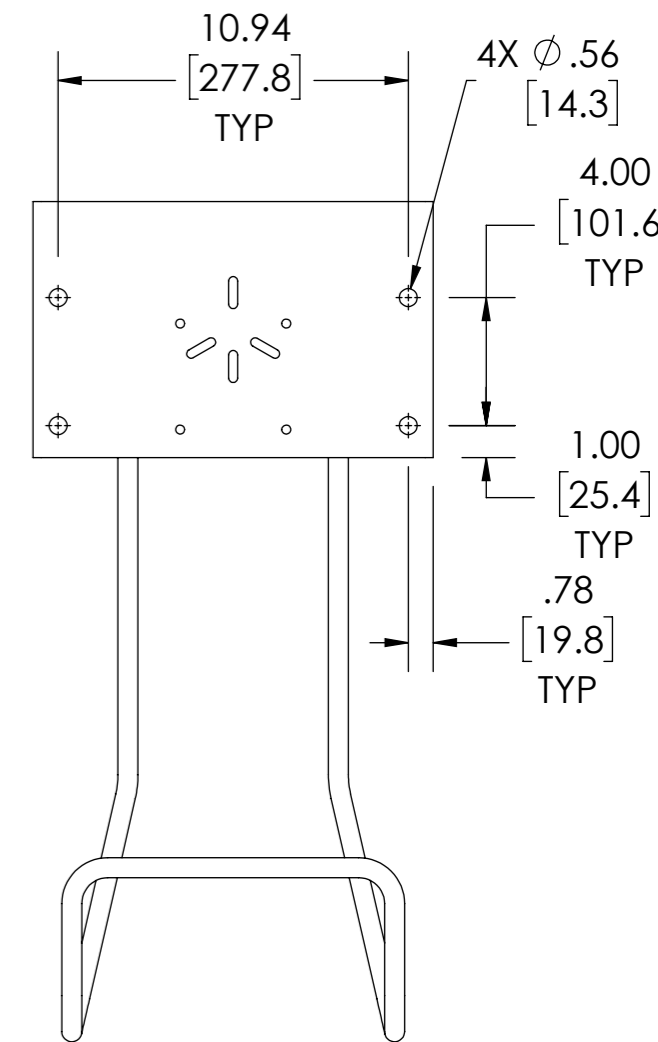
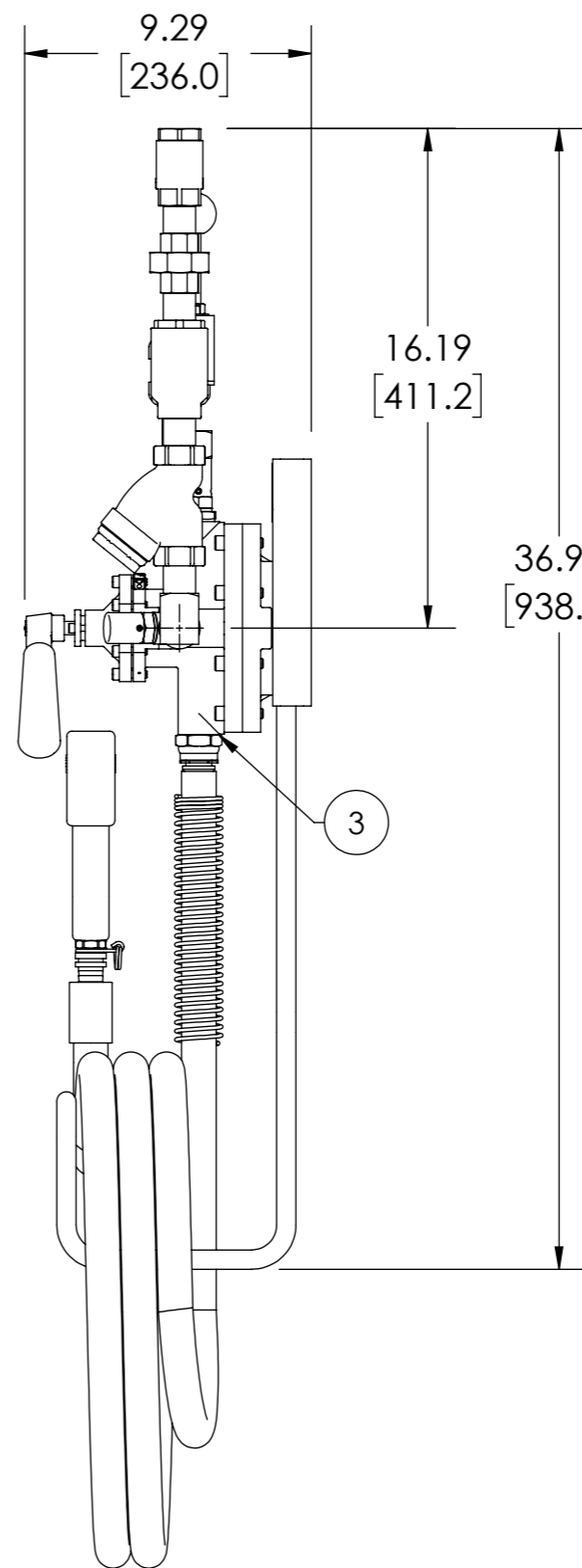
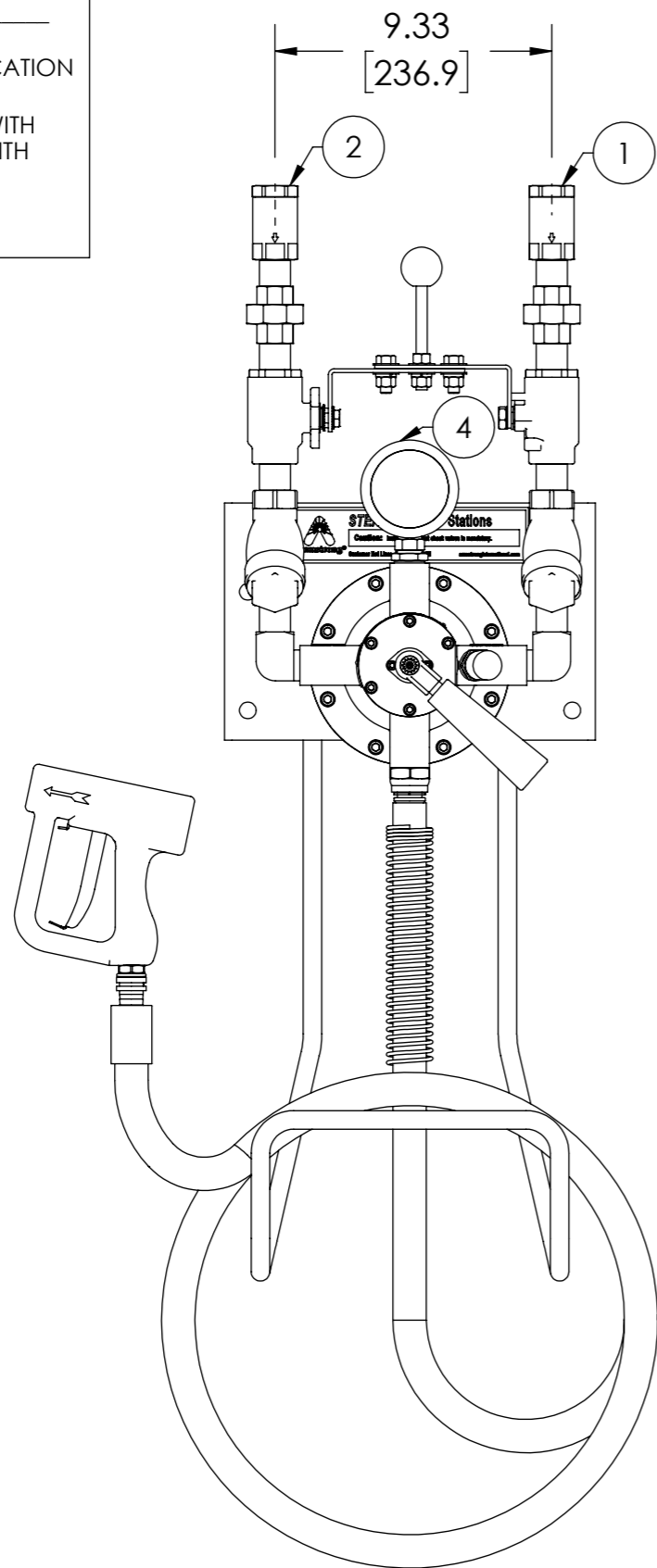
		NAME	DATE
		CFG	9/10/2019
RELEASED			

<b>ARMSTRONG INTERNATIONAL</b> Copyright © 2010 ARMSTRONG INTERNATIONAL, INC.			
<b>2033P 3/4 NPT BRS PREMIUM W/HOSE          RACK YEL HOSE 25 FT TRIGGERGUARD SS          BRZCV</b>			
CONFIG # (C-398788)			
MATERIAL	CWF60207	REV C	SHEET 1 OF 1
		SALES	

# APPROVAL

BY: \_\_\_\_\_ DATE: \_\_\_\_\_

- APPROVED, PROCEED WITH FABRICATION
- APPROVED AS NOTED, PROCEED WITH FABRICATION IN ACCORDANCE WITH COMMENTS
- DISAPPROVED, DO NOT FABRICATE



HOSE RACK  
HOLE LOCATIONS

ITEM	DESCRIPTION	CONNECTION
1	WATER INLET	3/4" NPT
2	STEAM INLET	3/4" NPT
3	HOT WATER OUTLET	3/4" NPT
4	THERMOMETER	1/2" NPT
ITEM	MATERIAL	
MIXING VALVE BODY	BRASS	
COMPONENTS	BRASS	
BACKPLATE/RACK	STAINLESS STEEL	
HOSE	YELLOW(212F[100C])	
NOZZLE	STAINLESS STEEL	

NOTE(S):  
1. REFERENCE ARMSTRONG DRAWING D16794

DO NOT SCALE DRAWING		
TOLERANCES UNLESS OTHERWISE SPECIFIED		
DIMENSIONING ENGLISH [mm]		
FRACTIONAL ± 1/64		
ANGULAR: ± 2		
DECIMAL	.XXXX ± .0005	IN. MM
	.XXX ± .005	.010
	.XX ± .015	.10
	.X	.3

**Armstrong**<sup>®</sup>

	NAME	DATE
DRAWN	CFG	9/10/2019
RELEASED		

**ARMSTRONG INTERNATIONAL**  
 Copyright © 2010 ARMSTRONG INTERNATIONAL, INC.  
**2033P 3/4 NPT BRS PREMIUM W/HOSE**  
**RACK YEL HOSE 50 FT TRIGGERGUARD SS**  
**BRZCV**

CONFIG # (C-398793)

MATERIAL	CWF60207	REV C	SALES
----------	----------	-------	-------

SHEET 1 OF 1