

FLO-RITE-TEMP® 665 & 665DW

INSTANTANEOUS WATER HEATER

Flo-Rite-Temp® Instantaneous Steam/Water Heater is a shell & tube heat exchanger fitted with an integral control valve for water heating and temperature control.

The feed forward design instantly determines downstream system demand and directs cold water through the heat exchanger. Water is heated above legionella survival temperatures with constant pressure steam and then blended with a proportional amount of cold water to set point temperature.

Flo-Rite-Temp® Instantaneous Steam/Water Heaters are available with single wall or double wall heat exchangers in four standard sizes. A stainless steel construction option is available.



Flo-Rite-Temp® 665 Single Wall Instantaneous Water Heater



Flo-Rite-Temp® 665DW Double Wall Instantaneous Water Heater

Designs, materials, weights, and performance ratings are approximate and subject to change without notice. Visit armstronginternational.com for the most up-to-date information.

FLO-RITE-TEMP® 665 & 665DW

TECHNICAL SPECIFICATIONS - SIZING

FRT665 and FRT665DW Water and Steam Capacities - Imperial Units									
Inlet Temperature	Set Temperature	Hot Water Capacities in GPM				Steam Capacities in lb/hr			
		Steam Pressure				Steam Pressure			
		2 psig	5 psig	10 psig	15 psig	2 psig	5 psig	10 psig	15 psig
40°F	120°F	69	74	80	80	2,855	3,067	3,356	3,601
	130°F	58	63	68	73	2,723	2,936	3,226	3,472
	140°F	50	54	59	63	2,585	2,799	3,091	3,338
	160°F	37	40	45	48	2,286	2,508	2,806	3,057
	180°F	23	26	39	32	1,663	1,866	2,134	2,355
50°F	120°F	76	80	80	80	2,767	2,977	3,264	3,508
	130°F	64	68	75	80	2,637	2,848	3,137	3,381
	140°F	54	58	64	68	2,502	2,715	3,005	3,250
	160°F	39	42	47	51	2,210	2,429	2,725	2,974
	180°F	24	27	30	33	1,605	1,805	2,069	2,289
60°F	130°F	70	76	80	80	2,550	2,760	3,046	3,288
	140°F	58	63	69	75	2,418	2,629	2,917	3,160
	160°F	41	45	50	55	2,132	2,349	2,642	2,889
	180°F	25	28	32	35	1,546	1,743	2,004	2,221

FRT665 and FRT665DW Water and Steam Capacities - Metric Units									
Inlet Temperature	Set Temperature	Hot Water Capacities in m ³				Steam Capacities in kg/hr			
		Steam Pressure				Steam Pressure			
		0.14 bar	0.35 bar	0.7 bar	1 bar	0.14 bar	0.35 bar	0.7 bar	1 bar
4°C	49°C	15.7	16.8	18.2	18.2	1,290	1,386	1,517	1,628
	54°C	13.2	14.3	15.4	16.6	1,230	1,327	1,458	1,569
	60°C	11.3	12.2	13.3	14.3	1,168	1,265	1,397	1,509
	71°C	8.4	9.1	10.2	10.9	1,033	1,134	1,268	1,382
	82°C	5.2	5.9	6.6	7.3	754	846	968	1,068
50°C	49°C	17.3	18.2	18.2	18.2	1,251	1,346	1,475	1,586
	54°C	14.5	15.4	17.0	18.2	1,192	1,287	1,418	1,528
	60°C	12.2	13.2	14.5	15.4	1,131	1,227	1,358	1,474
	71°C	8.9	9.5	10.7	11.6	999	1,098	1,232	1,344
	82°C	5.4	6.1	6.8	7.5	728	819	938	1,037
60°C	54°C	15.9	17.3	18.2	18.2	1,152	1,247	1,377	1,486
	60°C	13.2	14.3	15.7	17.0	1,093	1,188	1,318	1,428
	71°C	9.3	10.2	11.3	12.5	964	1,062	1,194	1,306
	82°C	5.7	6.4	7.3	7.9	701	791	909	1,007

Designs, materials, weights, and performance ratings are approximate and subject to change without notice. Visit armstronginternational.com for the most up-to-date information.



FLO-RITE-TEMP® 665 & 665DW

TECHNICAL SPECIFICATIONS

General		
Ambient Temperature	Minimum Ambient Temperature: 35°F (2°C)	Maximum Ambient Temperature: 122°F (50°C)
Installation Environment	Suitable for indoor use only	
Materials		
FRT Control Valve	Bronze	
Heat Exchanger Shell	Carbon steel, ASTM SA-106, Gr. B, ASME "U" stamped with Type 316 stainless steel two-pass head	
Heat Exchanger Tube Bundle	Single Wall	Admiralty brass tubes; 5/8" OD x 16 BWG wall
	Double Wall	Copper tubes; 5/8" OD inner with 3/4" OD grooved outer
Heat Exchanger Tube Sheets	Single Wall	Lead-free brass
	Double Wall	Brass on water side; Steel on steam side
Tube Bundle End Cap (Single Wall ONLY)	Lead-free brass	
Connections		
Water Side	Cold Water Inlet	2" NPT Connection
	Mixed Water Outlet	2" NPT Connection
Steam Side	Steam Inlet	3" NPT Connection
	Condensate Outlet	1-1/4" NPT Connections (Armstrong Steam Trap 814)
Pressures		
Water Inlet Supply Pressures	Maximum Water Pressure: 150 psig (10 barg)	Minimum Pressure: 20 psig (1.5 barg)
Steam Inlet Supply Pressures	Maximum Allowable Steam Pressure: 150 psig (10 barg)	
	Maximum Operating Steam Pressure: 15 psig (1 barg)	
Temperatures		
Control Range	+ / - 4°F (within 25' downstream during demand)	

Designs, materials, weights, and performance ratings are approximate and subject to change without notice. Visit armstronginternational.com for the most up-to-date information.



FLO-RITE-TEMP® 665 & 665DW

WRITTEN SPECIFICATIONS

Category: Steam to Water Heater with Shell and Tube Heat Exchanger

Type: Flo-Rite-Temp®

Model: FRT665 and FRT665DW

Part 1 - GENERAL

1.0 Flo-Rite-Temp® FRT665 and FRT665DW Overview

- 1.1 The assembly shall be a steam to water shell and tube heater.
 - 1.1.1 FRT665 shall be of single wall construction with straight admiralty brass tubes expanded into naval brass tube sheets with a bolted end cover.
 - 1.1.2 FRT665DW shall be of double wall construction with 5/8" copper inner tube, 3/4" ID grooved copper outer tube expanded into steel (steam side) and brass (water side) tube sheets.

Heat exchanger will be fixed on one end of the shell and free-floating on the opposite end designed and manufactured in accordance with ASME Code Section VIII.

2.0 FRT665 and FRT665DW Assembly

- 2.1 The assembly shall comprise of a shell and tube heat exchanger with industrial grade enamel paint, a brass control valve, and a Model 814 steam trap.
- 2.2 Steam pressure on the system to be no more than 15 psig. Designed to generate 63 GPM with a 40°F entering cold water temperature, a 140°F mixed water set point utilizing 15 psig at a maximum of 3,150 lbs/hr.

3.0 FRT665 and FRT665DW shall have the following operational specifications:

- 3.1 + / - 4° F (2° C) water temperature control from zero-system demand to full system demand
- 3.2 Pressure drop not to exceed 10 psi at maximum flow
- 3.3 Operating steam pressure (constant) between 2-15 psig
- 3.4 Operating water pressure between 20-150 psig
- 3.5 Pressure-sensitive mixing valve is integrally mounted to shell and tube exchanger using feed-forward sensing
- 3.6 Pressure-sensitive mixing valve shall fail in the cold position in the event of diaphragm failures
- 3.7 1/4" domestic side pressure relief pop-off valve with 165 psig (11.4 barg) crack pressure, self-seating
- 3.8 Thermostatic air vent to vent the exchanger air on start-up
- 3.9 Inverted bucket steam trap for condensate return
- 3.10 Exchanger tubes:
 - 3.11.1 FRT665: 16-gauge, 5/8" OD admiralty brass straight tubes expanded into naval brass tube sheets
 - 3.11.2 FRT665DW: 5/8" copper inner tubes, 3/4" outer tubes expanded into steel / brass tube sheets
- 3.12 Carbon steel shell with 3" NPT steam inlet and 1-1/4" condensate outlet connections

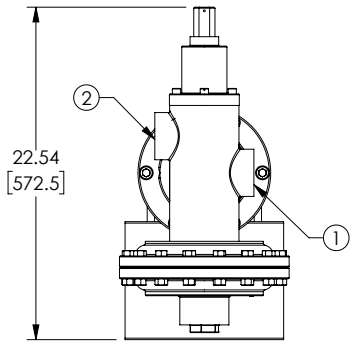
4.0 Warranty

- 4.1 Water heater assembly shall have a 2-year warranty from date of installation, but not longer than 27 months from date of shipment.
- 4.2 The tube bundle shall have a 10-year guarantee against failure caused by materials or workmanship provided by Armstrong but not against gasket failure or damage caused by corrosion, water hammer or lack of proper cleaning.

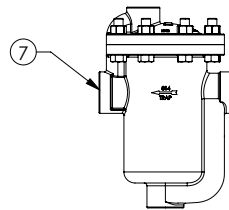
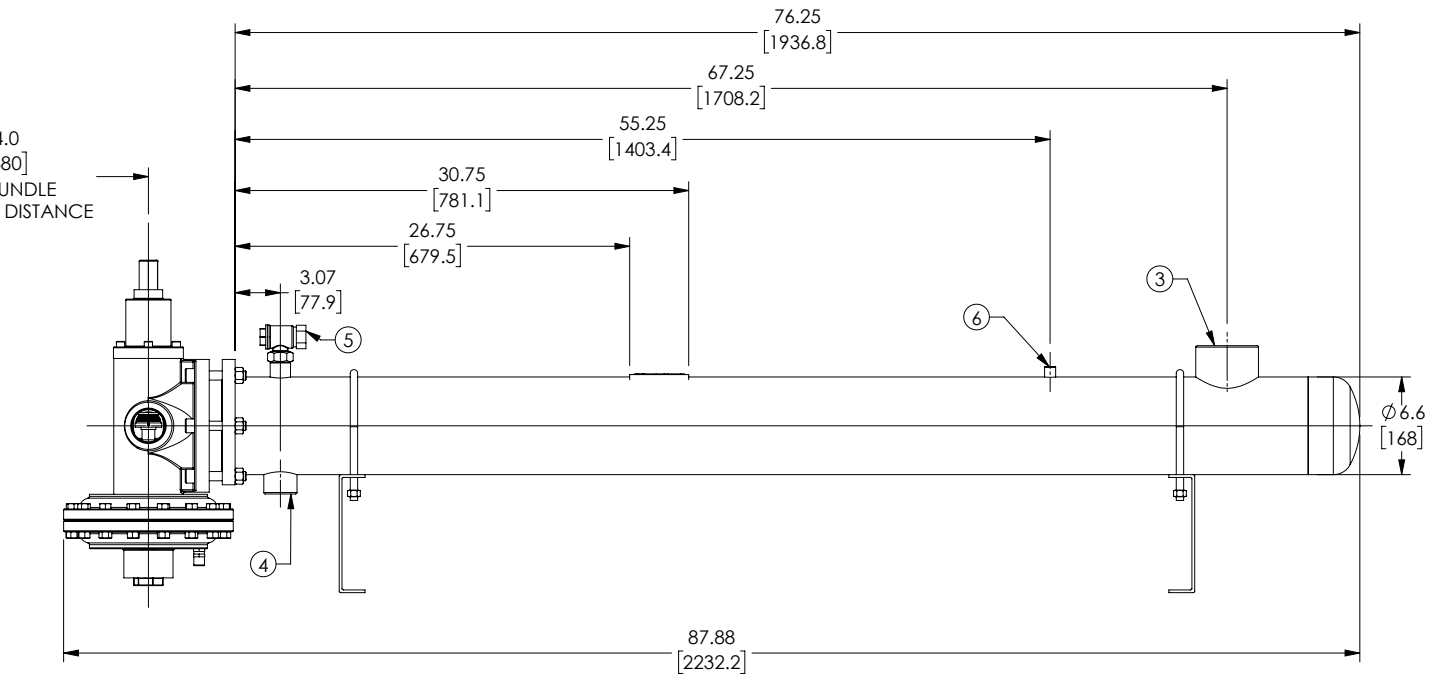
APPROVAL

BY: _____ DATE: _____

- APPROVED, PROCEED WITH FABRICATION
- APPROVED AS NOTED, PROCEED WITH FABRICATION IN ACCORDANCE WITH COMMENTS
- DISAPPROVED, DO NOT FABRICATE



74.0
[1880]
TUBE BUNDLE
REMOVAL DISTANCE



PROJECT NAME:		
TAG:		
ITEM	DESCRIPTION	CONNECTION
1	COLD WATER INLET	2" NPT
2	HOT WATER OUTLET	2" NPT
3	STEAM INLET	3" NPT
4	CONDENSATE OUTLET	1-1/4" NPT
5	AIR VENT	3/4" NPT
6	PRESSURE GAUGE PORT	1/4" NPT
7	814 IB	1-1/4" NPT
ITEM		MATERIAL
EXCHANGER SHELL MATL		CARBON STEEL
EXCHANGER TUBE MATL		ADMIRALTY BRASS

NOTE(S):

1. ARMSTRONG PART NUMBER : D58644
2. COMPLETE ASSEMBLY LEAD FREE COMPLIANT - THE WETTED SURFACE OF THIS PRODUCT CONTACTED BY CONSUMABLE WATER CONTAINS LESS THAN ONE QUARTER OF ONE PERCENT (0.25%) OF LEAD BY WEIGHT.

DO NOT SCALE DRAWING TOLERANCES UNLESS OTHERWISE SPECIFIED	
DIMENSIONING ENGLISH [mm]	
FRACTIONAL ± 1/64	
ANGULAR: ± 2	
DECIMAL	.XXXX ± .0005
	.XXX ± .005 .010
	.XX ± .015 .10
	.X ± .3



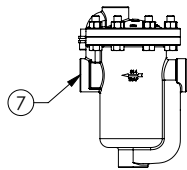
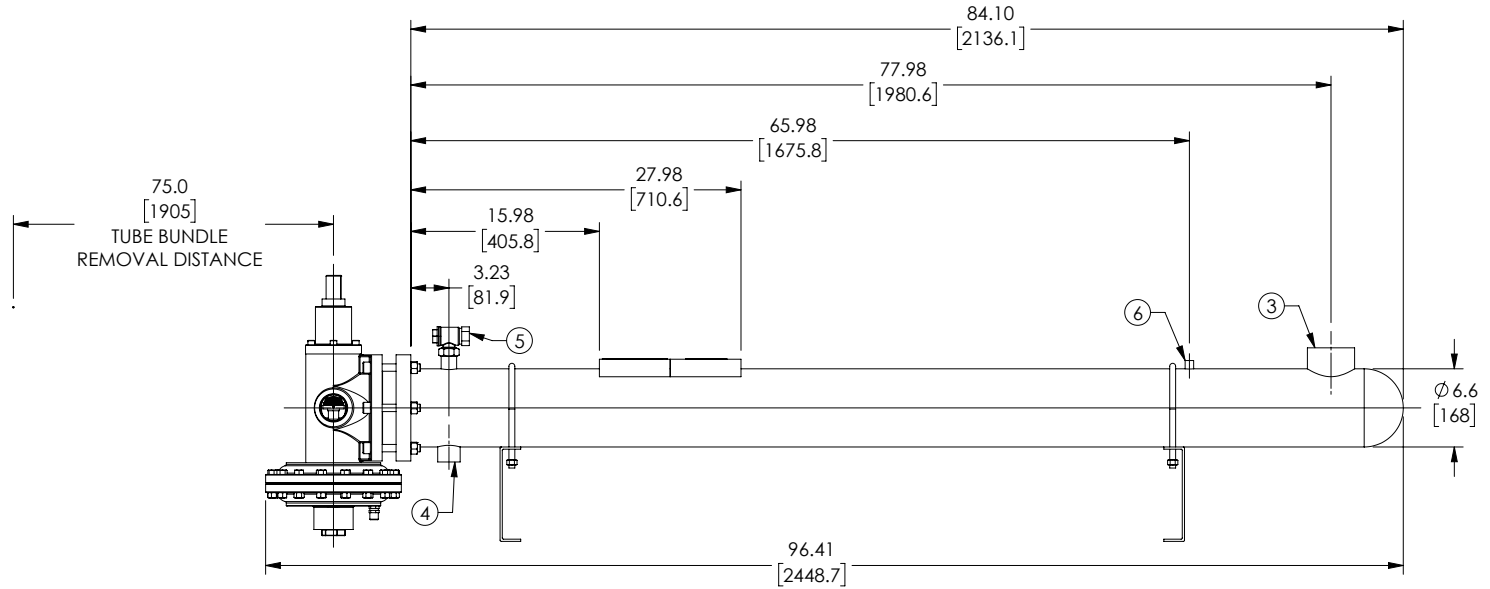
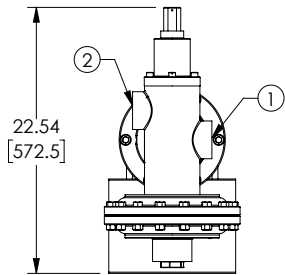
NAME	DATE
DRAWN RAJKUMAR	07/21/2015
RELEASED	

ARMSTRONG INTERNATIONAL Copyright © 2010 ARMSTRONG INTERNATIONAL, INC.	
FRT665 W/SS AND TRAP LF	
MATERIAL	CN57167
REV C	DWG. SALES

APPROVAL

BY: _____ DATE: _____


- APPROVED, PROCEED WITH FABRICATION
- APPROVED AS NOTED, PROCEED WITH FABRICATION IN ACCORDANCE WITH COMMENTS
- DISAPPROVED, DO NOT FABRICATE



PROJECT NAME:		
TAG:		
ITEM	DESCRIPTION	CONNECTION
1	COLD WATER INLET	2" NPT
2	HOT WATER OUTLET	2" NPT
3	STEAM INLET	3" NPT
4	CONDENSATE OUTLET	1-1/4" NPT
5	AIR VENT	3/4" NPT
6	PRESSURE GAUGE PORT	1/4" NPT
7	814 IB	1-1/4" NPT
ITEM		MATERIAL
EXCHANGER SHELL MATL		CARBON STEEL
EXCHANGER TUBE MATL		COPPER

NOTE(S):

1. ARMSTRONG PART NUMBER : D58645
2. COMPLETE ASSEMBLY LEAD FREE COMPLIANT - THE WETTED SURFACE OF THIS PRODUCT CONTACTED BY CONSUMABLE WATER CONTAINS LESS THAN ONE QUARTER OF ONE PERCENT (0.25%) OF LEAD BY WEIGHT.

 ARMSTRONG INTERNATIONAL Copyright © 2010 ARMSTRONG INTERNATIONAL, INC. FRT665DW W/SS AND TRAP LF																							
<p>DO NOT SCALE DRAWING TOLERANCES UNLESS OTHERWISE SPECIFIED DIMENSIONING ENGLISH [mm]</p> <p>FRACTIONAL ± 1/64 ANGULAR: ± 2</p> <table border="1"> <tr> <td>DECIMAL</td> <td>.XXXX ± .0005</td> <td>----</td> </tr> <tr> <td></td> <td>.XXX ± .005</td> <td>.10</td> </tr> <tr> <td></td> <td>.XX ± .015</td> <td>.10</td> </tr> <tr> <td></td> <td>.X</td> <td>.3</td> </tr> </table>	DECIMAL	.XXXX ± .0005	----		.XXX ± .005	.10		.XX ± .015	.10		.X	.3	<table border="1"> <tr> <td>NAME</td> <td>DATE</td> </tr> <tr> <td>DRAWN Lucas Wilkins</td> <td>07/17/2017</td> </tr> <tr> <td>RELEASED</td> <td></td> </tr> </table> <table border="1"> <tr> <td>MATERIAL</td> <td>SHEET 1 OF 1</td> </tr> <tr> <td>CN45334</td> <td>REV DWG. SALES</td> </tr> </table>	NAME	DATE	DRAWN Lucas Wilkins	07/17/2017	RELEASED		MATERIAL	SHEET 1 OF 1	CN45334	REV DWG. SALES
DECIMAL	.XXXX ± .0005	----																					
	.XXX ± .005	.10																					
	.XX ± .015	.10																					
	.X	.3																					
NAME	DATE																						
DRAWN Lucas Wilkins	07/17/2017																						
RELEASED																							
MATERIAL	SHEET 1 OF 1																						
CN45334	REV DWG. SALES																						