

DIMENSIONS & DATA CERTIFIED FOR:

Representative:

Order:

Customer:

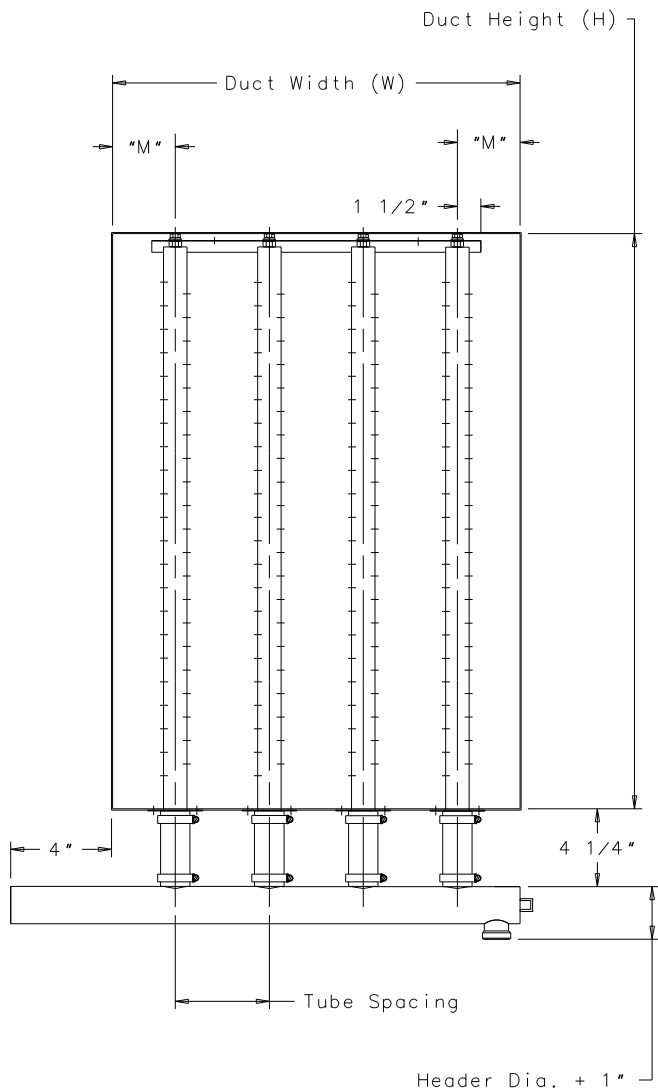
Order:

Project:

Requirements:

By:

Date:



Header

Header Size	2"
Max. Capacity	250 lbs/hr
Std Inlet Conn	2" Pipe Stub
Optional Conn	2" NPT
Drain Conn	1" Drain

Dispersion Tube

Tube Size	1 1/2"
Max Capacity/Tube	35 lbs/hr
* ϕ 1-1/2" tubes of 16" or less have reduced capacity. Please contact factory.	

Materials

Header	T304 SS
Dispersion Tubes	T304 SS
Hose Cuffs	EPDM w/Fabric Reinforcement
Outboard Plate	T304 SS ASTM A240
Inboard Plate	T304 SS ASTM A240
"Bolts, Nuts, Washers"	Zinc Plated Carbon Steel

Panel Data

Duct Height (in)	
Duct Width (in)	
Tube Spacing (in)	6", 9", 12"
Tube Quantity	
Capacity (lbs/hr)	
Absorption Distance (in)	
Tube Dia. (in)	
Header Dia. (in)	
Cover Plates Required	YES/NO
"M" =	4" min.

Notes:

- ExpressPack Components Typically Shipped Loose.
- For Sizing Information See Bulletin 554



Armstrong

www.armstronginternational.com

Product

ExpressPack DUCT
2" PIPE INLET

ENGLISH



CD No.

CD2082

Rev; B

Date

10/29/07

By; SRW