

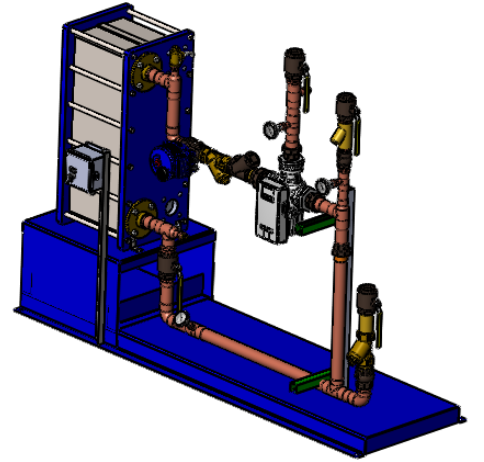
## APPROVAL

BY: \_\_\_\_\_ DATE: \_\_\_\_\_

APPROVED, PROCEED WITH FABRICATION

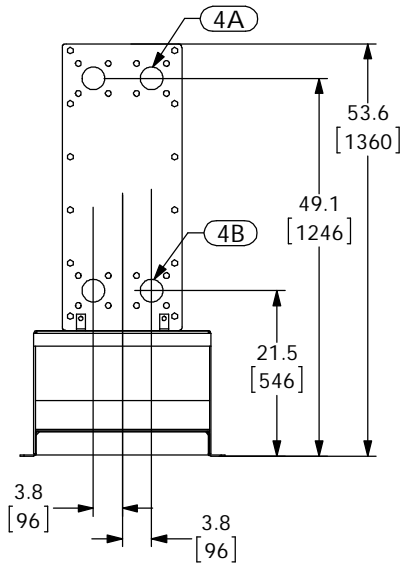
APPROVED AS NOTED, PROCEED WITH FABRICATION IN ACCORDANCE WITH COMMENTS

DISAPPROVED, DO NOT FABRICATE



**DIGITAL FLO BOILER WATER/WATER PLATE & FRAME HEAT EXCHANGER SINGLE WALL**

PIPING AND COMPONENTS  
HIDDEN TO SHOW CONNECTIONS



**PROJECT NAME :**


**TAG :**

ITEM	DESCRIPTION	CONNECTION
1	COLD WATER INLET	2" NPT
2	MIXED WATER OUTLET	2" NPT
3	RECIRC WATER INLET	1-1/2" NPT
4A	PRIMARY(BOILER) INLET	2-1/2" FLG ANSI 150
4B	PRIMARY(BOILER) OUTLET	2-1/2" FLG ANSI 150
5	ELECTRICAL PANEL	110VAC @ 0.7A
6	DRV80	3" NPT
7	N.C. ACTUATED BALL VALVE SAFETY SHUT OFF	2" NPT
8	THERMOMETER (3)	
9	CIP CONNECTION (2)	1" NPT
10	SRV(PRESSURE) PIPE TO DRAIN	1" NPT
11	SRV(CONNECTION FOR USER SUPPLIED T&P)	1" NPT

ITEM	MATERIAL
PIPING	COPPER TYPE "L"
EXCHANGER PLATE MATL.	T316L SS
EXCHANGER GASKET MATL.	NITRILE

- NOTE(S):
- ALL DIMENSIONS +/- .5[13] UNLESS OTHERWISE SHOWN.
  - COMPLETE ASSEMBLY LEAD FREE COMPLIANT - THE WETTED SURFACE OF THIS PRODUCT CONTACTED BY CONSUMABLE WATER CONTAINS LESS THAN ONE QUARTER OF ONE PERCENT (0.25%) OF LEAD BY WEIGHT.
  - PACKAGE INCLUDES ALL REQUIRED INLET CHECK VALVES AND STRAINERS ON DOMESTIC SIDE.
  - DRV, SAFETY SHUT OFF AND ELECTRICAL PANEL ARE PREWIRED TO PROVIDE A SINGLE ELECTRICAL LANDING POINT AT THE PANEL.

 <b>ARMSTRONG INTERNATIONAL</b> Copyright © 2010 ARMSTRONG INTERNATIONAL, INC.		<b>DF65WE50 2 NPT 2 NPT 1-1/2 NPT CPR</b>																
DO NOT SCALE DRAWING TOLERANCES UNLESS OTHERWISE SPECIFIED DIMENSIONING ENGLISH [mm]		CONFIG# (C-XXXXXX)																
FRACTIONAL ± 1/64 ANGULAR: ± 2		MATERIAL																
<table border="1"> <tr> <td></td> <td>IN.</td> <td>MM</td> </tr> <tr> <td>DECIMAL</td> <td>XXX ± .0005</td> <td>----</td> </tr> <tr> <td></td> <td>.XXX ± .005</td> <td>.010</td> </tr> <tr> <td></td> <td>.XX ± .015</td> <td>.10</td> </tr> <tr> <td></td> <td>.X</td> <td>.3</td> </tr> </table>			IN.	MM	DECIMAL	XXX ± .0005	----		.XXX ± .005	.010		.XX ± .015	.10		.X	.3	SHEET 1 OF 1	
	IN.	MM																
DECIMAL	XXX ± .0005	----																
	.XXX ± .005	.010																
	.XX ± .015	.10																
	.X	.3																
DRAWN: CFG RELEASED: SALES		DATE: 02/26/2013 REV: _____ DWG: D5XXXXX																