

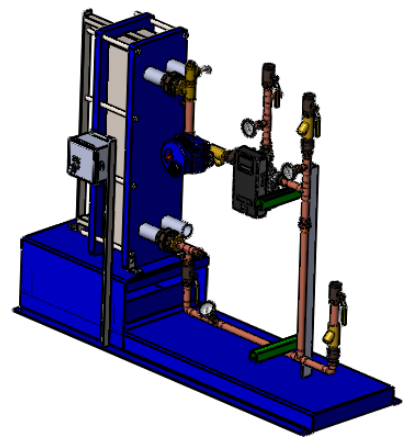
APPROVAL

BY: _____ DATE: _____

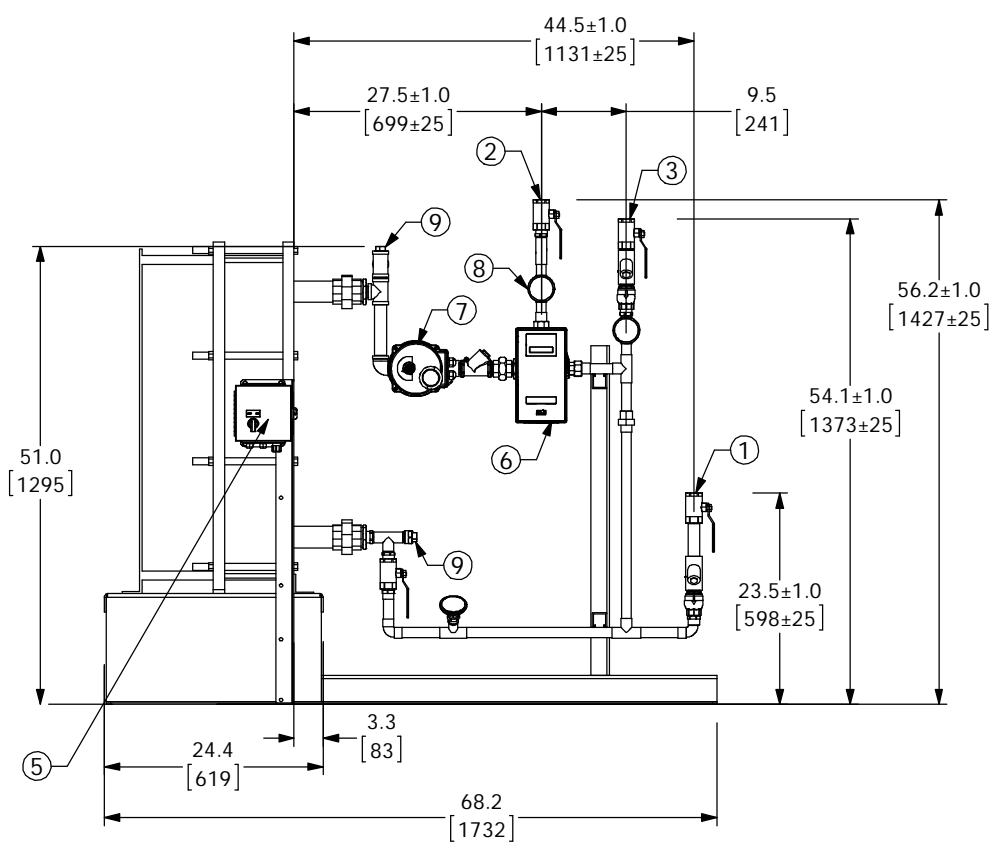
APPROVED, PROCEED WITH FABRICATION

APPROVED AS NOTED, PROCEED WITH FABRICATION IN ACCORDANCE WITH COMMENTS

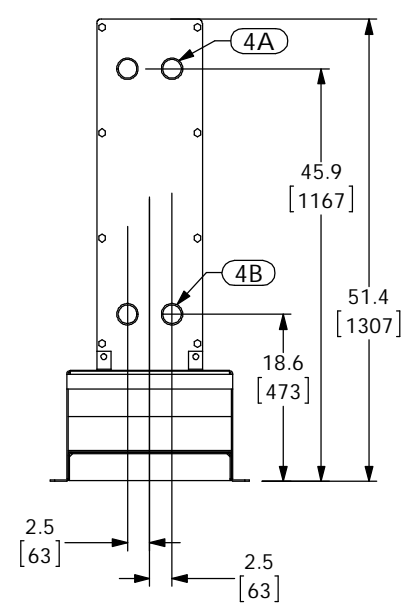
DISAPPROVED, DO NOT FABRICATE



DIGITAL FLO BOILER WATER/WATER PLATE & FRAME HEAT EXCHANGER SINGLE WALL



PIPING AND COMPONENTS HIDDEN TO SHOW CONNECTIONS



PROJECT NAME :

TAG :

ITEM	DESCRIPTION	CONNECTION
1	COLD WATER INLET	1" NPT
2	MIXED WATER OUTLET	1" NPT
3	RECIRC WATER INLET	1" NPT
4A	PRIMARY(BOILER) INLET	2" NPT
4B	PRIMARY(BOILER) OUTLET	2" NPT
5	ELECTRICAL PANEL	110VAC @ 0.7A
6	DRV40	1-1/2" NPT
7	N.C. ACTUATED BALL VALVE SAFETY SHUT OFF	1" NPT
8	THERMOMETER (3)	
9	CIP CONNECTION (2)	1" NPT
10	SRV(PRESSURE) PIPE TO DRAIN	1" NPT
11	SRV(CONNECTION FOR USER SUPPLIED T&P)	3/4" NPT

ITEM	MATERIAL
PIPING	COPPER TYPE "L"
EXCHANGER PLATE MATL.	T316L SS
EXCHANGER GASKET MATL.	NITRILE

- NOTE(S):
- ALL DIMENSIONS +/- .5[13] UNLESS OTHERWISE SHOWN.
 - COMPLETE ASSEMBLY LEAD FREE COMPLIANT - THE WETTED SURFACE OF THIS PRODUCT CONTACTED BY CONSUMABLE WATER CONTAINS LESS THAN ONE QUARTER OF ONE PERCENT (0.25%) OF LEAD BY WEIGHT.
 - PACKAGE INCLUDES ALL REQUIRED INLET CHECK VALVES AND STRAINERS ON DOMESTIC SIDE.
 - DRV, SAFETY SHUT OFF AND ELECTRICAL PANEL ARE PREWIRED TO PROVIDE A SINGLE ELECTRICAL LANDING POINT AT THE PANEL.

 Armstrong	ARMSTRONG INTERNATIONAL Copyright © 2010 ARMSTRONG INTERNATIONAL, INC.																
	DF15WE40 1 NPT CPR																
DO NOT SCALE DRAWING TOLERANCES UNLESS OTHERWISE SPECIFIED DIMENSIONING ENGLISH [mm]	NAME: _____ DATE: _____	CONFIG# (C-XXXXXX)															
FRACTIONAL ± 1/64 ANGULAR: ± 2	DRAWN: CFG 02/26/2013	MATERIAL: _____ SHEET 1 OF 1															
<table border="1"> <thead> <tr> <th></th> <th>IN.</th> <th>MM</th> </tr> </thead> <tbody> <tr> <td>DECIMAL</td> <td>XXX ± .0005</td> <td>----</td> </tr> <tr> <td></td> <td>.XXX ± .005</td> <td>.010</td> </tr> <tr> <td></td> <td>.XX ± .015</td> <td>.10</td> </tr> <tr> <td></td> <td>.X</td> <td>.3</td> </tr> </tbody> </table>		IN.	MM	DECIMAL	XXX ± .0005	----		.XXX ± .005	.010		.XX ± .015	.10		.X	.3	RELEASED: SALES	REV: _____ DWG: D5XXXXX
	IN.	MM															
DECIMAL	XXX ± .0005	----															
	.XXX ± .005	.010															
	.XX ± .015	.10															
	.X	.3															