

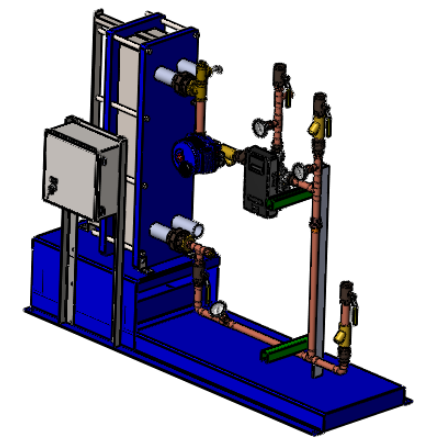
### APPROVAL

BY: \_\_\_\_\_ DATE: \_\_\_\_\_

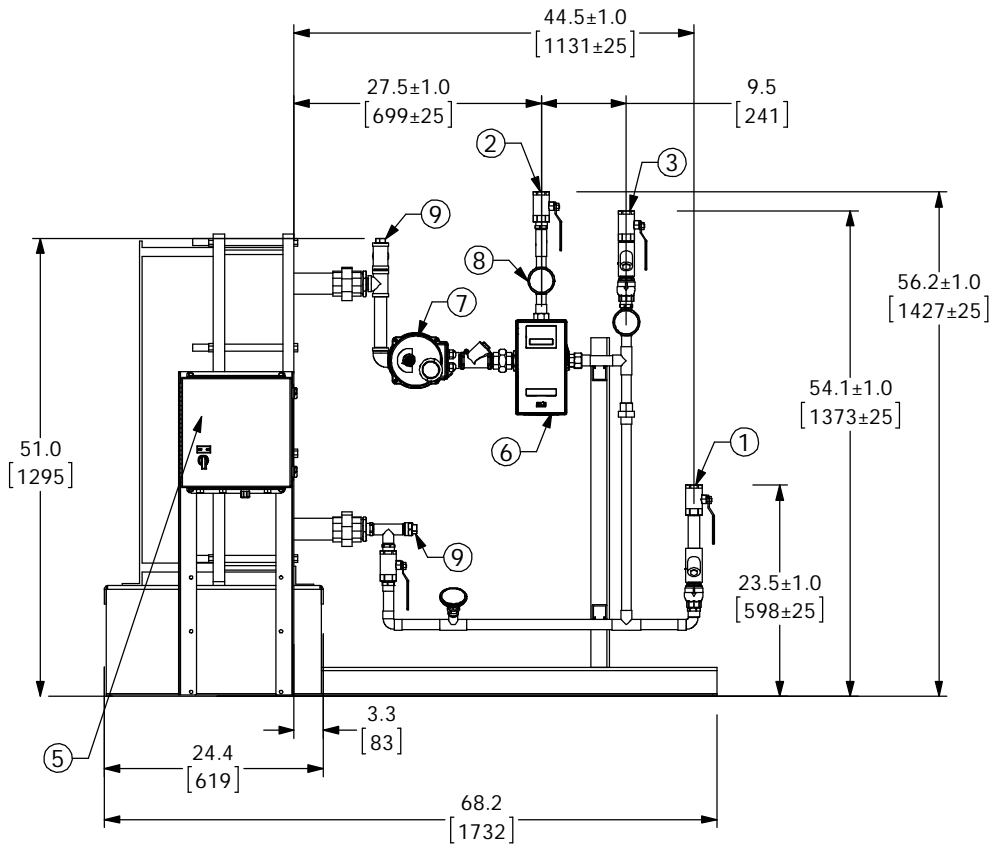
APPROVED, PROCEED WITH FABRICATION

APPROVED AS NOTED, PROCEED WITH FABRICATION IN ACCORDANCE WITH COMMENTS

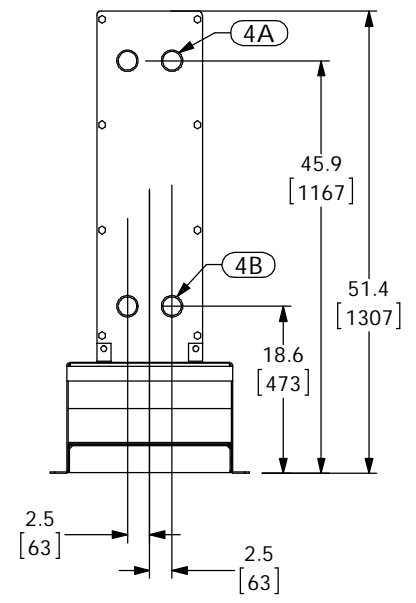
DISAPPROVED, DO NOT FABRICATE



**DIGITAL FLO BOILER WATER/WATER PLATE & FRAME HEAT EXCHANGER SINGLE WALL**



PIPING AND COMPONENTS HIDDEN TO SHOW CONNECTIONS



**PROJECT NAME :**

**TAG :**

ITEM	DESCRIPTION	CONNECTION
1	COLD WATER INLET	1" NPT
2	MIXED WATER OUTLET	1" NPT
3	RECIRC WATER INLET	1" NPT
4A	PRIMARY(BOILER) INLET	2" NPT
4B	PRIMARY(BOILER) OUTLET	2" NPT
5	ELECTRICAL PANEL/BRAINSCAN	110VAC @ 1.2A
6	DRV40	1-1/2" NPT
7	N.C. ACTUATED BALL VALVE SAFETY SHUT OFF	1" NPT
8	THERMOMETER (3)	
9	CIP CONNECTION (2)	1" NPT
10	SRV(PRESSURE) PIPE TO DRAIN	1" NPT
11	SRV(CONNECTION FOR USER SUPPLIED T&P)	3/4" NPT

ITEM	MATERIAL
PIPING	COPPER TYPE "L"
EXCHANGER PLATE MATL.	T316L SS
EXCHANGER GASKET MATL.	NITRILE

- NOTE(S):
- ALL DIMENSIONS +/- .5[13] UNLESS OTHERWISE SHOWN.
  - COMPLETE ASSEMBLY LEAD FREE COMPLIANT - THE WETTED SURFACE OF THIS PRODUCT CONTACTED BY CONSUMABLE WATER CONTAINS LESS THAN ONE QUARTER OF ONE PERCENT (0.25%) OF LEAD BY WEIGHT.
  - PACKAGE INCLUDES ALL REQUIRED INLET CHECK VALVES AND STRAINERS ON DOMESTIC SIDE.
  - DRV, SAFETY SHUT OFF AND ELECTRICAL PANEL ARE PREWIRED TO PROVIDE A SINGLE ELECTRICAL LANDING POINT AT THE PANEL.

 <b>Armstrong</b>	<b>ARMSTRONG INTERNATIONAL</b> Copyright © 2010 ARMSTRONG INTERNATIONAL, INC.											
	<b>DF15WE40BS 1 NPT CPR</b>											
DIMENSIONING ENGLISH [mm]	NAME DATE	CONFIG# (C-XXXXXX)										
FRACTIONAL ± 1/64 ANGULAR: ± 2	DRAWN RELEASED	MATERIAL SHEET 1 OF 1										
<table border="1"> <tr> <td>IN.</td> <td>MM</td> </tr> <tr> <td>XXX ± .0005</td> <td>----</td> </tr> <tr> <td>.XXX ± .005</td> <td>.010</td> </tr> <tr> <td>.XX ± .015</td> <td>.10</td> </tr> <tr> <td>.X</td> <td>.3</td> </tr> </table>	IN.	MM	XXX ± .0005	----	.XXX ± .005	.010	.XX ± .015	.10	.X	.3	SALES	REV DWG: D5XXXXX
IN.	MM											
XXX ± .0005	----											
.XXX ± .005	.010											
.XX ± .015	.10											
.X	.3											