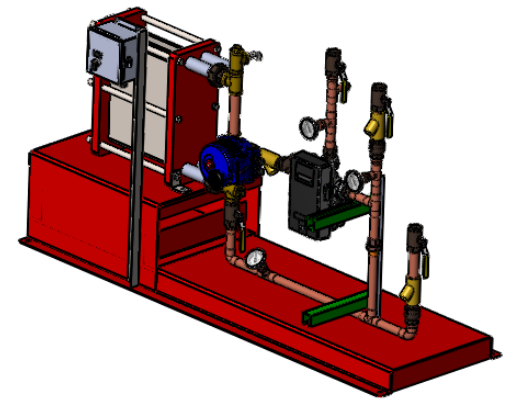
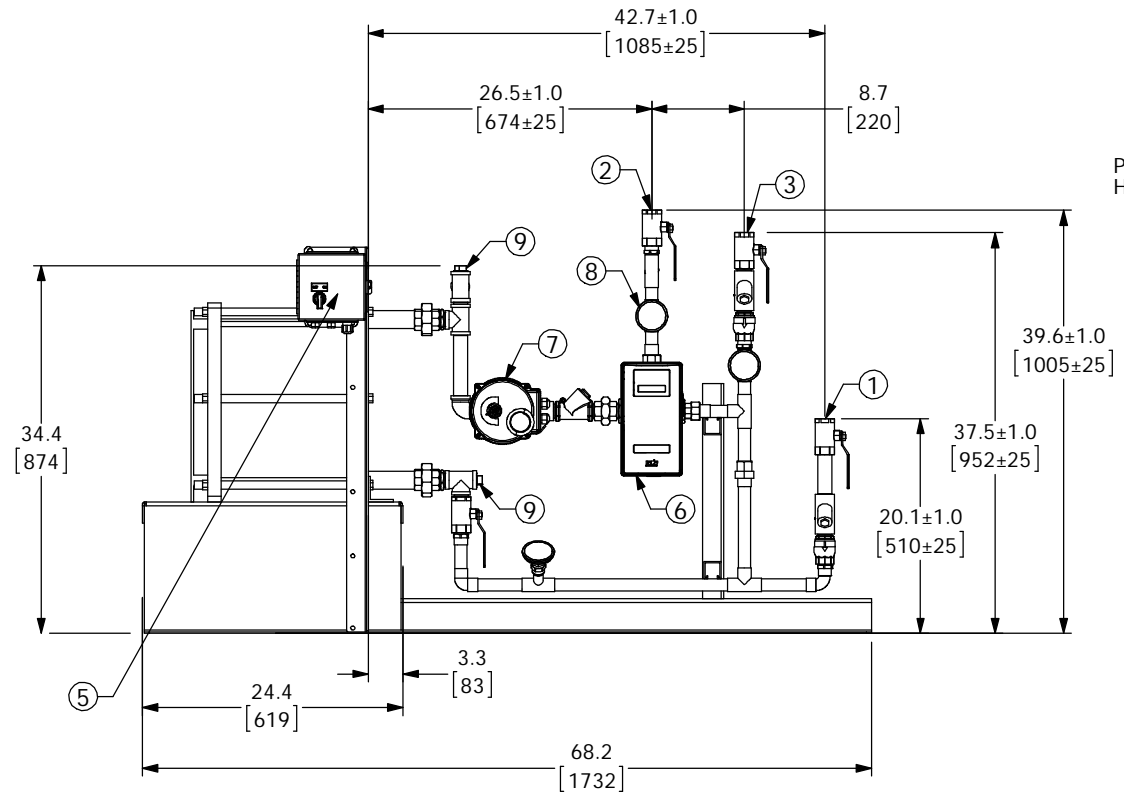


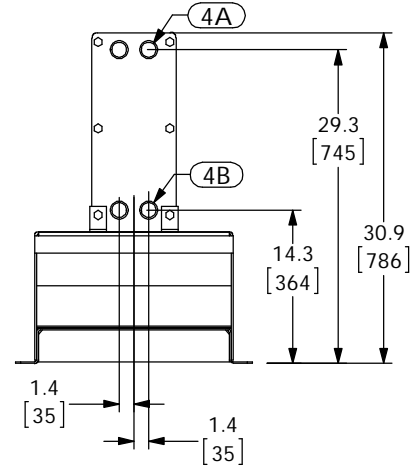
APPROVAL
 BY: _____ DATE: _____
 APPROVED, PROCEED WITH FABRICATION
 APPROVED AS NOTED, PROCEED WITH FABRICATION IN ACCORDANCE WITH COMMENTS
 DISAPPROVED, DO NOT FABRICATE



DIGITAL FLO BOILER WATER/WATER PLATE & FRAME HEAT EXCHANGER DOUBLE WALL



PIPING AND COMPONENTS HIDDEN TO SHOW CONNECTIONS



PROJECT NAME :

TAG :

| ITEM | DESCRIPTION | CONNECTION |
|------|--|---------------|
| 1 | COLD WATER INLET | 1" NPT |
| 2 | MIXED WATER OUTLET | 1" NPT |
| 3 | RECIRC WATER INLET | 1" NPT |
| 4A | PRIMARY(BOILER) INLET | 1-1/4" NPT |
| 4B | PRIMARY(BOILER) OUTLET | 1-1/4" NPT |
| 5 | ELECTRICAL PANEL | 110VAC @ 0.7A |
| 6 | DRV40 | 1-1/2" NPT |
| 7 | N.C. ACTUATED BALL VALVE SAFETY SHUT OFF | 1" NPT |
| 8 | THERMOMETER (3) | |
| 9 | CIP CONNECTION (2) | 1" NPT |
| 10 | SRV(PRESSURE) PIPE TO DRAIN | 1" NPT |
| 11 | SRV(CONNECTION FOR USER SUPPLIED T&P) | 3/4" NPT |

| ITEM | MATERIAL |
|------------------------|-----------------|
| PIPING | COPPER TYPE "L" |
| EXCHANGER PLATE MATL. | T316L SS |
| EXCHANGER GASKET MATL. | NITRILE |

- NOTE(S):
- ALL DIMENSIONS +/- .5[13] UNLESS OTHERWISE SHOWN.
 - COMPLETE ASSEMBLY LEAD FREE COMPLIANT - THE WETTED SURFACE OF THIS PRODUCT CONTACTED BY CONSUMABLE WATER CONTAINS LESS THAN ONE QUARTER OF ONE PERCENT (0.25%) OF LEAD BY WEIGHT.
 - PACKAGE INCLUDES ALL REQUIRED INLET CHECK VALVES AND STRAINERS ON DOMESTIC SIDE.
 - DRV, SAFETY SHUT OFF AND ELECTRICAL PANEL ARE PREWIRED TO PROVIDE A SINGLE ELECTRICAL LANDING POINT AT THE PANEL.

| | | | | | | | | | |
|--|----------------------|--|--------------|------------|----------|-------|--------------------|----------|--------------|
| DO NOT SCALE DRAWING TOLERANCES UNLESS OTHERWISE SPECIFIED DIMENSIONING ENGLISH [mm] FRACTIONAL ± 1/64 ANGULAR: ± 2 | Armstrong | ARMSTRONG INTERNATIONAL Copyright © 2010 ARMSTRONG INTERNATIONAL, INC. | | | | | | | |
| | | DF15WDW40 1 NPT CPR | | | | | | | |
| <table border="1"> <tr> <td>NAME</td> <td>DATE</td> </tr> <tr> <td>DRAWN</td> <td>02/26/2013</td> </tr> <tr> <td>RELEASED</td> <td>SALES</td> </tr> </table> | NAME | DATE | DRAWN | 02/26/2013 | RELEASED | SALES | CONFIG# (C-XXXXXX) | MATERIAL | SHEET 1 OF 1 |
| NAME | DATE | | | | | | | | |
| DRAWN | 02/26/2013 | | | | | | | | |
| RELEASED | SALES | | | | | | | | |
| | | REV | DWG: D5XXXXX | | | | | | |