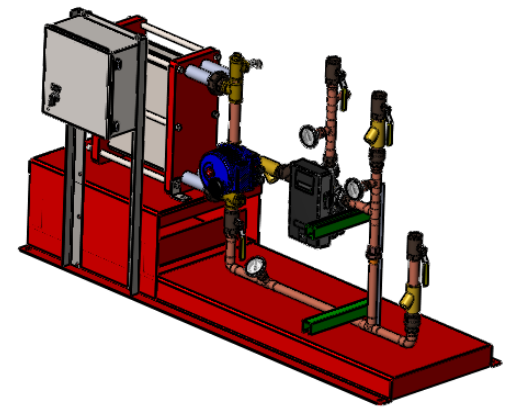
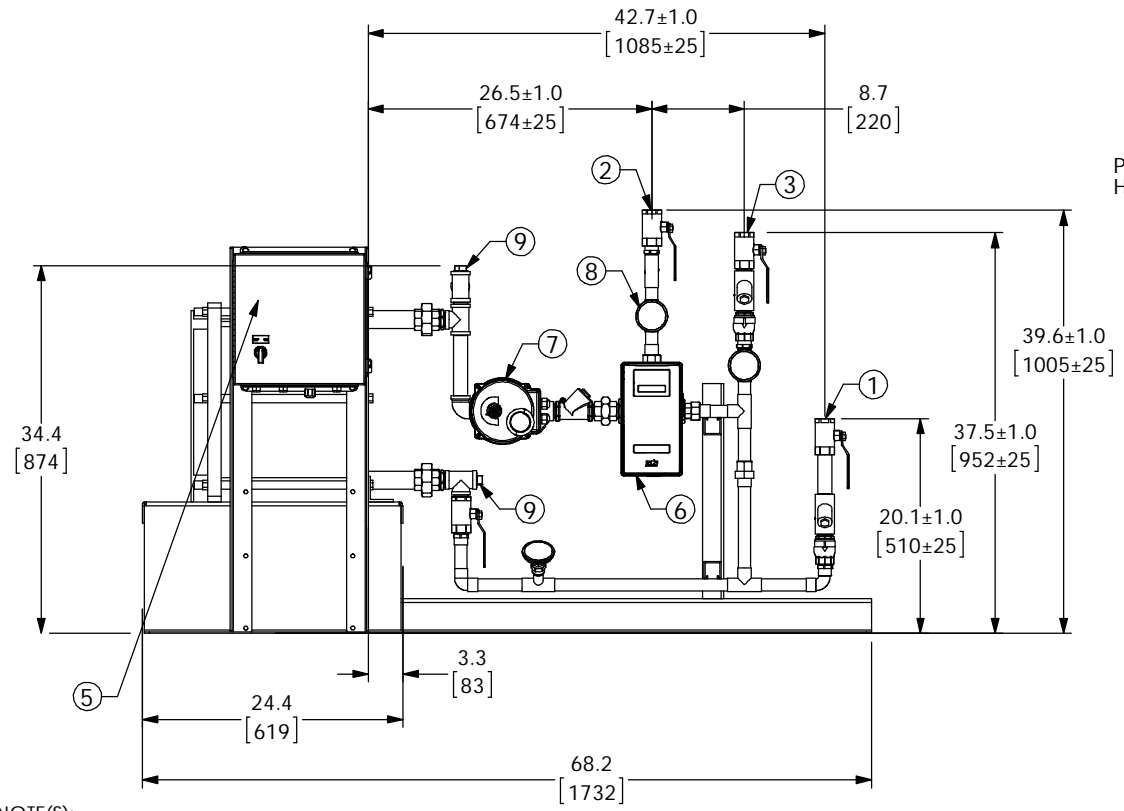


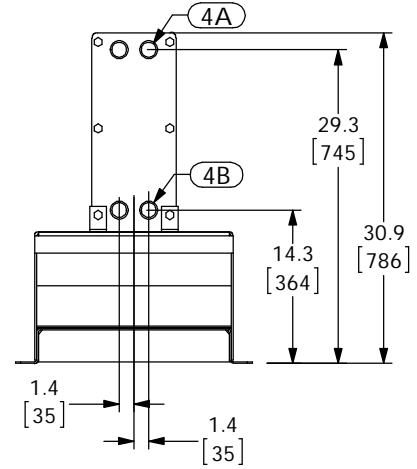
**APPROVAL**  
 BY: \_\_\_\_\_ DATE: \_\_\_\_\_  
 APPROVED, PROCEED WITH FABRICATION  
 APPROVED AS NOTED, PROCEED WITH FABRICATION IN ACCORDANCE WITH COMMENTS  
 DISAPPROVED, DO NOT FABRICATE



**DIGITAL FLO BOILER WATER/WATER PLATE & FRAME HEAT EXCHANGER DOUBLE WALL**



PIPING AND COMPONENTS HIDDEN TO SHOW CONNECTIONS



**PROJECT NAME :**

**TAG :**

ITEM	DESCRIPTION	CONNECTION
1	COLD WATER INLET	1" NPT
2	MIXED WATER OUTLET	1" NPT
3	RECIRC WATER INLET	1" NPT
4A	PRIMARY(BOILER) INLET	1-1/4" NPT
4B	PRIMARY(BOILER) OUTLET	1-1/4" NPT
5	ELECTRICAL PANEL/BRAINSCAN	110VAC @ 1.2A
6	DRV40	1-1/2" NPT
7	N.C. ACTUATED BALL VALVE SAFETY SHUT OFF	1" NPT
8	THERMOMETER (3)	
9	CIP CONNECTION (2)	1" NPT
10	SRV(PRESSURE) PIPE TO DRAIN	1" NPT
11	SRV(CONNECTION FOR USER SUPPLIED T&P)	3/4" NPT

ITEM	MATERIAL
PIPING	COPPER TYPE "L"
EXCHANGER PLATE MATL.	T316L SS
EXCHANGER GASKET MATL.	NITRILE

- NOTE(S):
- ALL DIMENSIONS +/- .5[13] UNLESS OTHERWISE SHOWN.
  - COMPLETE ASSEMBLY LEAD FREE COMPLIANT - THE WETTED SURFACE OF THIS PRODUCT CONTACTED BY CONSUMABLE WATER CONTAINS LESS THAN ONE QUARTER OF ONE PERCENT (0.25%) OF LEAD BY WEIGHT.
  - PACKAGE INCLUDES ALL REQUIRED INLET CHECK VALVES AND STRAINERS ON DOMESTIC SIDE.
  - DRV, SAFETY SHUT OFF AND ELECTRICAL PANEL ARE PREWIRED TO PROVIDE A SINGLE ELECTRICAL LANDING POINT AT THE PANEL.

 DO NOT SCALE DRAWING TOLERANCES UNLESS OTHERWISE SPECIFIED DIMENSIONING ENGLISH [mm] FRACTIONAL ± 1/64 ANGULAR: ± 2	 <b>Armstrong</b>	<b>ARMSTRONG INTERNATIONAL</b> Copyright © 2010 ARMSTRONG INTERNATIONAL, INC.							
		<b>DF15WDW40BS 1 NPT CPR</b>							
<table border="1"> <tr> <td>NAME</td> <td>DATE</td> </tr> <tr> <td>DRAWN</td> <td>02/26/2013</td> </tr> <tr> <td>RELEASED</td> <td>SALES</td> </tr> </table>	NAME	DATE	DRAWN	02/26/2013	RELEASED	SALES	CONFIG# (C-XXXXXX)	MATERIAL	SHEET 1 OF 1
NAME	DATE								
DRAWN	02/26/2013								
RELEASED	SALES								
		REV	DWG: D5XXXXX						