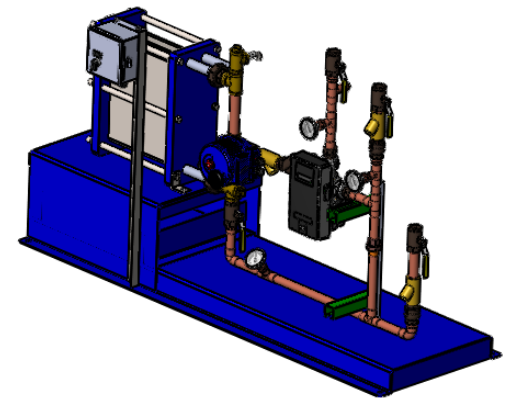
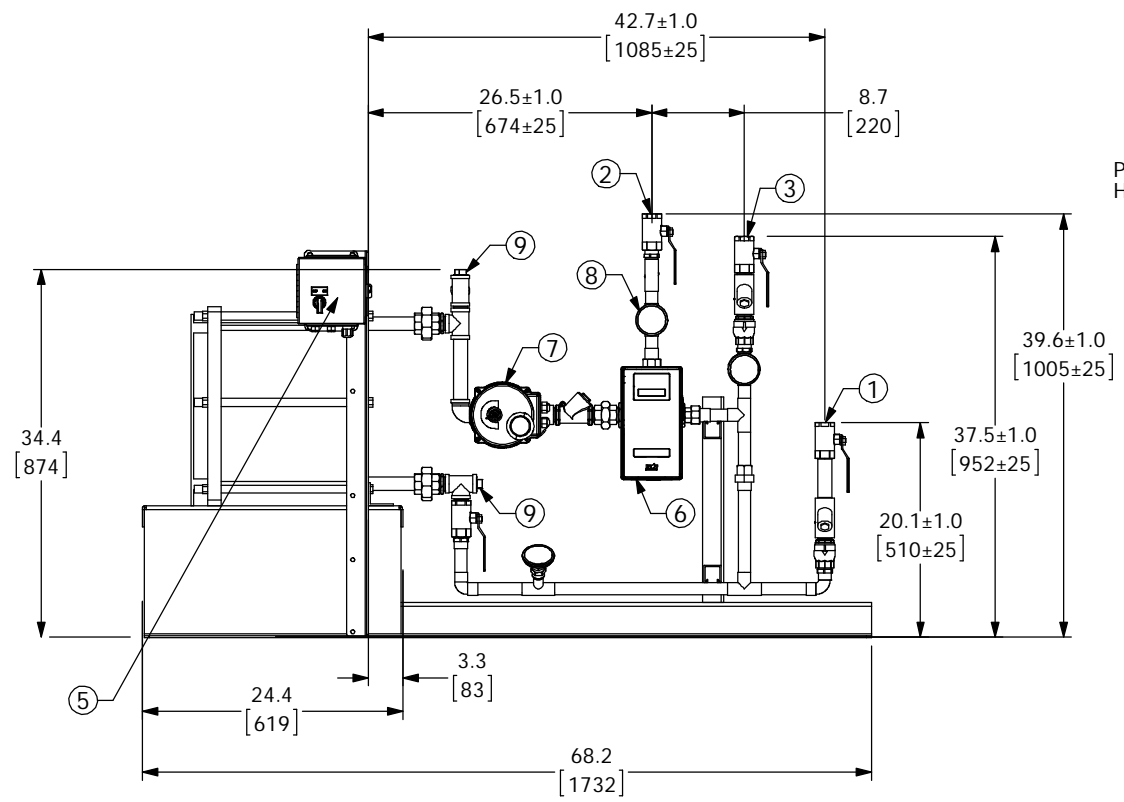


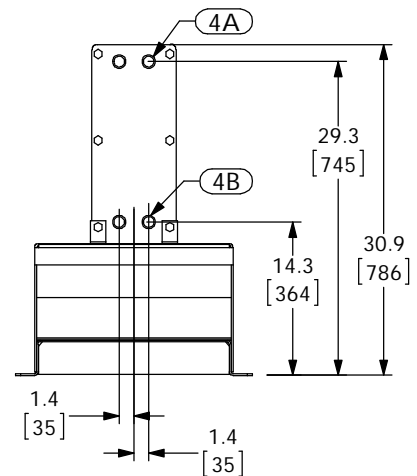
APPROVAL
 BY: _____ DATE: _____
 APPROVED, PROCEED WITH FABRICATION
 APPROVED AS NOTED, PROCEED WITH FABRICATION IN ACCORDANCE WITH COMMENTS
 DISAPPROVED, DO NOT FABRICATE



DIGITAL FLO BOILER WATER/WATER PLATE & FRAME HEAT EXCHANGER SINGLE WALL



PIPING AND COMPONENTS HIDDEN TO SHOW CONNECTIONS



PROJECT NAME :

TAG :

ITEM	DESCRIPTION	CONNECTION
1	COLD WATER INLET	1" NPT
2	MIXED WATER OUTLET	1" NPT
3	RECIRC WATER INLET	1" NPT
4A	PRIMARY(BOILER) INLET	1-1/4" NPT
4B	PRIMARY(BOILER) OUTLET	1-1/4" NPT
5	ELECTRICAL PANEL	110VAC @ 0.7A
6	DRV40	1-1/2" NPT
7	N.C. ACTUATED BALL VALVE SAFETY SHUT OFF	1" NPT
8	THERMOMETER (3)	
9	CIP CONNECTION (2)	1" NPT
10	SRV(PRESSURE) PIPE TO DRAIN	1" NPT
11	SRV(CONNECTION FOR USER SUPPLIED T&P)	3/4" NPT

ITEM	MATERIAL
PIPING	COPPER TYPE "L"
EXCHANGER PLATE MATL.	T316L SS
EXCHANGER GASKET MATL.	NITRILE

- NOTE(S):
- ALL DIMENSIONS +/- .5[13] UNLESS OTHERWISE SHOWN.
 - COMPLETE ASSEMBLY LEAD FREE COMPLIANT - THE WETTED SURFACE OF THIS PRODUCT CONTACTED BY CONSUMABLE WATER CONTAINS LESS THAN ONE QUARTER OF ONE PERCENT (0.25%) OF LEAD BY WEIGHT.
 - PACKAGE INCLUDES ALL REQUIRED INLET CHECK VALVES AND STRAINERS ON DOMESTIC SIDE.
 - DRV, SAFETY SHUT OFF AND ELECTRICAL PANEL ARE PREWIRED TO PROVIDE A SINGLE ELECTRICAL LANDING POINT AT THE PANEL.

DO NOT SCALE DRAWING TOLERANCES UNLESS OTHERWISE SPECIFIED DIMENSIONING ENGLISH [mm]	
FRACTIONAL ± 1/64	IN. MM
ANGULAR ± 2	-----
DECIMAL .XXX ± .0005	-----
.XX ± .015	.010
.X ± .03	.10

NAME	DATE
CFG	02/26/2013
RELEASED	SALES

ARMSTRONG INTERNATIONAL
 Copyright © 2010 ARMSTRONG INTERNATIONAL, INC.

DF15W40 1 NPT CPR

CONFIG# (C-XXXXXX)

MATERIAL	SHEET 1 OF 1
REV	DWG. D5XXXXX