

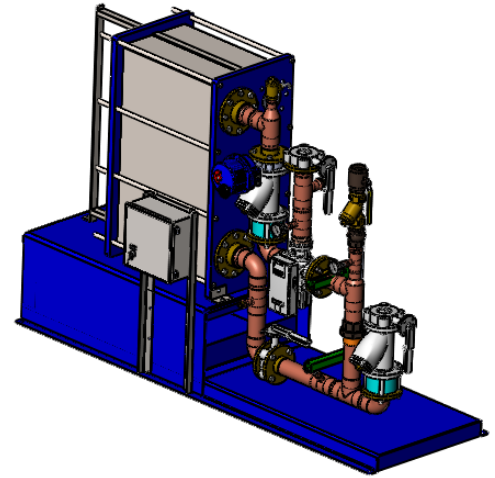
APPROVAL

BY: _____ DATE: _____

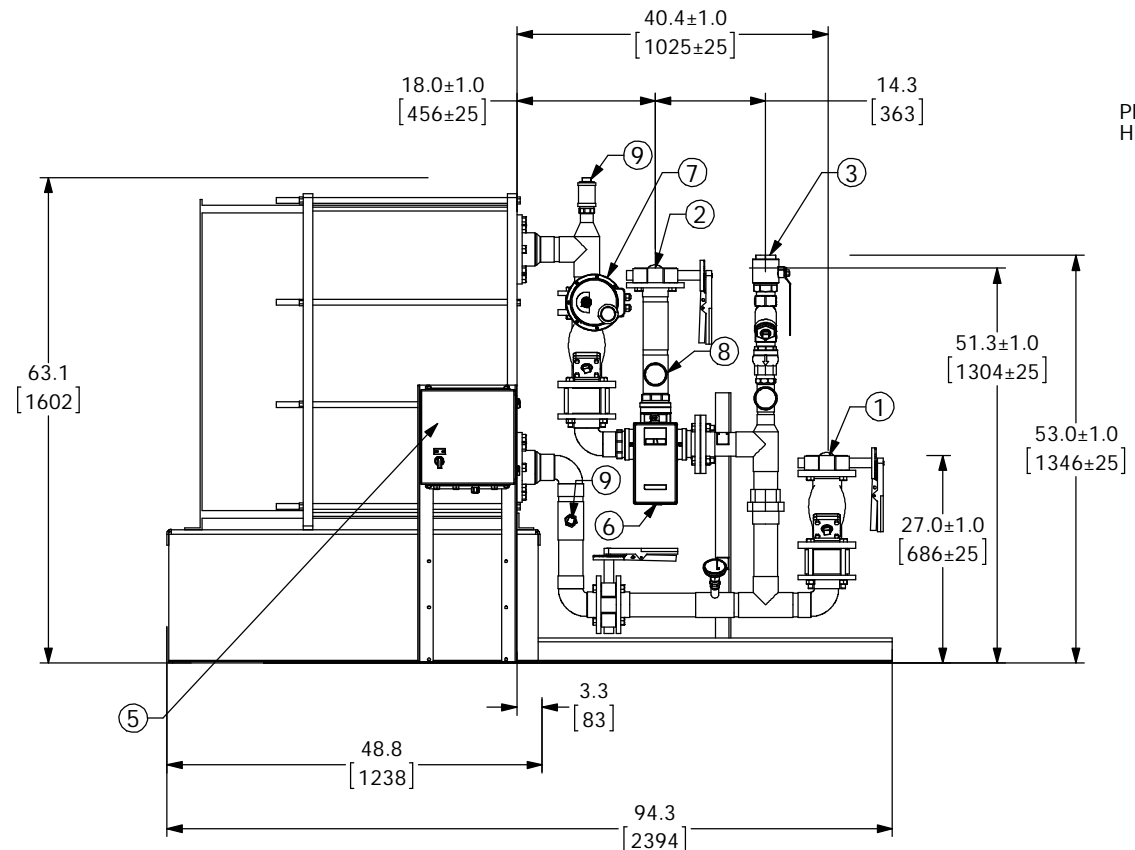
APPROVED, PROCEED WITH FABRICATION

APPROVED AS NOTED, PROCEED WITH FABRICATION IN ACCORDANCE WITH COMMENTS

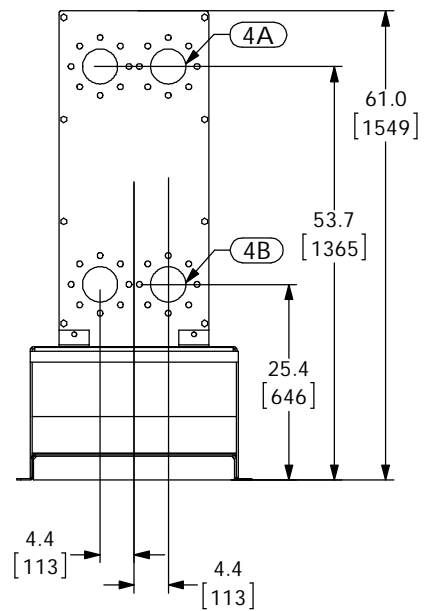
DISAPPROVED, DO NOT FABRICATE



DIGITAL FLO BOILER WATER/WATER PLATE & FRAME HEAT EXCHANGER SINGLE WALL



PIPING AND COMPONENTS HIDDEN TO SHOW CONNECTIONS



PROJECT NAME :

TAG :

| ITEM | DESCRIPTION | CONNECTION |
|------|--|-------------------|
| 1 | COLD WATER INLET | 3" FLG ANSI 150 |
| 2 | MIXED WATER OUTLET | 3" FLG ANSI 150 |
| 3 | RECIRC WATER INLET | 2" NPT |
| 4A | PRIMARY(BOILER) INLET | 4" FLG ANSI 150 |
| 4B | PRIMARY(BOILER) OUTLET | 4" FLG ANSI 150 |
| 5 | ELECTRICAL PANEL/BRAINSKAN | 110VAC @ 1.2A |
| 6 | DRV80 | 3" NPT |
| 7 | N.C. ACTUATED BALL VALVE SAFETY SHUT OFF | 3" WAFER |
| 8 | THERMOMETER (3) | |
| 9 | CIP CONNECTION (2) | 1-1/2" AND 1" NPT |
| 10 | SRV(PRESSURE) PIPE TO DRAIN | 1" NPT |
| 11 | SRV(CONNECTION FOR USER SUPPLIED T&P) | 1-1/2" NPT |

| ITEM | MATERIAL |
|------------------------|-----------------|
| PIPING | COPPER TYPE "L" |
| EXCHANGER PLATE MATL. | T316L SS |
| EXCHANGER GASKET MATL. | NITRILE |

- NOTE(S):
- ALL DIMENSIONS +/- .5[13] UNLESS OTHERWISE SHOWN.
 - COMPLETE ASSEMBLY LEAD FREE COMPLIANT - THE WETTED SURFACE OF THIS PRODUCT CONTACTED BY CONSUMABLE WATER CONTAINS LESS THAN ONE QUARTER OF ONE PERCENT (0.25%) OF LEAD BY WEIGHT.
 - PACKAGE INCLUDES ALL REQUIRED INLET CHECK VALVES AND STRAINERS ON DOMESTIC SIDE.
 - DRV, SAFETY SHUT OFF AND ELECTRICAL PANEL ARE PREWIRED TO PROVIDE A SINGLE ELECTRICAL LANDING POINT AT THE PANEL.

DO NOT SCALE DRAWING
TOLERANCES UNLESS OTHERWISE SPECIFIED
DIMENSIONING ENGLISH [mm]

| | |
|------------|--------|
| FRACTIONAL | ± 1/64 |
| ANGULAR | ± 2 |

| | IN. | MM |
|---------|-------------|----------|
| DECIMAL | XXX ± .0005 | ---- |
| | XXX ± .005 | .010 |
| | XX ± .015 | .10 |
| | X | ----- .3 |

Armstrong

| NAME | DATE |
|----------|----------------|
| DRAWN | CFG 02/26/2013 |
| RELEASED | SALES |

ARMSTRONG INTERNATIONAL
Copyright © 2010 ARMSTRONG INTERNATIONAL, INC.

DF120WE80BS 3 FLG 3 FLG 2 NPT CPR

CONFIG# (C-XXXXXX)

| | |
|----------|--------------|
| MATERIAL | SHEET 1 OF 1 |
| REV | DWG: D5XXXXX |