

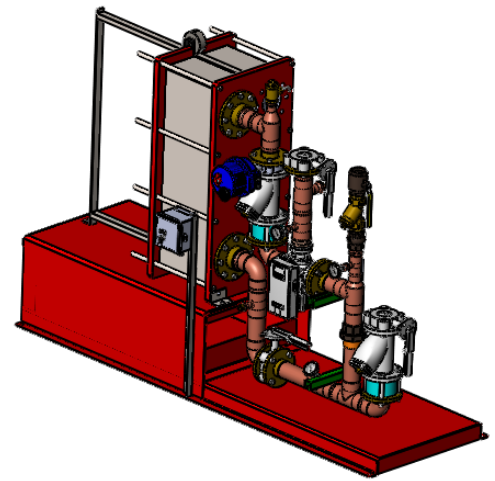
### APPROVAL

BY: \_\_\_\_\_ DATE: \_\_\_\_\_

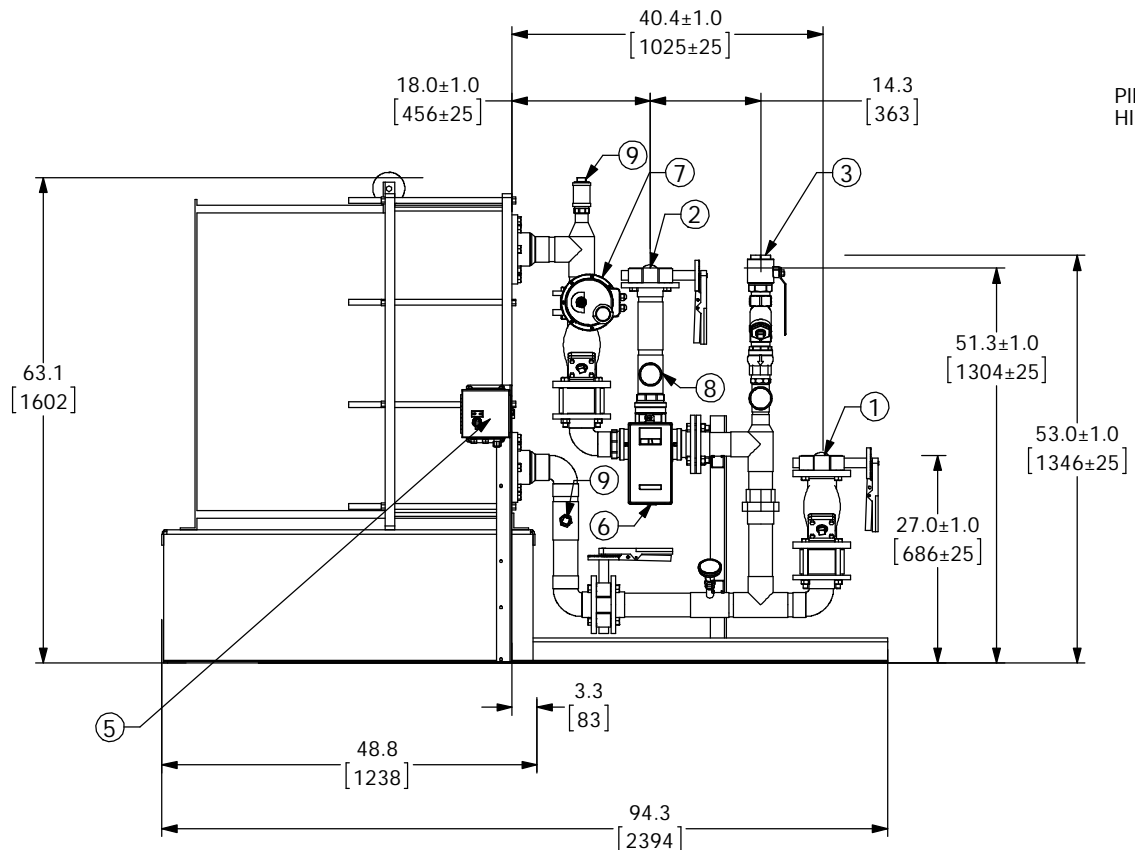
APPROVED, PROCEED WITH FABRICATION

APPROVED AS NOTED, PROCEED WITH FABRICATION IN ACCORDANCE WITH COMMENTS

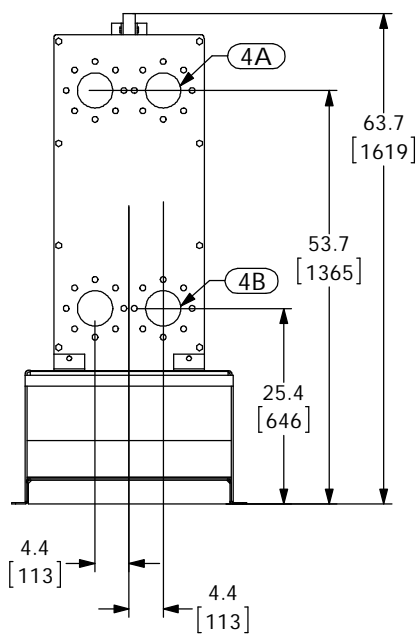
DISAPPROVED, DO NOT FABRICATE



**DIGITAL FLO BOILER WATER/WATER PLATE & FRAME HEAT EXCHANGER DOUBLE WALL**



PIPING AND COMPONENTS HIDDEN TO SHOW CONNECTIONS



**PROJECT NAME :**

**TAG :**

ITEM	DESCRIPTION	CONNECTION
1	COLD WATER INLET	3" FLG ANSI 150
2	MIXED WATER OUTLET	3" FLG ANSI 150
3	RECIRC WATER INLET	2" NPT
4A	PRIMARY(BOILER) INLET	4" FLG ANSI 150
4B	PRIMARY(BOILER) OUTLET	4" FLG ANSI 150
5	ELECTRICAL PANEL	110VAC @ 0.7A
6	DRV80	3" NPT
7	N.C. ACTUATED BALL VALVE SAFETY SHUT OFF	3" WAFER
8	THERMOMETER (3)	
9	CIP CONNECTION (2)	1-1/2" AND 1" NPT
10	SRV(PRESSURE) PIPE TO DRAIN	1" NPT
11	SRV(CONNECTION FOR USER SUPPLIED T&P)	1-1/2" NPT

ITEM	MATERIAL
PIPING	COPPER TYPE "L"
EXCHANGER PLATE MATL.	T316L SS
EXCHANGER GASKET MATL.	NITRILE

- NOTE(S):
- ALL DIMENSIONS +/- .5[13] UNLESS OTHERWISE SHOWN.
  - COMPLETE ASSEMBLY LEAD FREE COMPLIANT - THE WETTED SURFACE OF THIS PRODUCT CONTACTED BY CONSUMABLE WATER CONTAINS LESS THAN ONE QUARTER OF ONE PERCENT (0.25%) OF LEAD BY WEIGHT.
  - PACKAGE INCLUDES ALL REQUIRED INLET CHECK VALVES AND STRAINERS ON DOMESTIC SIDE.
  - DRV, SAFETY SHUT OFF AND ELECTRICAL PANEL ARE PREWIRED TO PROVIDE A SINGLE ELECTRICAL LANDING POINT AT THE PANEL.

 <b>ARMSTRONG INTERNATIONAL</b> Copyright © 2010 ARMSTRONG INTERNATIONAL, INC. <b>DF120WDW80 3 FLG 3 FLG 2 NPT CPR</b>		CONFIG# (C-XXXXXX)															
DO NOT SCALE DRAWING TOLERANCES UNLESS OTHERWISE SPECIFIED DIMENSIONING ENGLISH [mm]		NAME: _____ DATE: _____ MATERIAL: _____															
FRACTIONAL ± 1/64 ANGULAR: ± 2																	
<table border="1"> <thead> <tr> <th></th> <th>IN.</th> <th>MM</th> </tr> </thead> <tbody> <tr> <td>DECIMAL</td> <td>XXX ± .0005</td> <td>----</td> </tr> <tr> <td></td> <td>XXX ± .005</td> <td>.010</td> </tr> <tr> <td></td> <td>XX ± .015</td> <td>.10</td> </tr> <tr> <td></td> <td>X</td> <td>.3</td> </tr> </tbody> </table>			IN.	MM	DECIMAL	XXX ± .0005	----		XXX ± .005	.010		XX ± .015	.10		X	.3	DRAWN: CFG 02/26/2013 RELEASED: SALES
	IN.	MM															
DECIMAL	XXX ± .0005	----															
	XXX ± .005	.010															
	XX ± .015	.10															
	X	.3															
		SHEET 1 OF 1 REV: _____ DWG: D5XXXXX															