

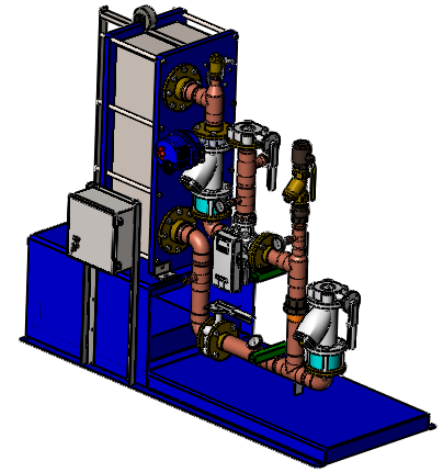
# APPROVAL

BY: \_\_\_\_\_ DATE: \_\_\_\_\_

APPROVED, PROCEED WITH FABRICATION

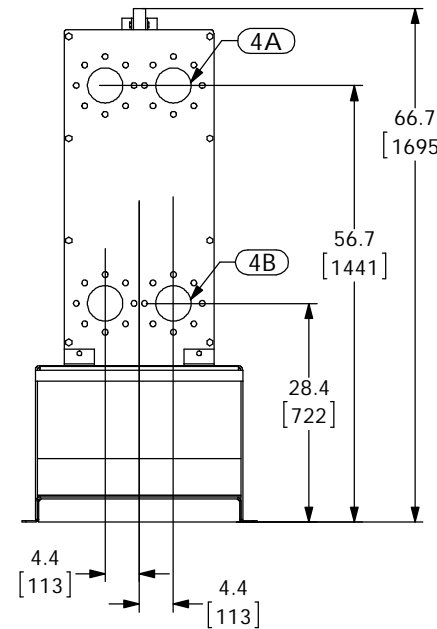
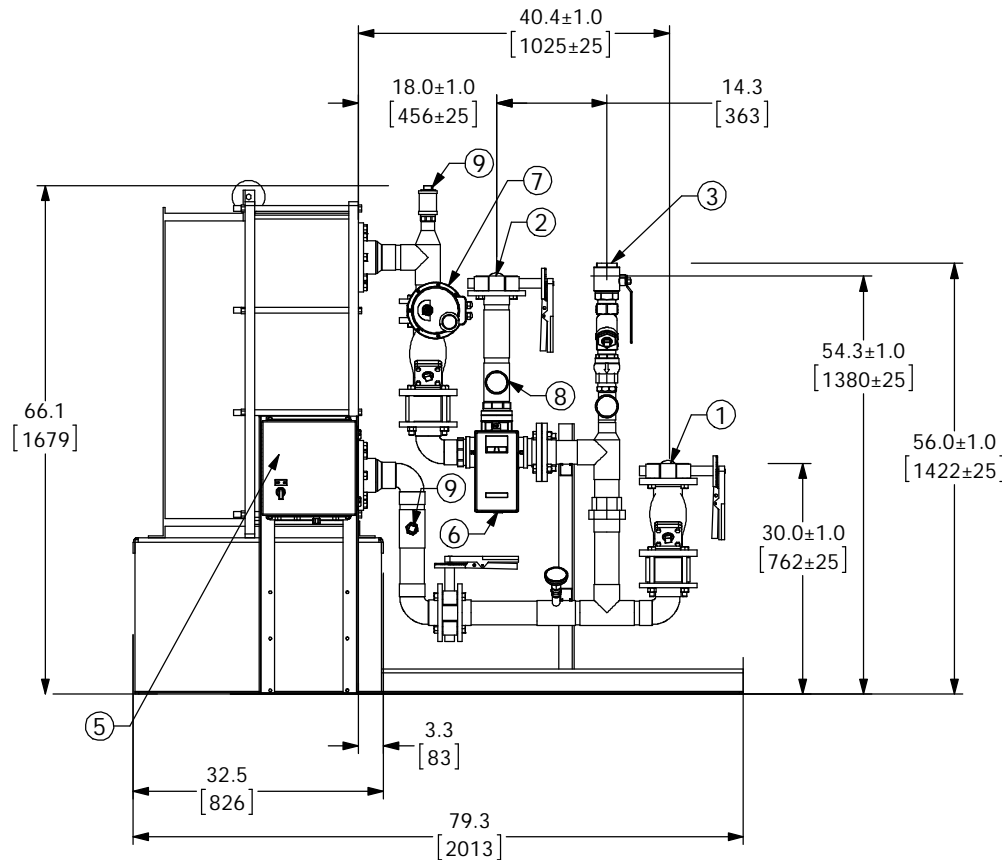
APPROVED AS NOTED, PROCEED WITH FABRICATION IN ACCORDANCE WITH COMMENTS

DISAPPROVED, DO NOT FABRICATE



**DIGITAL FLO BOILER WATER/WATER PLATE & FRAME HEAT EXCHANGER SINGLE WALL**

PIPING AND COMPONENTS HIDDEN TO SHOW CONNECTIONS



PROJECT NAME :

TAG :

| ITEM                   | DESCRIPTION                              | CONNECTION        |
|------------------------|--|-------------------|
| 1                      | COLD WATER INLET                         | 3" FLG ANSI 150   |
| 2                      | MIXED WATER OUTLET                       | 3" FLG ANSI 150   |
| 3                      | RECIRC WATER INLET                       | 2" NPT            |
| 4A                     | PRIMARY(BOILER) INLET                    | 4" FLG ANSI 150   |
| 4B                     | PRIMARY(BOILER) OUTLET                   | 4" FLG ANSI 150   |
| 5                      | ELECTRICAL PANEL/BRAINSCAN               | 110VAC @ 1.2A     |
| 6                      | DRV80                                    | 3" NPT            |
| 7                      | N.C. ACTUATED BALL VALVE SAFETY SHUT OFF | 3" WAFER          |
| 8                      | THERMOMETER (3)                          |                   |
| 9                      | CIP CONNECTION (2)                       | 1-1/2" AND 1" NPT |
| 10                     | SRV(PRESSURE) PIPE TO DRAIN              | 1" NPT            |
| 11                     | SRV(CONNECTION FOR USER SUPPLIED T&P)    | 1-1/2" NPT        |
| ITEM                   | MATERIAL                                 |                   |
| PIPING                 | COPPER TYPE "L"                          |                   |
| EXCHANGER PLATE MATL.  | T316L SS                                 |                   |
| EXCHANGER GASKET MATL. | NITRILE                                  |                   |

NOTE(S):

- ALL DIMENSIONS +/- .5[13] UNLESS OTHERWISE SHOWN.
- COMPLETE ASSEMBLY LEAD FREE COMPLIANT - THE WETTED SURFACE OF THIS PRODUCT CONTACTED BY CONSUMABLE WATER CONTAINS LESS THAN ONE QUARTER OF ONE PERCENT (0.25%) OF LEAD BY WEIGHT.
- PACKAGE INCLUDES ALL REQUIRED INLET CHECK VALVES AND STRAINERS ON DOMESTIC SIDE.
- DRV, SAFETY SHUT OFF AND ELECTRICAL PANEL ARE PREWIRED TO PROVIDE A SINGLE ELECTRICAL LANDING POINT AT THE PANEL.

|                                       |             |
|---------------------------------------|-------------|
|                                       |             |
| DO NOT SCALE DRAWING                  |             |
| TOLERANCES UNLESS OTHERWISE SPECIFIED |             |
| DIMENSIONING ENGLISH [mm]             |             |
| FRACTIONAL                            | ± 1/64      |
| ANGULAR                               | ± 2         |
| DECIMAL                               | XXX ± .0005 |
|                                       | XXX ± .005  |
|                                       | XX ± .015   |
|                                       | X ± .3      |

NAME: \_\_\_\_\_ DATE: \_\_\_\_\_

DRAWN: CFG 02/26/2013

RELEASED: SALES

**ARMSTRONG INTERNATIONAL**  
Copyright © 2010 ARMSTRONG INTERNATIONAL, INC.

**DF120W80BS 3 FLG 3 FLG 2 NPT CPR**

CONFIG# (C-XXXXXX)

MATERIAL: \_\_\_\_\_

SHEET 1 OF 1

REV: \_\_\_\_\_ DWG: D5XXXXX