

DIMENSIONS & DATA CERTIFIED FOR:

Representative:

Order:

Customer:

Order:

Project:

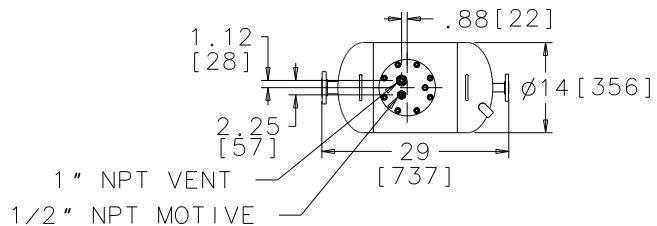
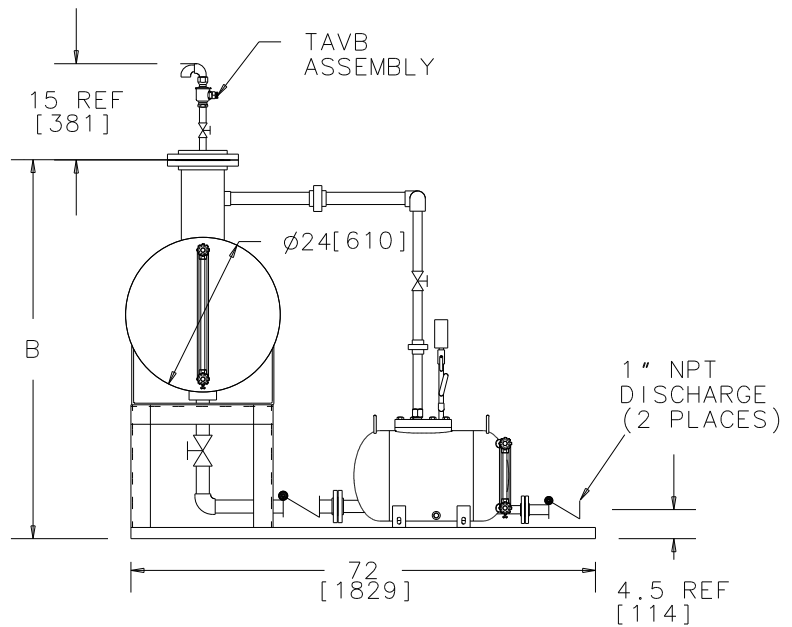
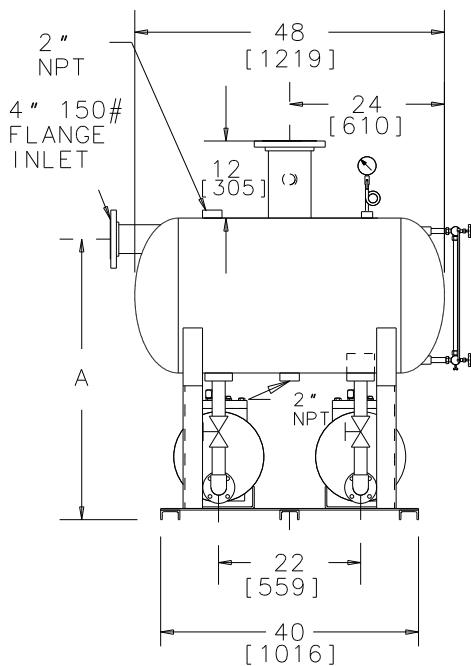
Requirements:

By:

Date:

DIMENSION	A	B
0" FILL HEAD	43	59
6" FILL HEAD	49	65
12" FILL HEAD	55	71
24" FILL HEAD	67	83

DIMENSION (mm)	A	B
25 FILL HEAD	1092	1499
152 FILL HEAD	1245	1651
304 FILL HEAD	1397	1803
609 FILL HEAD	1702	2108



NOTES:

1. RECEIVER ASME CODE 150 PSIG [10.3 BAR]
2. RECEIVER VOLUME: APPROX. 85 GALLONS [322 L]
3. FILL HEAD MUST BE SPECIFIED



Product	ENGLISH	CD No.	Date
DDD-6LBRP-24-CL	WEB	CD2257	6/26/07
	YIN		
	X	Rev; A cn21847	By; E. FRITTS