

DIMENSIONS & DATA CERTIFIED FOR:

Representative:

Order:

Customer:

Order:

Project:

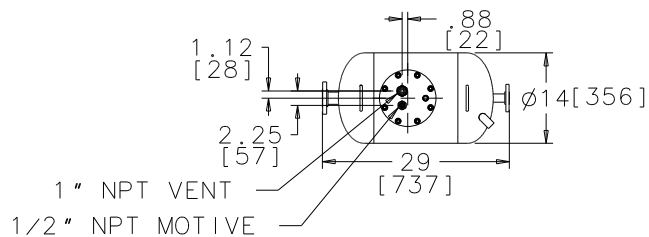
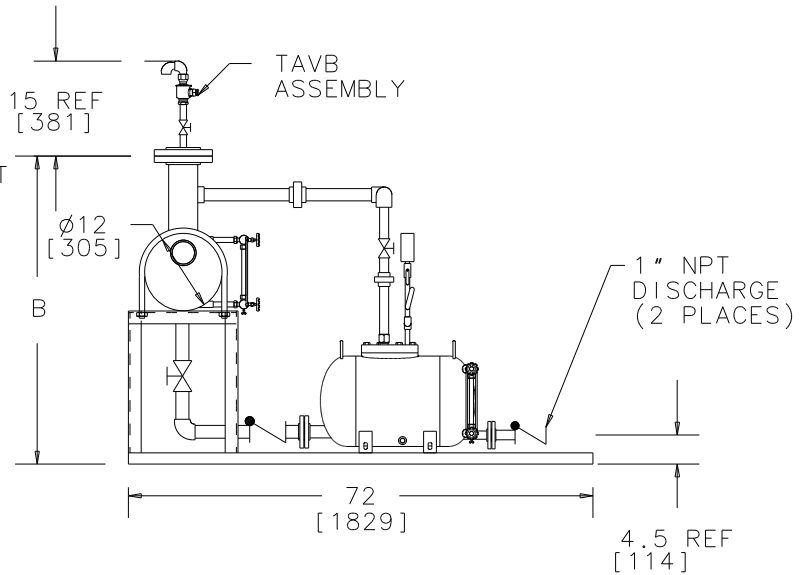
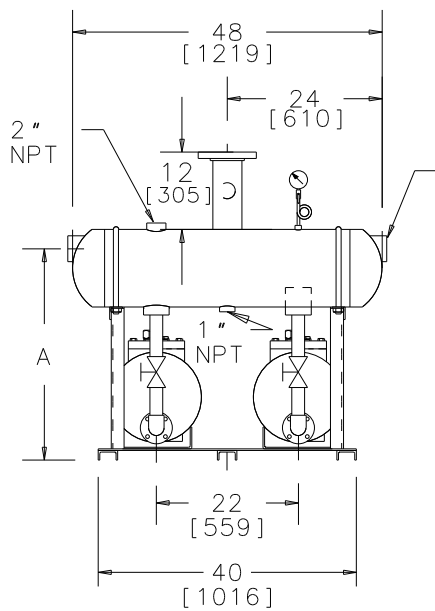
Requirements:

By:

Date:

DIMENSION	A	B
0" FILL HEAD	27	42
6" FILL HEAD	33	48
12" FILL HEAD	39	54
24" FILL HEAD	51	66

DIMENSION (mm)	A	B
25 FILL HEAD	686	1067
152 FILL HEAD	838	1219
304 FILL HEAD	991	1372
609 FILL HEAD	1295	1676



NOTES:

1. RECEIVER ASME CODE 150 PSIG [10.3 BAR]
2. RECEIVER VOLUME: APPROX. 22 GALLONS [83 L]
3. FILL HEAD MUST BE SPECIFIED



Product	ENGLISH	CD No.	Date
DDD-6LBRP-12-CL	WEB	CD2256	6/26/07
	Y N		
	X	Rev; A cn21847	By; E. FRITTS