

DIMENSIONS & DATA CERTIFIED FOR:

Representative:

Order:

Customer:

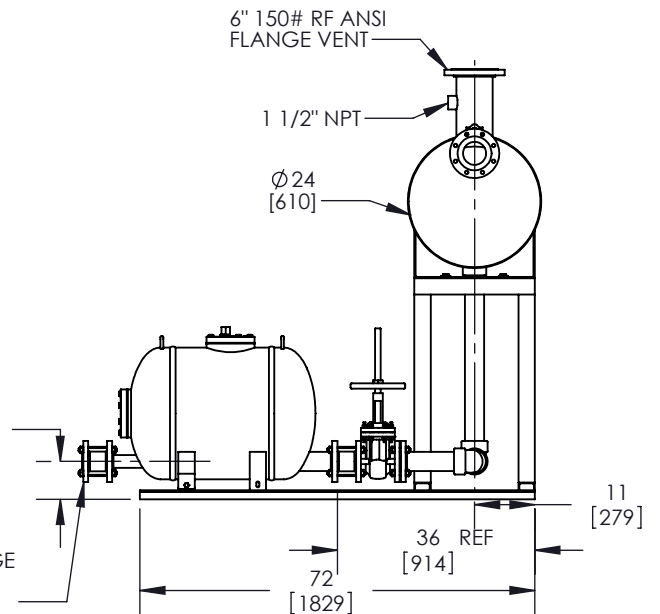
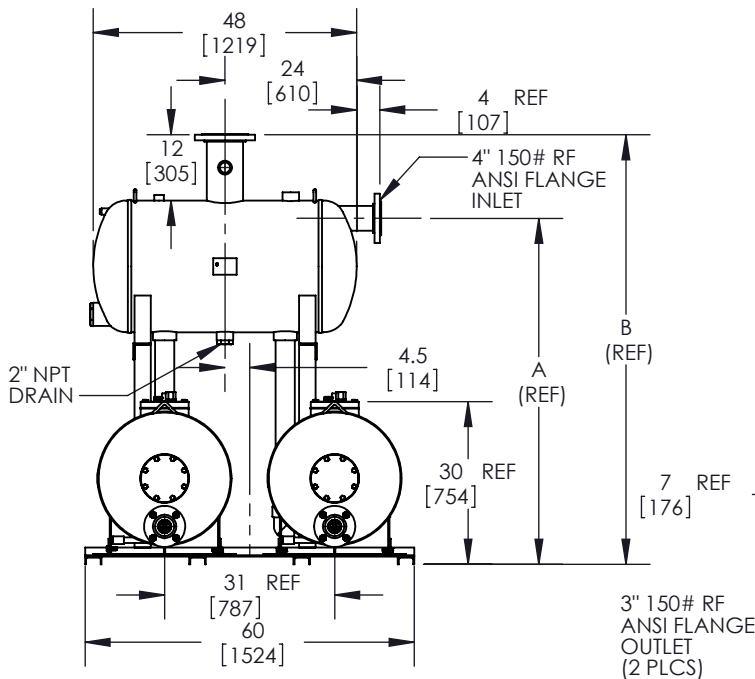
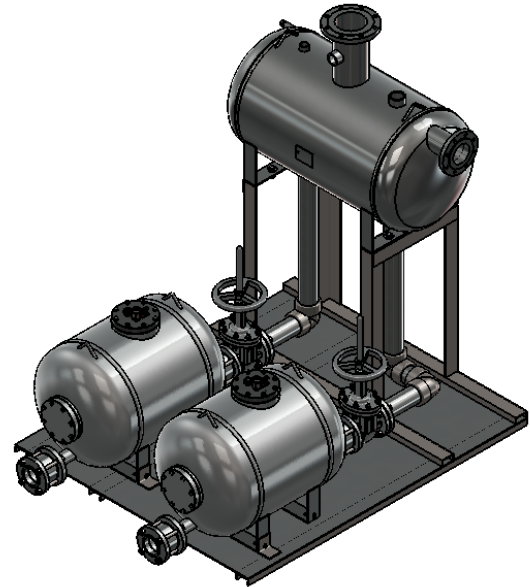
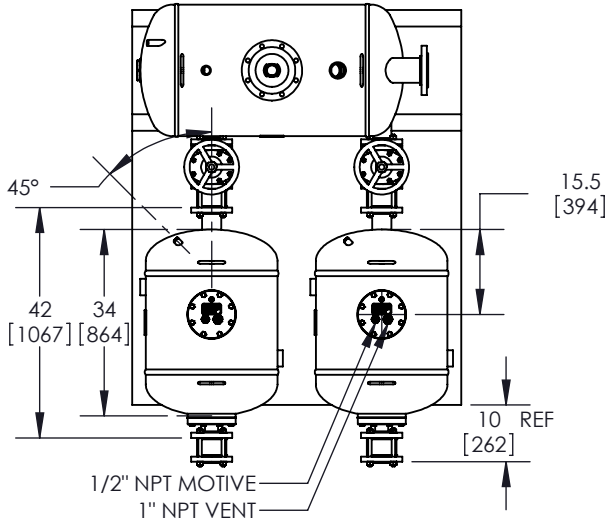
Order:

Project:

Requirements:

By:

Date:



NOTES:

1. RECEIVER ASME CODE: 150 PSIG
2. RECEIVER VOLUME: APPROX. 85 GALLONS
3. FILL HEAD MUST BE SPECIFIED

DIMENSION	A	B
0" FILL HEAD	51	66
6" FILL HEAD	57	72
12" FILL HEAD	63	78
24" FILL HEAD	75	90

DIMENSION [MM]	A	B
0 FILL HEAD	1295	1677
152 FILL HEAD	1448	1829
305 FILL HEAD	1600	1981
610 FILL HEAD	1905	2286



Product

DDD12-LBRPI-2448

ENGLISH

CD No.

Rev;

Date

WEB
Y|N
X

CD2475

A
CN23022

07/13/10

SHEET 1 OF 1

By: E.FRITTS