

DIMENSIONS & DATA CERTIFIED FOR:

Representative:

Order:

Customer:

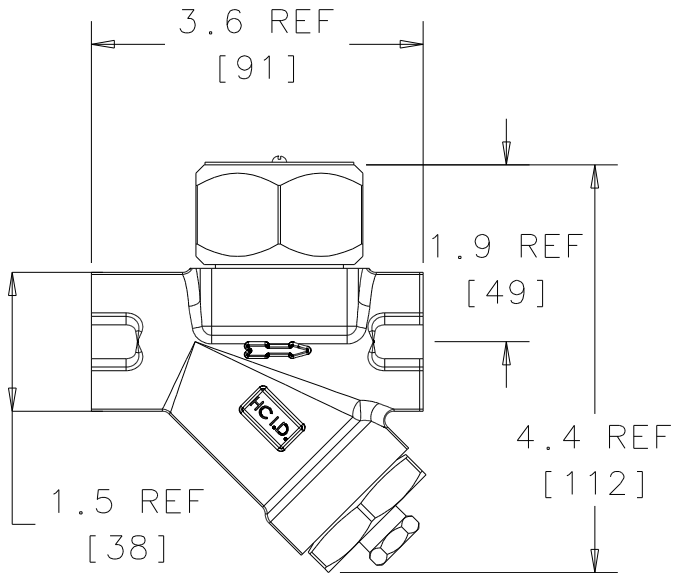
Order:

Project:

Requirements:

By:

Date:



NAME OF PART	MATERIAL
BODY	DUAL CERTIFIED ASTM A105N / A350 LF2 CL. 1
CAP	
SEAT	17-4 PH
DISK	ASTM A276 GR. 420
STRAINER SCREEN	30x30 MESH T304 S.S.
SCREEN RETAINER	A105N / LF2
BLOWDOWN PLUG(1/4 NPT)	T316

TECHNICAL INFORMATION

MODEL NO.	CD72S
CONNECTION	NPT 1/2 [DN 15] 3/4 [DN 20]
	SW 1/2 [DN 15] 3/4 [DN 20]

DESIGN INFORMATION

Δ PMx	600 psig [41 bar]
PMA	1010 psig @ 750°F [69.6 bar @ 400°C]



Product

CD72S

ENGLISH

WEB
Y | N
✓

CD No.

CD2222

Date

01/12/09

Rev; B

By; PCD