
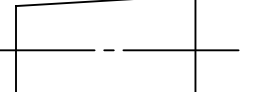



Standard ASH Model	Europe			
	ASH5 TPH 116-145psi [8-10barg]	ASH10 TPH 87-116psi [6-8barg]	ASH10 TPH 130-145psi [9-10barg]	ASH15 TPH 116-145psi [8-10barg]
Inlet Connection Size	DN32 PN25	DN50 PN25	DN50 PN25	DN65 PN25
Outlet Connection Size	DN50 PN25	DN80 PN25	DN100 PN25	DN80 PN25
"A" Length, in [mm]	87.41[2220]	87.41[2220]	87.41[2220]	87.41[2220]
"B" Width, in [mm]	35.90[911,9]	35.90[911,9]	35.90[911,9]	35.90[911,9]
"C" Height, in [mm]	70.27[1785]	72.24[1835]	76.81[1951]	74.44[1891]
Weight, lb [kg]	1074[487]	1106[502]	1160 [525]	1135[515]

\*All models indicated w/ total TPH size as well inlet pressure range of ASH

 	
DO NOT SCALE DRAWING	
TOLERANCES UNLESS OTHERWISE SPECIFIED	
DIMENSIONING ENGLISH [mm]	
FRACTIONAL	± 1/64
ANGULAR:	± 2
DECIMAL	.XXXX ± .0005
	.XXX ± .005
	.XX ± .015
	.X ± .3

		NAME	DATE
		DRAWN	Pichandi Dillitababu 06/22/2020
RELEASED			

ARMSTRONG INTERNATIONAL	
Copyright © 2010 ARMSTRONG INTERNATIONAL, INC.	
ASH STANDARD MODELS - EMEA	
MATERIAL	CN70462
REV A	DWG S39178-V3 SALES
SHEET 1 OF 1	