

# DIMENSIONS & DATA CERTIFIED FOR:

Representative:

Order:

Customer:

Order:

Project:

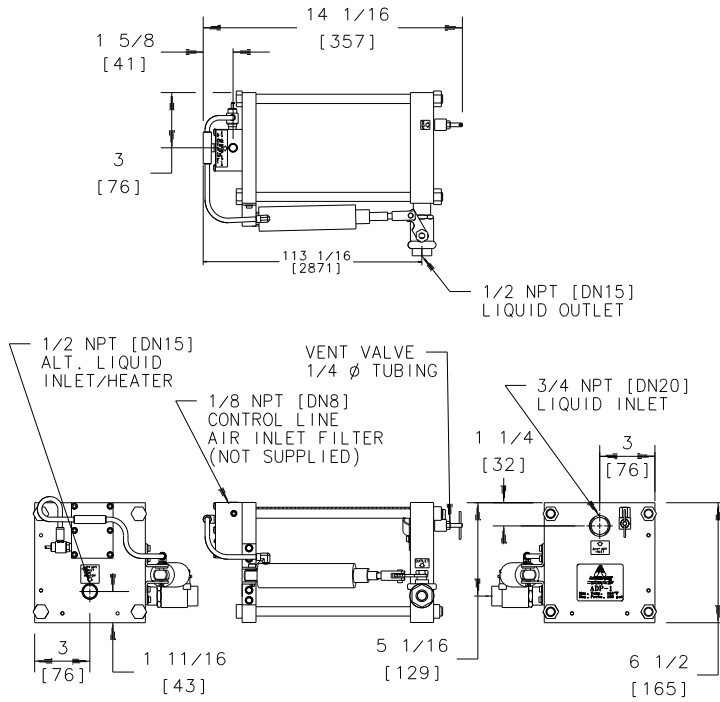
Requirements:

By:

Date:

## LIST OF MATERIALS:

NAME OF PART	MATERIAL	QTY.
TANK TUBING	FIBERGLASS	1
SCREW #6-32 X .125	T18-8 SS	1
BUSHING	TEFLON	2
AIR CYLINDER	STAINLESS STEEL	1
O'RING .103ØX2.23	VITON	1
O'RING .139ØX4.98	VITON	2
CLEVIS PIN -AIR CYL	ZINC PLT	1
HEX HD BLT 1/2-13X11	ZINC PLT	4
BALL VALVE 1/2 FULL	BRONZE	1
TEST VALVE	BRASS	1
TEE	BRASS	1
HAIRPIN COTTER	T18-8SS	1
CLEVIS PIN	T18-8SS	1
SCREW S.H.#5-40X1	T18-8SS	2
SCREW B.H.#10-32X1	T18-8SS	6
PIPE STRAP	T304/GALV	1
SCREW SET #10-32X.5	ALLOY STL.	1
ADAPTER-NORGREN	BRASS	1
BLEED VALVE	BRASS	1
MAGNET	ZINC PLT	1
FLOAT STEM	T304SS	1
TRIP PIN	T440C/F	1
FLOAT PIVOT PIN	T304SS	1
VALVE	T304SS	1
CYLINDER BRACKET	T304SS	2
ELBOW 90-DEG	BRASS	1
BRACKET LEVER	T304SS	1
SPACER BLOCK	VITON	1
MECHANISM ENCLOSURE	ALUM. 60/61T6	1
INLET HEAD	ALUM. 60/61T6	1
OUTLET HEAD	ALUM. 60/61T6	1
MECHANISM LEVER ARM	ALUM. 60/61T6	1
HEX NUTS #10-32	18-8SS	5
FLOAT	T304SS	1
SEAT	VITON	1
VALVE LEVER	T304SS	1
WASHER - FLAT	18-8SS	4
HEX NUTS 1/2-13	T316SS	4
PIPE NIP. 1/2X2 TBE	T316SS	1
CAP PLUG 1/8NPT	PLASTIC	1
CAP PLUG 1/2NPT	PLASTIC	1
CAP PLUG 3/4NPT	PLASTIC	1
SELF TAP SCR #10-18	T410SS	5
TUBING 1/4 O.D.	POLYETHYLENE	1.17'
CYL MTG ARM	T304SS	1



## TECHNICAL INFORMATION

### OPTIONS:

HEATER ASSEMBLY, ADAPTER & ELEMENT		1ea
LEG/WALL MOUNT-2.5"	T304SS	2
LEG/WALL MOUNT-4.0"	T304SS	2
CYCLE COUNTER	PLASTIC	1
CYCLE COUNTER BRACKET	T304SS	1
CYCLE COUNTER BRACKET SCREWS	T410SS	4
WEIGHT	14 lbs. [6.4 kg]	

### DESIGN INFORMATION

MAXIMUM OPERATING PRESSURE/TEMP.	180 psig at 150°F [12 bar at 66°C]
MAXIMUM CONTROL AIR PRESSURE	80-120 psig [6-8 bar]



Armstrong International, Inc.  
Three Rivers Division  
Three Rivers, MI 49093

Armstrong (269) 273-1415 Fax(269) 278-6555  
Posted on Armstrong's homepage [www.armstronginternational.com](http://www.armstronginternational.com)

Product

CD No.

Date

ADP1  
LIQUID  
DRAINER

1271

8/13/03

Rev; A

By; Paul G.