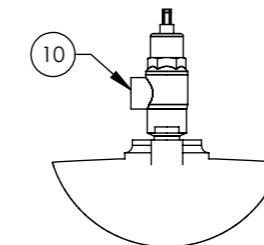
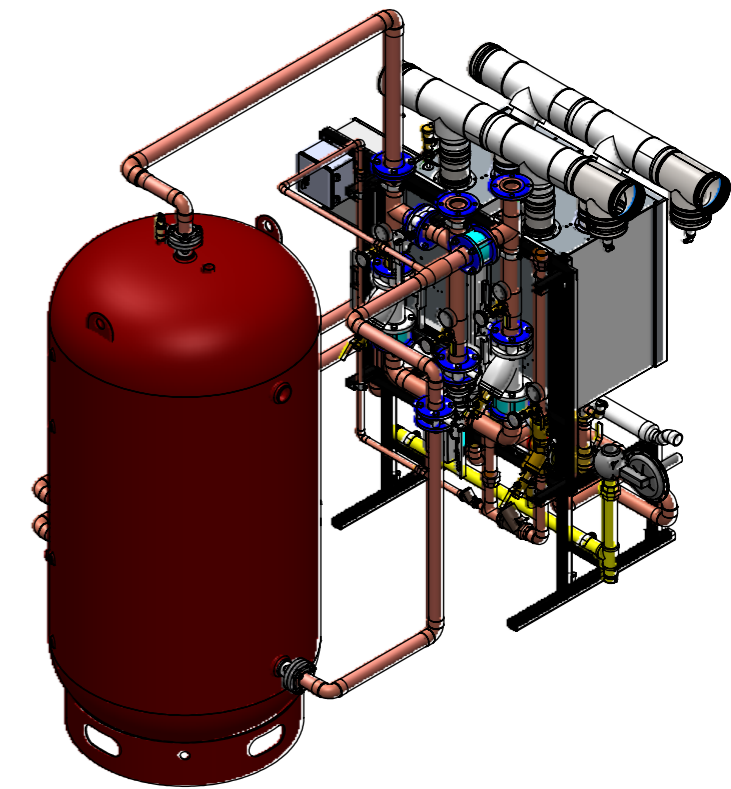


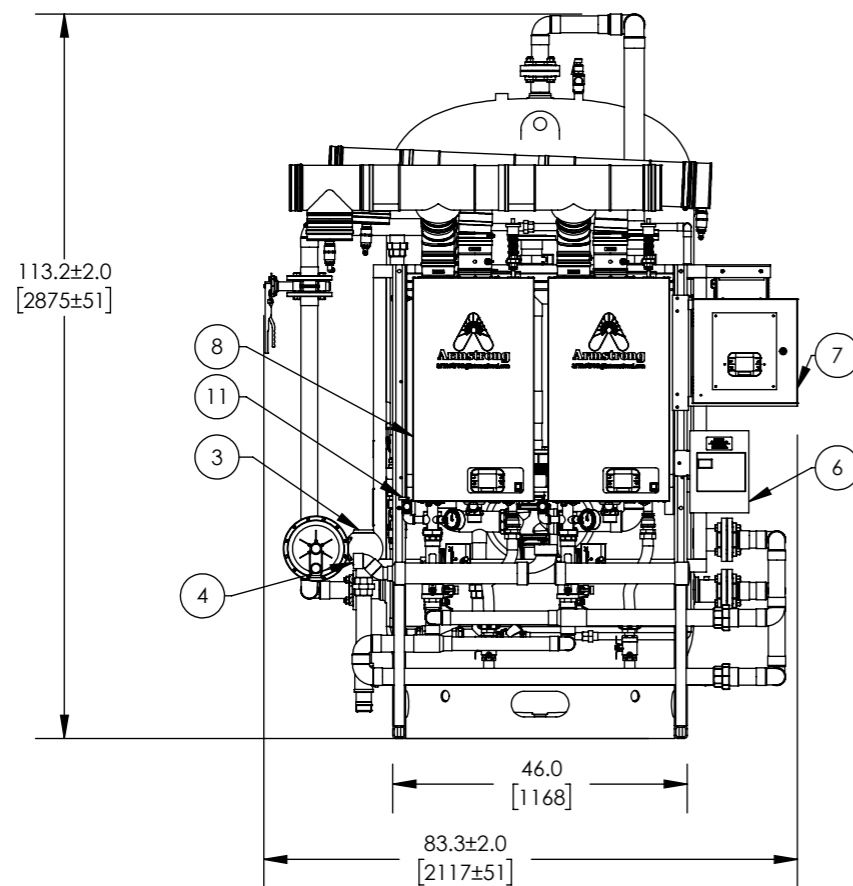
LOW WATER CUTOFF AND PUMP
[NOT FULLY DETAILED]



TOP OF TANK CONNECTION
PIPING HIDDEN FOR CLARITY



BACKSIDE VIEW OF THE WATER HEATERS



APPROVAL

BY: _____ DATE: _____

- APPROVED, PROCEED WITH FABRICATION
- APPROVED AS NOTED, PROCEED WITH FABRICATION IN ACCORDANCE WITH COMMENTS
- DISAPPROVED, DO NOT FABRICATE

ITEM	DESCRIPTION	QTY	CONNECTION
1	VENT INTAKE	1	7" CONN
2	VENT EXHAUST	1	7" CONN
3	GAS REGULATOR 5 PSI NG/LPG	1	2" NPT
4	CONDENSATE OUTLET	1	1-1/2" SOC
5	STORAGE TANK 48 DIA 750 GALLON	1	
6	LOAD CENTER	1	(208/240)/1/60
7	CASCADE PANEL	1	
8	ABH-599	2	
9	COLD WATER INLET	1	3" FLG ANSI 150
10	TANK RELIEF VALVE 125#	1	3/4" NPT
11	HEATER RELIEF VALVE 125#	2	3/4" NPT
12	MIXED WATER OUTLET	1	3" FLG ANSI 150
13	RECIRC RETURN INLET	1	2" SWT
14	DMC80 ASSEMBLY	1	SEE DMC APPROVAL SHEET
15	CIRCULATOR PUMP 39.6 GPM	1	
16	LOW WATER CUT-OFF	2	

ITEM	CONNECTION
WATER PIPING	COPPER TYPE "L"
VENTING CONNECTIONS	SS
TANK INSULATION TYPE	BARE METAL
TANK LINING	GLASS

DO NOT SCALE DRAWING TOLERANCES UNLESS OTHERWISE SPECIFIED		
DIMENSIONING ENGLISH [mm]		
FRACTIONAL ± 1/64 ANGULAR: ± 2		
DECIMAL	.XXXX ± .0005	IN. MM
	.XXX ± .005	.010
	.XX ± .015	.10
	.X ± .3	.3

NAME	DATE
CFG	5/18/2015

ARMSTRONG INTERNATIONAL
Copyright © 2010 ARMSTRONG INTERNATIONAL, INC.

ABH599MD 2 750A CWIS NAT GAS DMC80

MATERIAL	SHEET 1 OF 1
CN69799	REV A SALES

NOTES:

- CLERANCE NOTE: LEAVE 24[610] SERVICE CLEARANCE INFRONT OF THE ABH BOXES. LEAVE 18[457] SERVICE CLEARANCE INFRONT OF THE TANK MANWAY
- (10) AND GAUGES ARE SHIPPED LOOSE. TO BE INSTALLED IN FIELD
- N/A
- THE DISTANCE BETWEEN THE OUTERMOST COMPONENT OF THE DMC TO THE OUTERMOST COMPONENT OF THE TANK SHOULD BE 24 +/- 1.0 [610 +/- 25]
- ALL PIPING FROM DMC TO TANK AND WATER MANIFOLD TO TANK WILL NEED SUPPORTS ADDED IN THE FIELD AS REQUIRED