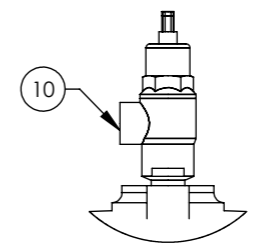
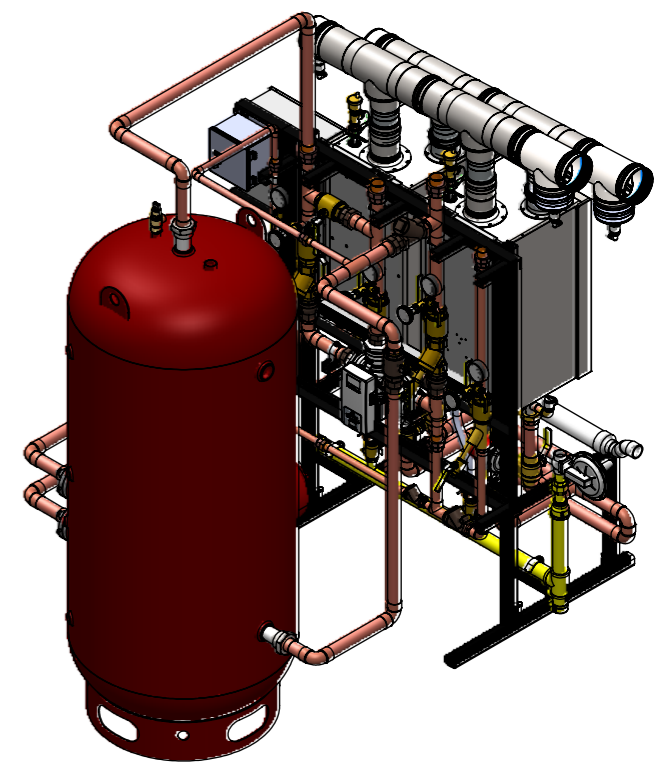


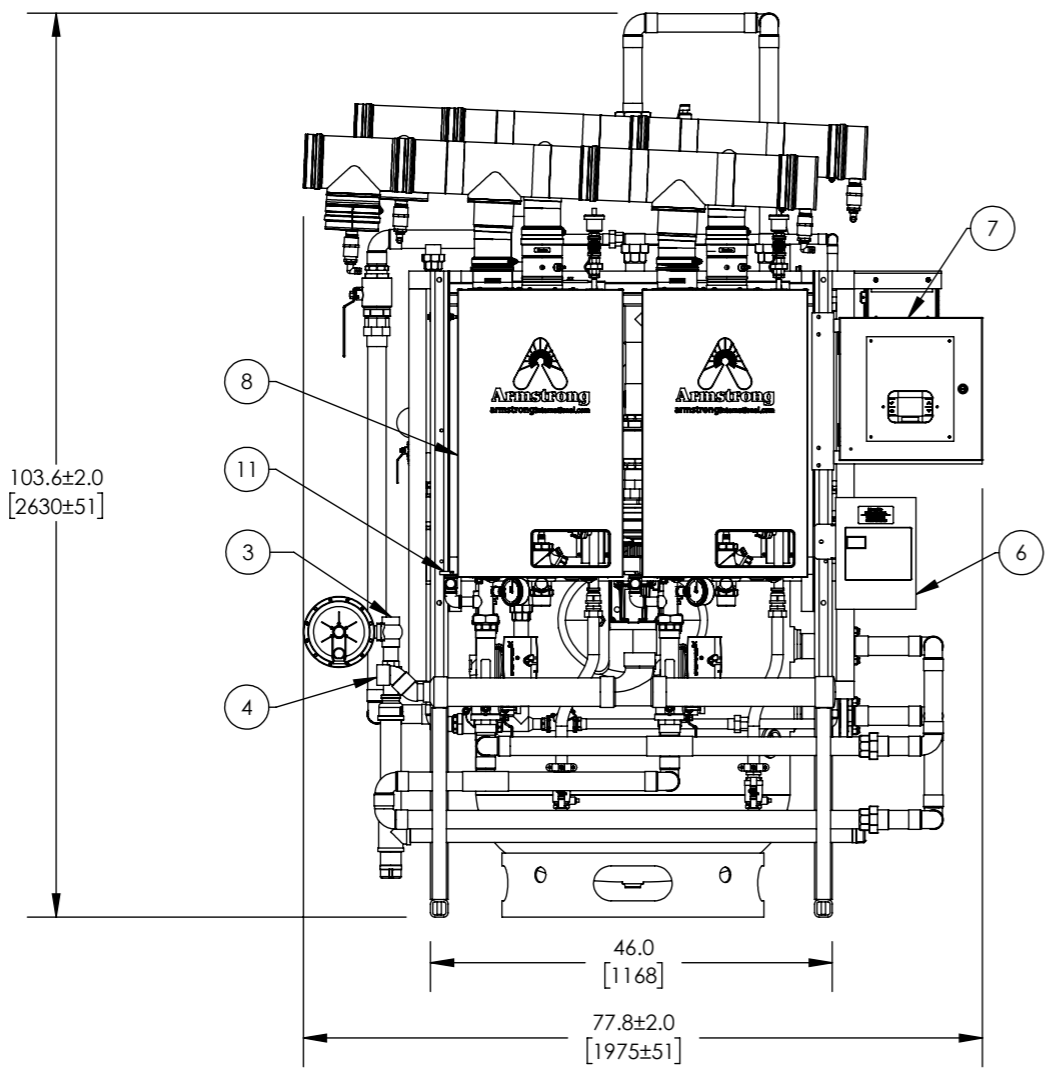
LOW WATER CUTOFF AND PUMP
[NOT FULLY DETAILED]



TOP OF TANK CONNECTION
PIPING HIDDEN FOR CLARITY



BACKSIDE VIEW OF THE WATER HEATERS



ITEM	DESCRIPTION	QTY	CONNECTION
1	VENT INTAKE	1	6" CONN
2	VENT EXHAUST	1	6" CONN
3	GAS REGULATOR 2 PSI NG/LPG	1	1-1/4" NPT
4	CONDENSATE OUTLET	1	1-1/2" SOC
5	STORAGE TANK 36 DIA 350 GALLON	1	
6	LOAD CENTER	1	(208/240)/1/60
7	CASCADE PANEL	1	
8	ABH-399	2	
9	COLD WATER INLET	1	2" SWT
10	TANK RELIEF VALVE 125#	1	3/4" NPT
11	HEATER RELIEF VALVE 125#	2	3/4" NPT
12	MIXED WATER OUTLET	1	2" SWT
13	RECIRC RETURN INLET	1	1" SWT
14	DMC25 ASSEMBLY	1	SEE DMC APPROVAL SHEET
15	CIRCULATOR PUMP 26.4 GPM	2	
16	LOW WATER CUT-OFF	2	

APPROVAL

BY: _____ DATE: _____

APPROVED, PROCEED WITH FABRICATION

APPROVED AS NOTED, PROCEED WITH FABRICATION IN ACCORDANCE WITH COMMENTS

DISAPPROVED, DO NOT FABRICATE

DO NOT SCALE DRAWING TOLERANCES UNLESS OTHERWISE SPECIFIED		
DIMENSIONING ENGLISH [mm]		
FRACTIONAL ± 1/64 ANGULAR: ± 2		
DECIMAL	.XXXX ± .0005	IN. MM
	.XXX ± .005	.010
	.XX ± .015	.10
	.X	.3

		NAME	DATE
		CFG	5/18/2015
RELEASED			

ARMSTRONG INTERNATIONAL Copyright © 2010 ARMSTRONG INTERNATIONAL, INC. ABH399MD 2 350A CWIS NAT GAS DMC50		
MATERIAL	SHEET 1 OF 1	
CN69799	REV A	SALES

- NOTES:
- CLEARANCE NOTE: LEAVE 24[610] SERVICE CLEARANCE INFRONT OF THE ABH BOXES.
 - ⑩ AND GAUGES ARE SHIPPED LOOSE. TO BE INSTALLED IN FIELD
 - N/A
 - THE DISTANCE BETWEEN THE OUTERMOST COMPONENT OF THE DMC TO THE OUTERMOST COMPONENT OF THE TANK SHOULD BE 12 +/- 1.0 [305 +/- 25.4]
 - ALL PIPING FROM DMC TO TANK AND WATER MANIFOLD TO TANK WILL NEED SUPPORTS ADDED IN THE FIELD AS REQUIRED