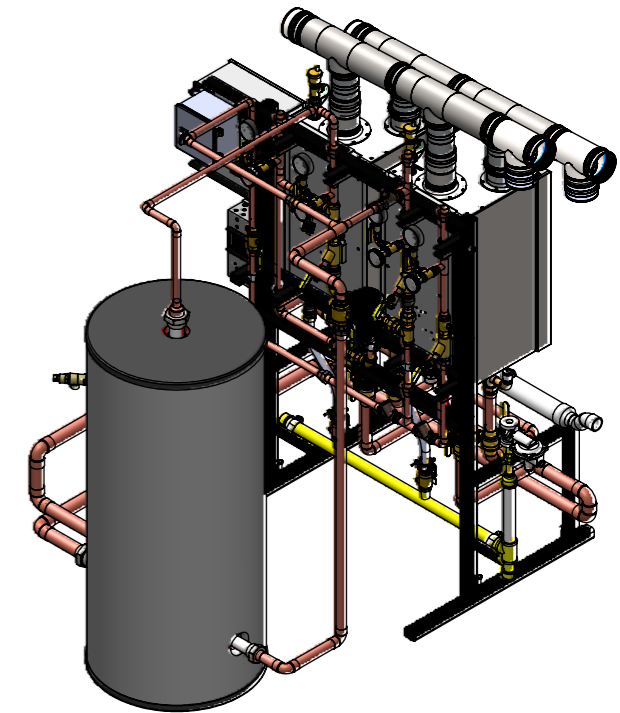


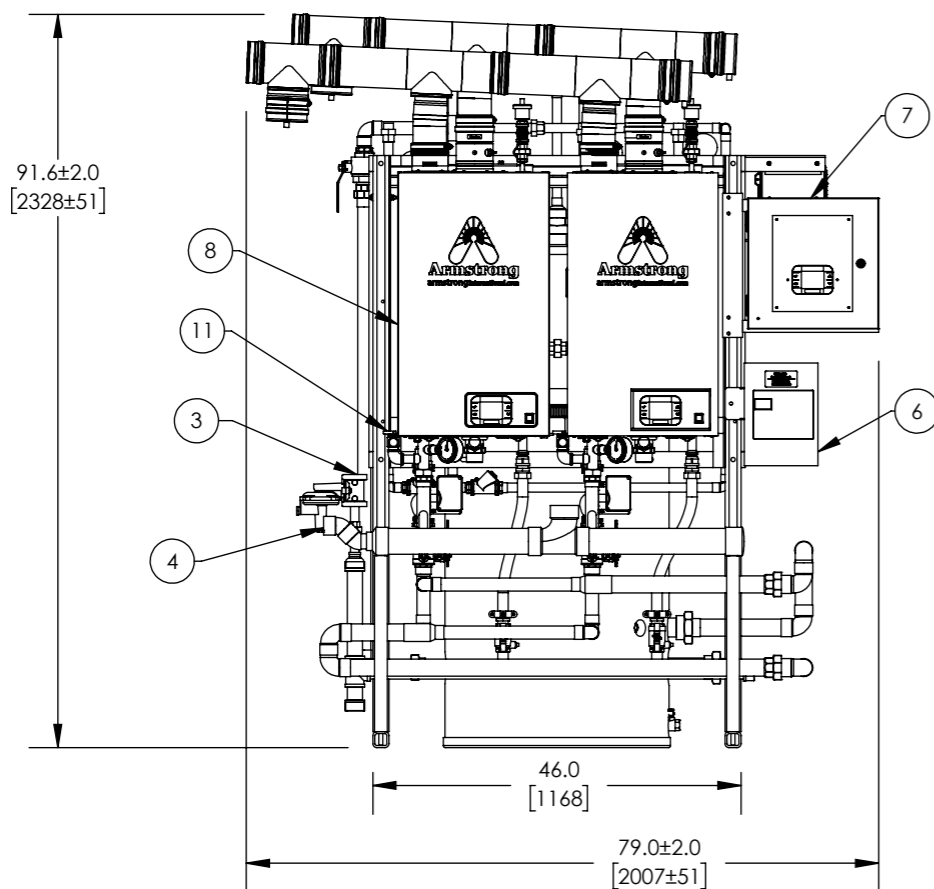
LOW WATER CUTOFF AND PUMP  
[NOT FULLY DETAILED]



**BACKSIDE VIEW OF THE WATER HEATERS**

ITEM	DESCRIPTION	QTY	CONNECTION
1	VENT INTAKE	1	5" CONN
2	VENT EXHAUST	1	5" CONN
3	GAS REGULATOR 5 PSI NG/LPG	1	3/4" NPT
4	CONDENSATE OUTLET	1	1-1/2" SOC
5	STORAGE TANK 28 DIA 120 GALLON	1	
6	LOAD CENTER	1	(208/240)/1/60
7	CASCADE PANEL	1	
8	ABH-299	2	
9	COLD WATER INLET	1	1" SWT
10	TANK RELIEF VALVE 125#	1	3/4" NPT
11	HEATER RELIEF VALVE 125#	2	3/4" NPT
12	MIXED WATER OUTLET	1	1" SWT
13	RECIRC RETURN INLET	1	1" SWT
14	DMC25 ASSEMBLY	1	SEE DMC APPROVAL SHEET
15	CIRCULATOR PUMP 16.5 GPM	2	
16	LOW WATER CUT-OFF	2	

ITEM	CONNECTION
WATER PIPING	COPPER TYPE "L"
VENTING CONNECTIONS	SS
TANK INSULATION TYPE	INSULATED AND JACKETED METAL
TANK LINING	GLASS

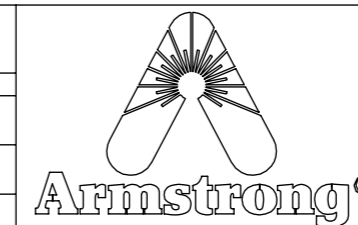


**APPROVAL**

BY: \_\_\_\_\_ DATE: \_\_\_\_\_

- APPROVED, PROCEED WITH FABRICATION
- APPROVED AS NOTED, PROCEED WITH FABRICATION IN ACCORDANCE WITH COMMENTS
- DISAPPROVED, DO NOT FABRICATE

DO NOT SCALE DRAWING TOLERANCES UNLESS OTHERWISE SPECIFIED	
DIMENSIONING ENGLISH [mm]	
FRACTIONAL ± 1/64	
ANGULAR: ± 2	
DECIMAL	
.XXXX ± .0005	IN. ---
.XXX ± .005	MM .010
.XX ± .015	.10
.X	.3



	NAME	DATE
DRAWN	CFG	5/18/2015
RELEASED		

<b>ARMSTRONG INTERNATIONAL</b> Copyright © 2010 ARMSTRONG INTERNATIONAL, INC.	
<b>ABH299MD 2 120A INSUL/JKT CWIS NAT GAS DMC25</b>	
MATERIAL	SHEET 1 OF 1
CN69799	REV A SALES

NOTES:

- CLEARANCE NOTE: LEAVE 24[610] SERVICE CLEARANCE INFRONT OF THE ABH BOXES.
- ⑩ AND GAUGES ARE SHIPPED LOOSE. TO BE INSTALLED IN FIELD
- N/A
- THE DISTANCE BETWEEN THE OUTERMOST COMPONENT OF THE DMC TO THE OUTERMOST COMPONENT OF THE TANK SHOULD BE 12 +/- 1.0 [305 +/- 25.4]
- ALL PIPING FROM DMC TO TANK AND WATER MANIFOLD TO TANK WILL NEED SUPPORTS ADDED IN THE FIELD AS REQUIRED