

DIMENSIONS & DATA CERTIFIED FOR:

Representative:

Order:

Customer:

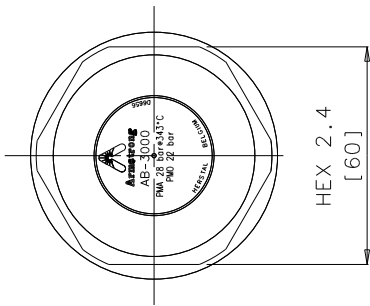
Order:

Project:

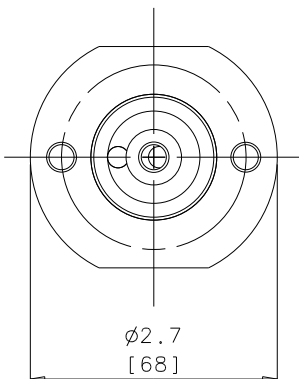
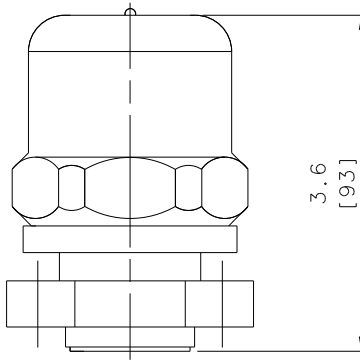
Requirements:

By:

Date:



DIMENSIONS ARE IN INCHES [MM]



LIST OF MATERIALS:

NAME OF PART	MATERIAL
BODY	ASTM-A479, TYPE 304
CAP	ASTM-A351, GR CF8
VALVE	A1C1-440C
SEAT	303 STN. STL.
SCREEN	304 STN. STL.
GASKET SEAT	STAINLESS STEEL
BIMETALIC DISC	RGR NICKEL PLATED
GASKET	304 STN. STL NON-ASBESTOS
NUTS	304 STN. STL
RIVET	STAINLESS STEEL
LABEL	304 STN. STL

DESIGN INFORMATION

MAXIMUM ALLOWABLE PRESSURE (VESSEL DESIGN)	400 psig [28 bar] at 649°F [343°C]
MAXIMUM OPERATING PRESSURE	319 psig [22 bar]
WEIGHT:	2.733 lbs [1.24 kg]



Armstrong International, Inc.
Belgium Division
Herstal, Hauts Sart

Armstrong (0032) 240.90.90 Fax() 240.40.33
Posted on Armstrong's homepage www.armstronginternational.com

Product	CD No.	Date
AB3000 WHITH INTEGRATED FLANGE W/OUT CONNECTOR	2226	27/01/09
	Rev; A	By; A.MORTADA