

# DIMENSIONS & DATA CERTIFIED FOR:

Representative:

Order:

Customer:

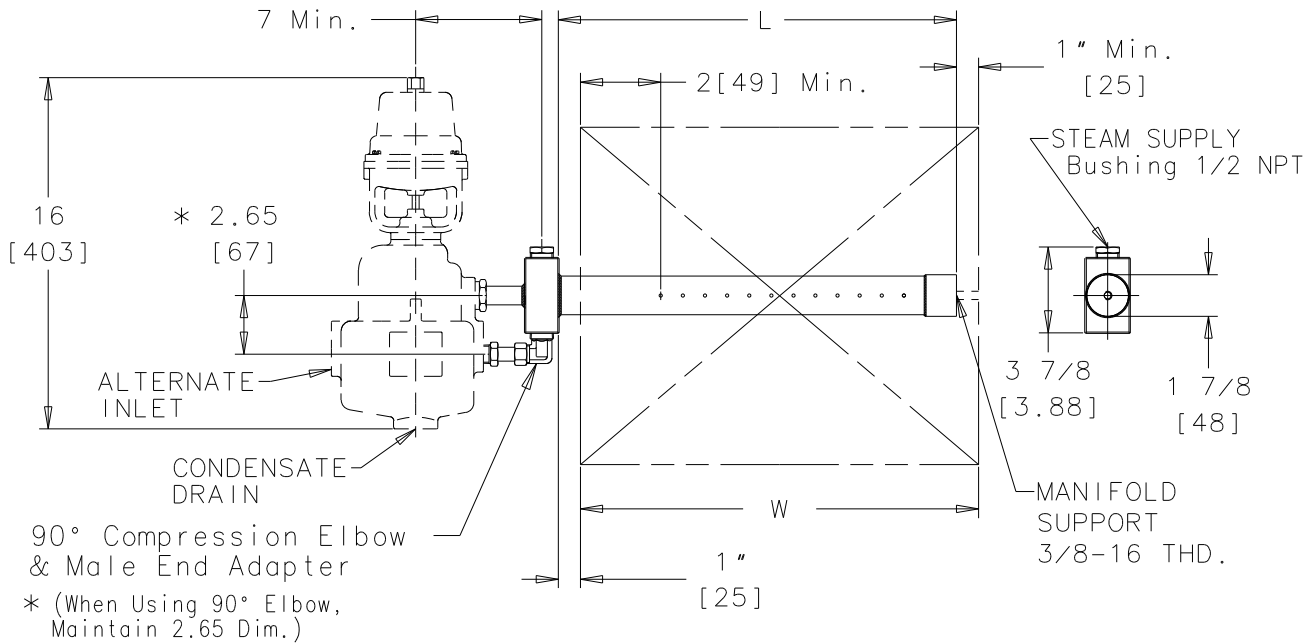
Order:

Project:

Requirements:

By:

Date:




Manifold Lengths & Duct Widths

Manifold Model No.	MA-1	MA-1.5	MA-2	MA-3	MA-4	MA-5	MA-6	MA-7	MA-8	MA-9	MA-10	MA-11	MA-12	
L (Length)	12 [305]	18 [457]	24 [610]	36 [914]	48 [1219]	60 [1524]	72 [1829]	84 [2134]	96 [2438]	108 [2743]	120 [3048]	132 [3353]	144 [3658]	
W (Duct Width)	(Min.)	8 [203]	15 [381]	21 [533]	31 [787]	43 [1092]	53 [1346]	65 [1651]	77 [1956]	89 [2261]	101 [2565]	113 [2870]	125 [3175]	137 [3480]
	(Max.)	14 [356]	20 [508]	30 [762]	42 [1067]	52 [1321]	64 [1626]	76 [1930]	88 [2235]	100 [2540]	112 [2845]	124 [3150]	136 [3454]	148 [3759]
Weight, (Less Operator & Steam Chamber)	2-1/2 [1.1]	3 [1.4]	4 [1.8]	5 [2.3]	6 [2.7]	7 [3.2]	8 [3.6]	9 [4.1]	10 [4.5]	11 [5]	12 [5.4]	13 [5.9]	14 [6.4]	
Max. Operating Press.	15 psi [1.02 bar]													

Dimensions In Inches [mm]

Material List	
Manifold	Aluminum
Bushing	Brass
90° Compression Elbow & Male End Adapter	

Note;  
Parts Shown Phantom & Dotted  
Supplied By Customer



Armstrong International, Inc.  
Three Rivers Division  
Three Rivers, MI 49093  
**Armstrong** (269) 273-1415 Fax(269) 273-9500  
Posted on Armstrong's homepage [www.armstrong-intl.com](http://www.armstrong-intl.com)

Product	CD No.	Date
Aluminum Manifold 91 SteamStik W/AM 91 Humidifier	1315	9/25/06
		Rev. B

# DIMENSIONS & DATA CERTIFIED FOR:

Representative:

Order:

Customer:

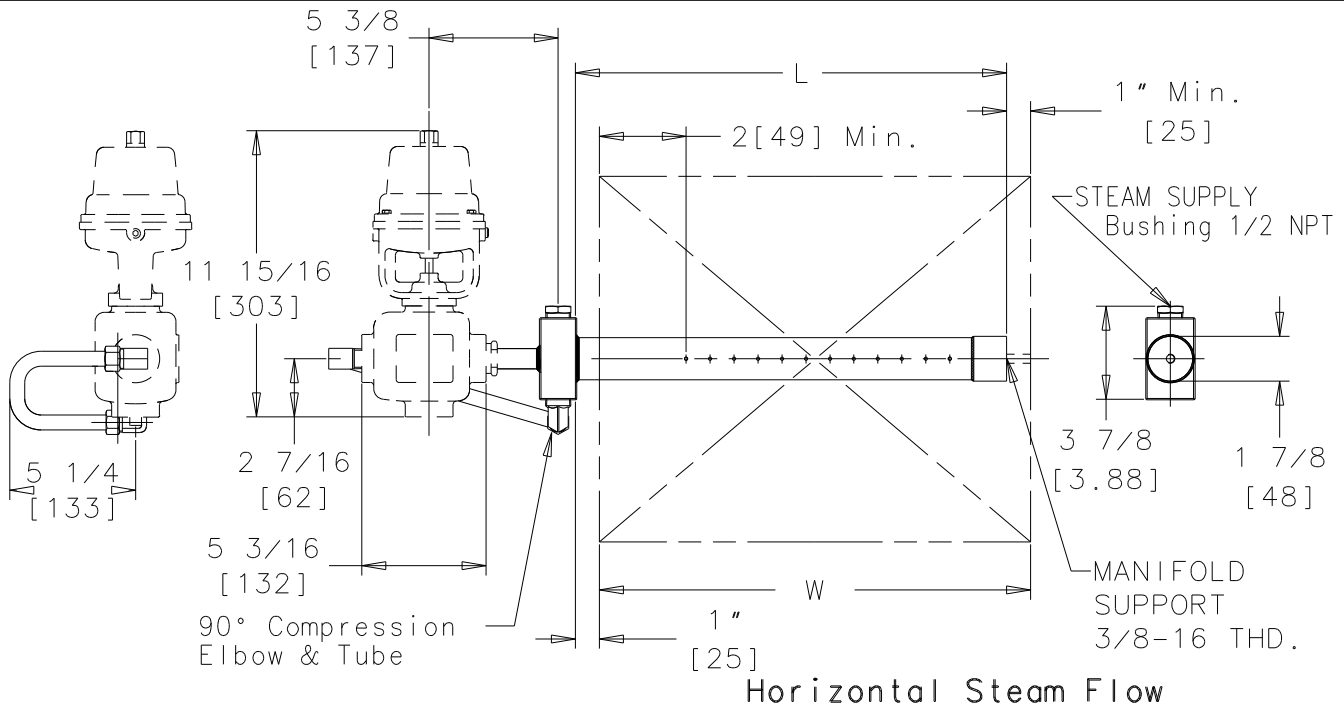
Order:

Project:

Requirements:

By:

Date:



Manifold Lengths & Duct Widths

Manifold Model No.	MA-1	MA-1.5	MA-2	MA-3	MA-4	MA-5	MA-6	MA-7	MA-8	MA-9	MA-10	MA-11	MA-12	
L (Length)	12 [305]	18 [457]	24 [610]	36 [914]	48 [1219]	60 [1524]	72 [1829]	84 [2134]	96 [2438]	108 [2743]	120 [3048]	132 [3353]	144 [3658]	
W (Duct Width)	(Min.)	8 [203]	15 [381]	21 [533]	31 [787]	43 [1092]	53 [1346]	65 [1651]	77 [1956]	89 [2261]	101 [2565]	113 [2870]	125 [3175]	137 [3480]
	(Max.)	14 [356]	20 [508]	30 [762]	42 [1067]	52 [1321]	64 [1626]	76 [1930]	88 [2235]	100 [2540]	112 [2845]	124 [3150]	136 [3454]	148 [3759]
Weight, (Less Operator & Steam Chamber)	3.1 [1.4]	3.6 [1.6]	4.6 [2.1]	5.6 [2.5]	6.6 [3]	7.6 [3.4]	8.6 [4]	9.6 [4.4]	10.6 [4.8]	11.6 [5.3]	12.6 [5.7]	13.6 [6.2]	14.6 [6.6]	
Max. Operating Press.	15 psi [1.02 bar]													

Dimensions In Inches [mm]

Material List	
Manifold	Aluminum
Bushing	Brass
90° Compression Elbow & Tube	

Note;  
Parts Shown Phantom & Dotted  
Supplied By Customer

Armstrong International, Inc.  
Three Rivers Division  
Three Rivers, MI 49093  
**Armstrong** (269) 273-1415 Fax(269) 273-9500  
Posted on Armstrong's homepage [www.armstrong-intl.com](http://www.armstrong-intl.com)

Product	CD No.	Date
Aluminum Manifold 91 SteamStik W/AM 90 Humidifier	1315	9/25/06
		Rev. B

Sht. 2