

DIMENSIONS & DATA CERTIFIED FOR:

Representative:

Order:

Customer:

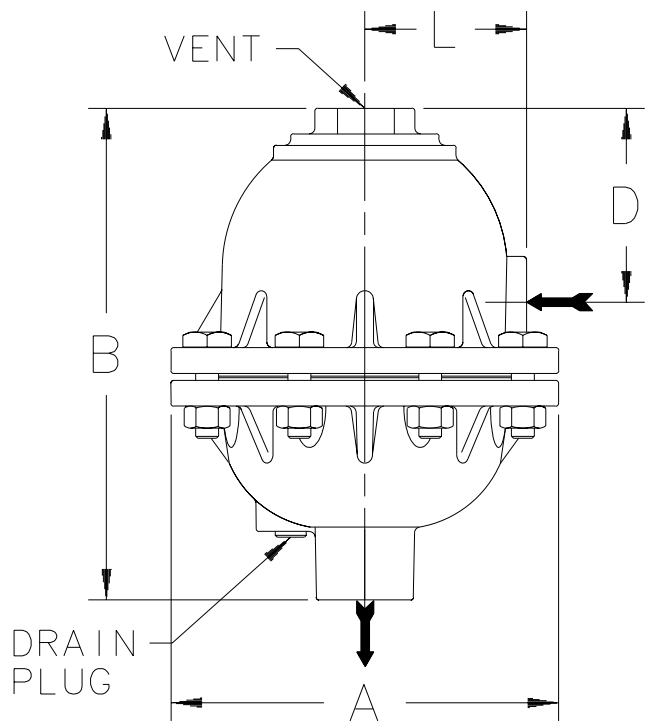
Order:

Project:

Requirements:

By:

Date:

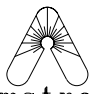


NAME OF PART	MATERIAL
BODY & CAP	ASTM A48 CLASS 30
VALVE & VALVE SEAT	STAINLESS STEEL
LEVERAGE ASS'Y	STAINLESS STEEL
FLOAT	STAINLESS STEEL
GASKET	COMPRESSED NON-ASBESTOS
SPRING	STAINLESS STEEL

MODEL NO.	71-A	
PIPE CONNECTIONS	3/4 & 1	
"A"	8-1/2	216 mm
"B"	10-3/4	273 mm
"D"	4-1/4	108 mm
"L"	3-9/16	90.5 mm
WEIGHT	29 lbs	13 kgs
DRAIN PLUG	3/8	
MAXIMUM ALLOWABLE PRESSURE (VESSEL DESIGN)	250 psig AT 450° F	

NOTE:

1. AVAILABLE IN NPT OR BSPT CONNECTIONS.

 Armstrong International, Inc. Three Rivers Division Three Rivers, MI 49093 (616) 273-1415 Fax(616) 278-6555		
Product	CD No.	Date
71-A LIQUID DRAINER	1038	8/26/96
		Rev. A