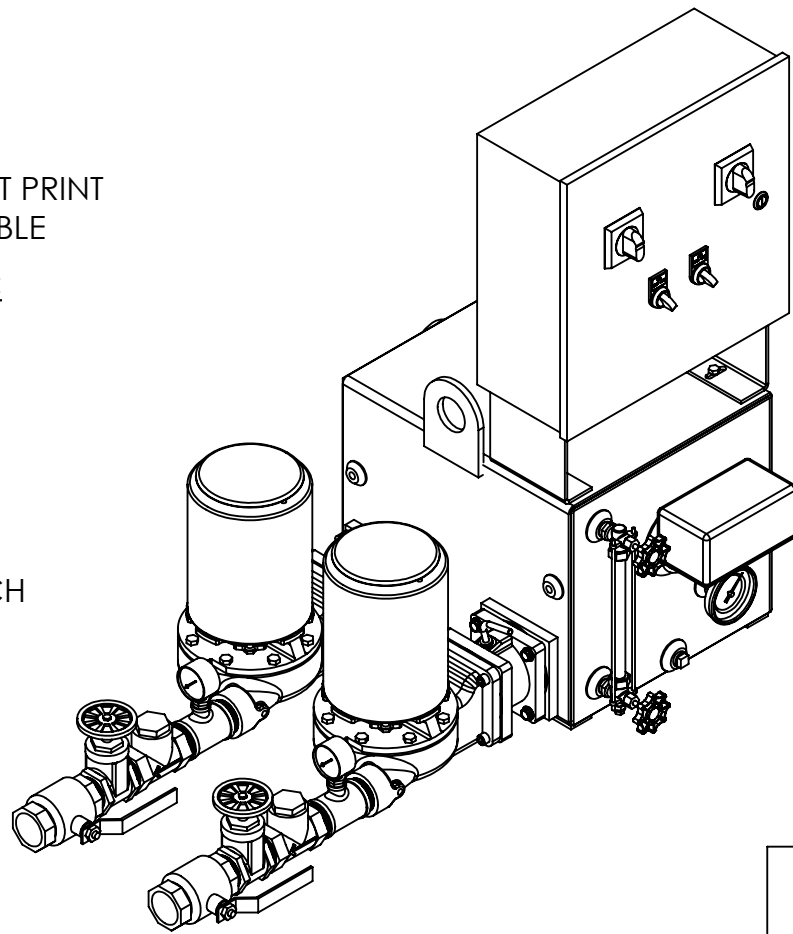


NOTES:

- TANK MATERIAL: STAINLESS STEEL
- ALL DIMENSIONS ARE ±0.25"
- DRAWING NOT FOR CONSTRUCTION
- CONSULT FACTORY AT TIME OF ORDER FOR CURRENT PRINT
- INLET BASKET STRAINER OR Y-STRAINER ALSO AVAILABLE

CONTROL PANEL OPTIONS ALSO AVAILABLE (NOT SHOWN):

- NEMA 4 OR NEMA 4X OR NEMA 3R CONSTRUCTION
- ELECTRIC ALTERNATOR
- POWER ON LIGHT
- PUMP TEST BUTTON
- PUMP RUN TIME METER
- EXTRA DRY CONTACTS
- UL/CUL LABELED PANEL
- HIGH LEVEL ALARM HORN & LIGHT W/SILENCE SWITCH
- LEAD-AUTO-LAG SELECTOR SWITCH



PRESSURE GAUGE, CHECK VALVE
GATE VALVE AND BALL VALVE
(OPTIONAL)

1-1/2" NPT
PUMP DISCHARGE

1-1/2" NPT VENT

7.50

8.50

28.91

1-1/2" NPT
OVERFLOW

2" NPT
PROCESS RETURN

LIFTING EYES
(OPTIONAL)

NEMA 12
CONTROL PANEL
(OPTIONAL)

FLOAT SWITCH OR
MECHANICAL ALTERNATOR

DIAL THERMOMETER
(OPTIONAL)

GAUGE GLASS
(OPTIONAL)

ISOLATION VALVE
(OPTIONAL)

1/2" NPT DRAIN

3.00
7.50

12.25

.25
FOOT PAD

15.00

3.97

29.78

3.34

44.24

3.13

6.31

16.31

17.00

35.44

14.25

8.76

7.50

REV	DESCRIPTION	ECN	NAME	DATE
A	INITIAL DESIGN		GJM	5/3/2021

PART NO:	684.43015.00J	NAME	GJM	DATE	3/16/2018	THIRD ANGLE PROJECTION			
FABRICATION TOLERANCES UNLESS OTHERWISE SPECIFIED: DIMENSIONS ARE IN INCHES		DRAWN					TITLE		
TOLERANCES: ANGULAR DIMENSIONS ±1° FRACTIONS ±1/16		CHECKED				15 GALLON SS DUPLEX 4300 SERIES "J" CONDENSATE PUMP			
TWO PLACE DECIMAL ±0.06 THREE PLACE DECIMAL ±0.030		ENG APPR.							
		PRODUCT FAMILY	HTSP Boiler and Condensate				PRODUCT CATEGORY		
SHEET: 1 OF 1	WEIGHT	1359.01	DRAWING MAY NOT BE PRINTED TO SCALE.	SCALE: 1:10	SIZE	DWG NO.	684.43015.00J	REV	A

