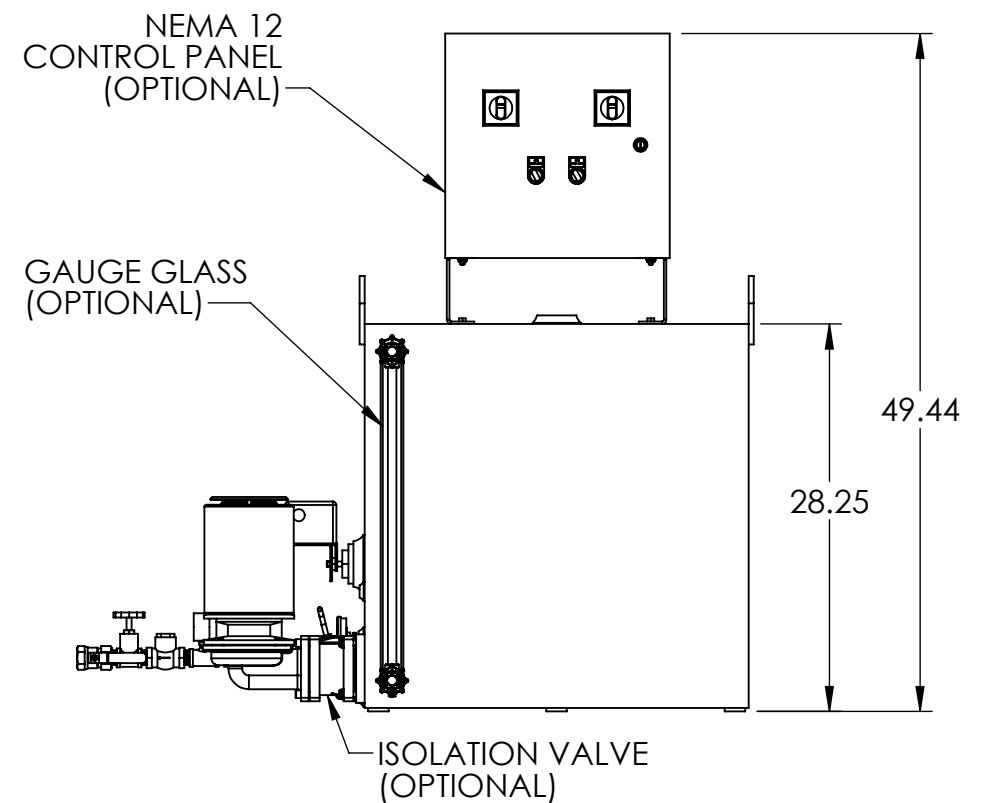
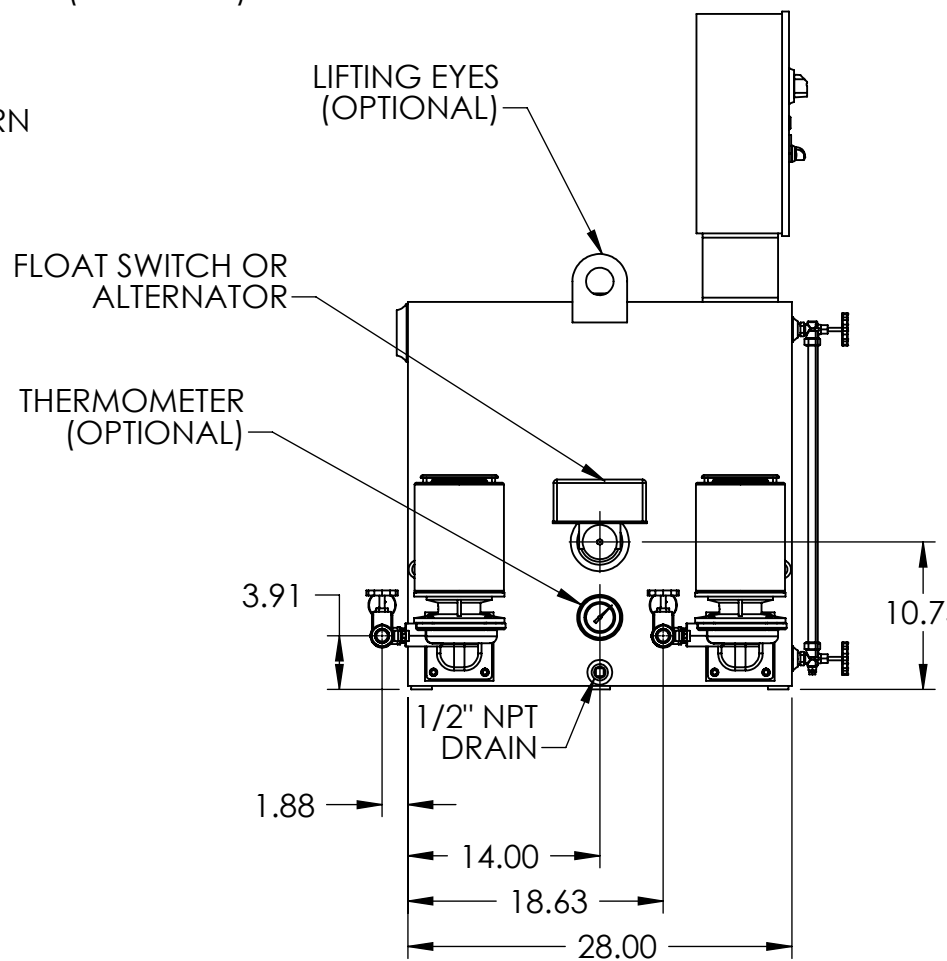
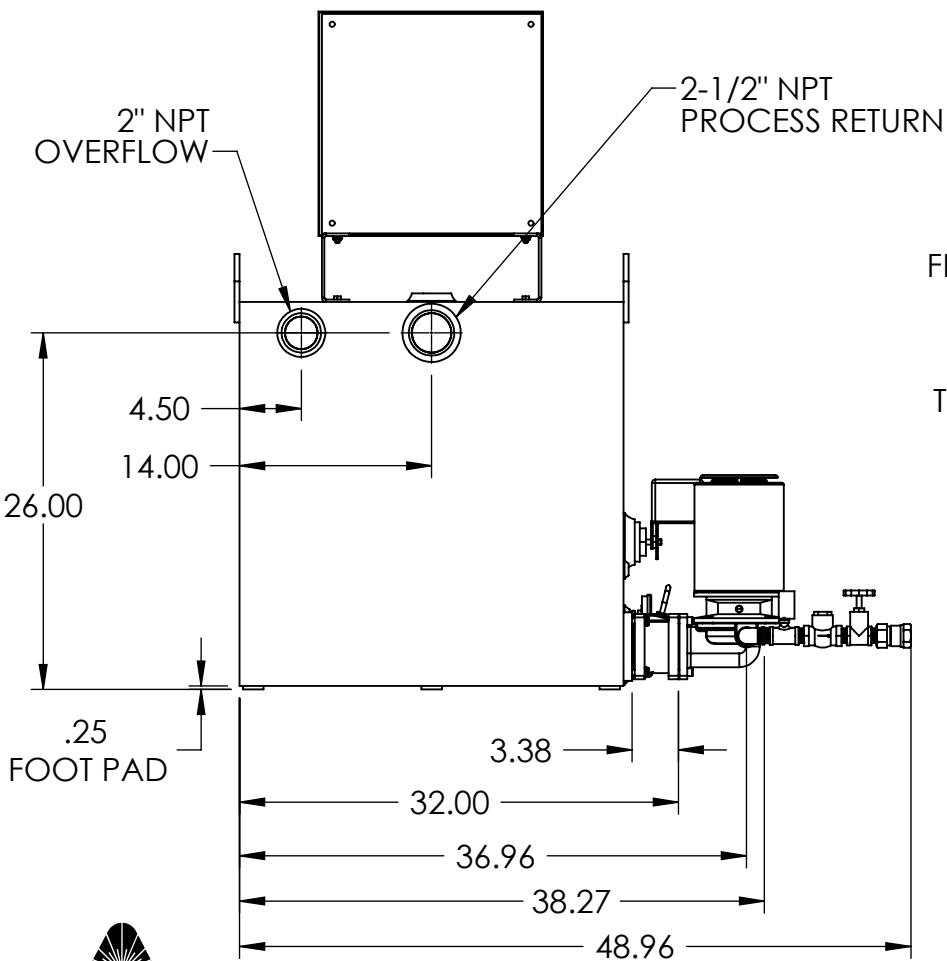
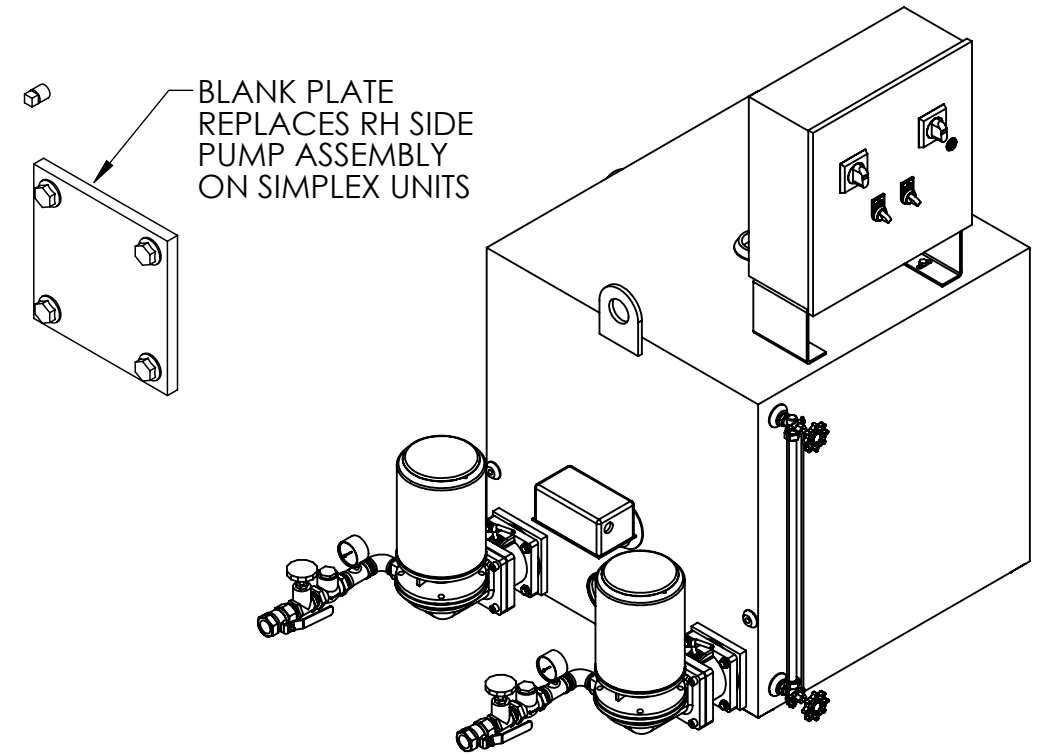
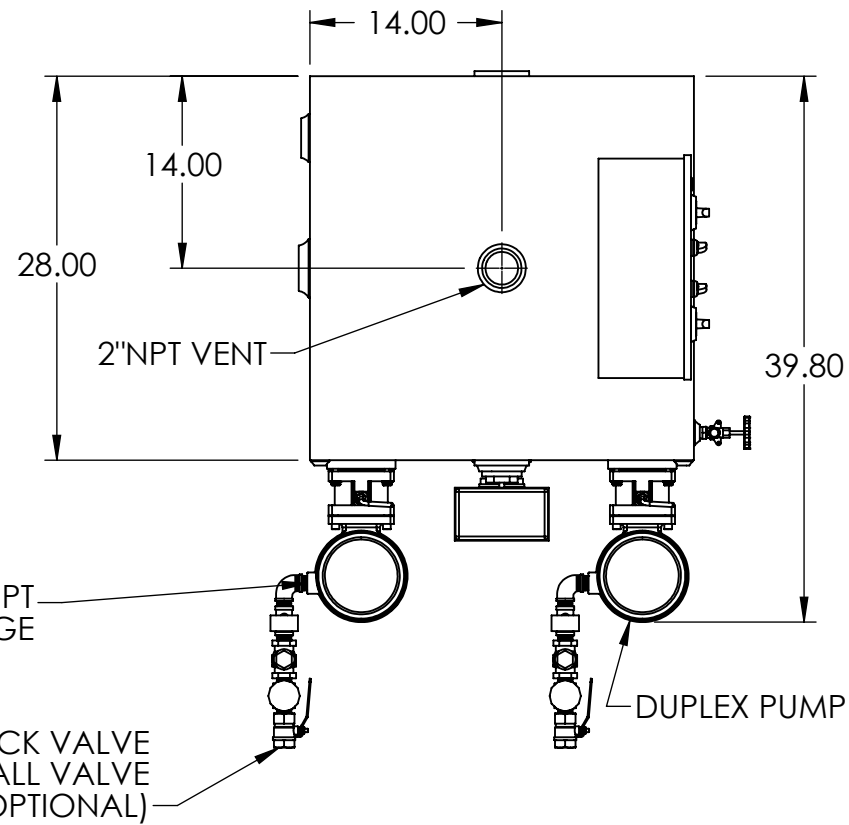


NOTES:

- TANK MATERIAL: STAINLESS STEEL
- ALL DIMENSIONS ARE ±0.25"
- DRAWING NOT FOR CONSTRUCTION
- CONSULT FACTORY AT TIME OF ORDER FOR CURRENT PRINT
- INLET BASKET STRAINER OR Y-STRAINER ALSO AVAILABLE

CONTROL PANEL OPTIONS ALSO AVAILABLE (NOT SHOWN):

- NEMA 4 OR NEMA 4X OR NEMA 3R CONSTRUCTION
- ELECTRIC ALTERNATOR
- POWER ON LIGHT
- PUMP TEST BUTTON
- PUMP RUN TIME METER
- EXTRA DRY CONTACTS
- UL/CUL LABELED PANEL
- HIGH LEVEL ALARM HORN & LIGHT W/SILENCE SWITCH
- LEAD-AUTO-LAG SELECTOR SWITCH



REV	DESCRIPTION	ECN	NAME	DATE
A	Initial Design		GJM	3/16/2018

PART NO:	Ref PartNo	NAME	DATE
		GJM	3/16/2018

FABRICATION TOLERANCES UNLESS OTHERWISE SPECIFIED: DIMENSIONS ARE IN INCHES		DRAWN		GJM		3/16/2018		THIRD ANGLE PROJECTION	
TOLERANCES:		CHECKED		ENG APPR.				TITLE	
ANGULAR DIMENSIONS ±1°				PRODUCT FAMILY				95 GALLON SIMPLEX/DUPLEX	
FRACTIONS ±1/32				HTSP Boiler and Condensate				4300 SERIES	
TWO PLACE DECIMAL ±0.06				PRODUCT CATEGORY				"G" CONDENSATE PUMP	
THREE PLACE DECIMAL ±0.030									

SHEET: 1 OF 1	WEIGHT	DRAWING MAY NOT BE PRINTED TO SCALE.	DWG NO.	REV
	504.29	SCALE: 1:14	684.43095.00G	A