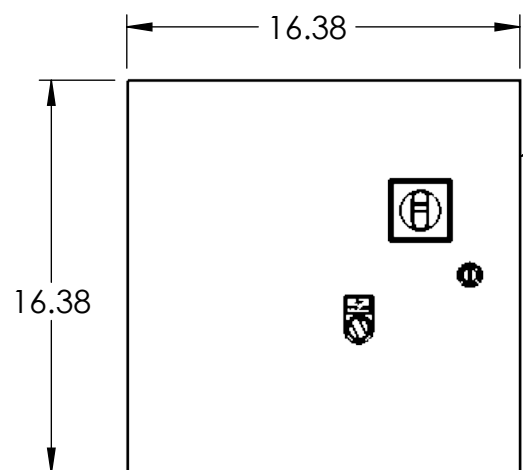


NOTES:

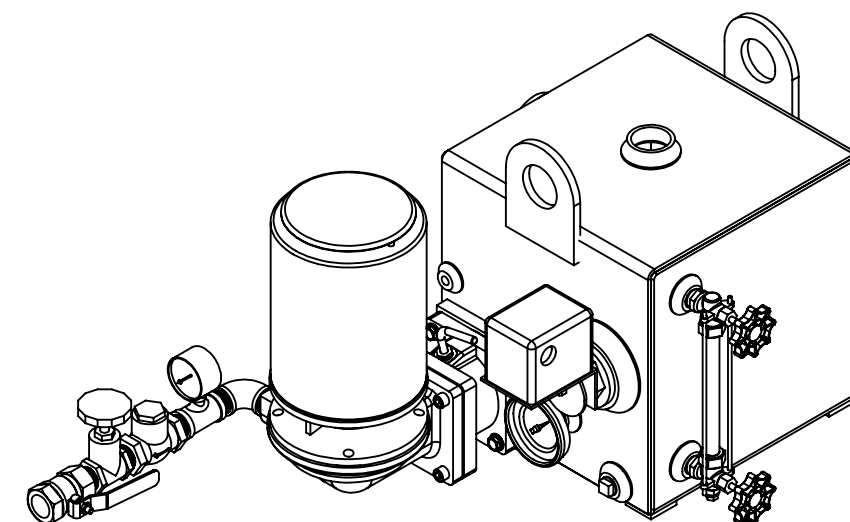
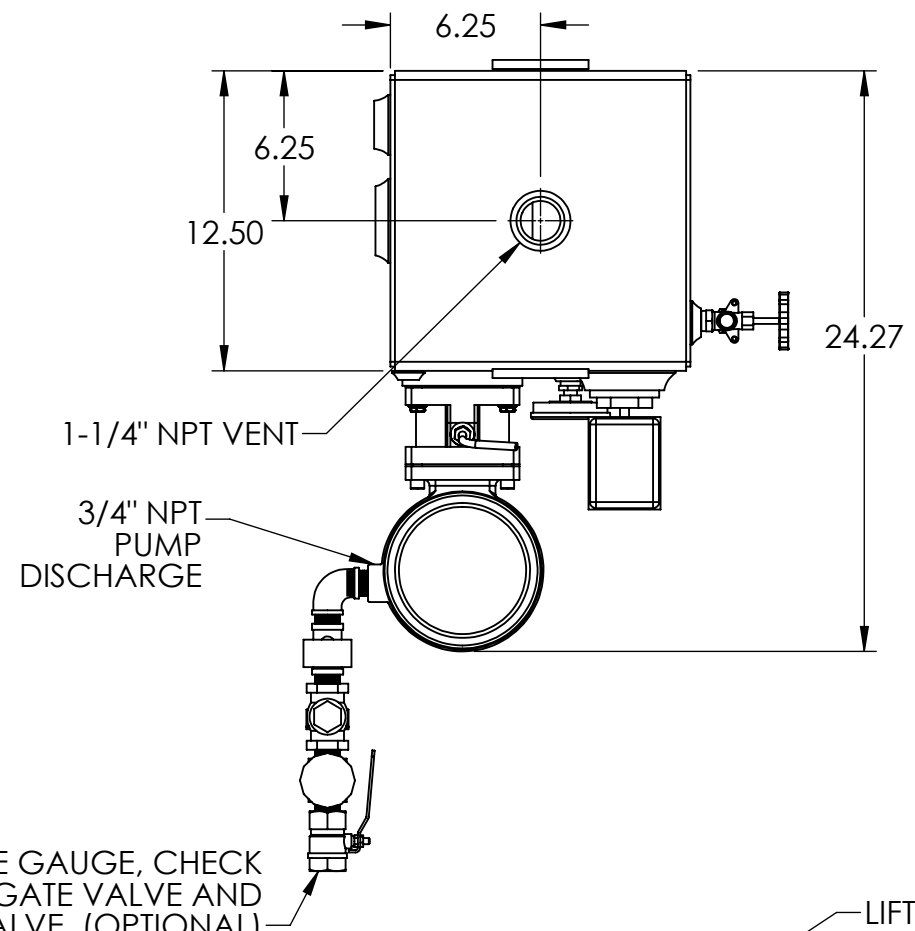
- TANK MATERIAL: STAINLESS STEEL
- ALL DIMENSIONS ARE ±0.25"
- DRAWING NOT FOR CONSTRUCTION
- CONSULT FACTORY AT TIME OF ORDER FOR CURRENT PRINT
- INLET BASKET STRAINER OR Y-STRAINER ALSO AVAILABLE

CONTROL PANEL OPTIONS ALSO AVAILABLE (NOT SHOWN):

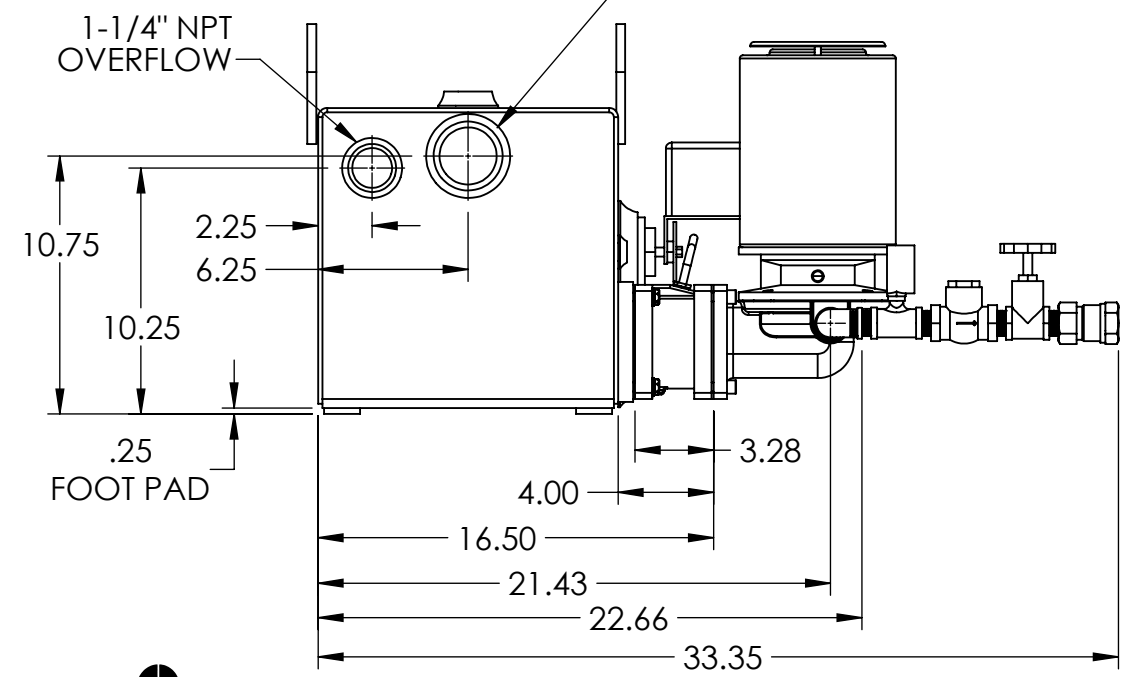
- NEMA 4 OR NEMA 4X OR NEMA 3R CONSTRUCTION
- POWER ON LIGHT
- PUMP TEST BUTTON
- PUMP RUN TIME METER
- EXTRA DRY CONTACTS
- UL/CUL LABELED PANEL
- HIGH LEVEL ALARM HORN & LIGHT W/SILENCE SWITCH



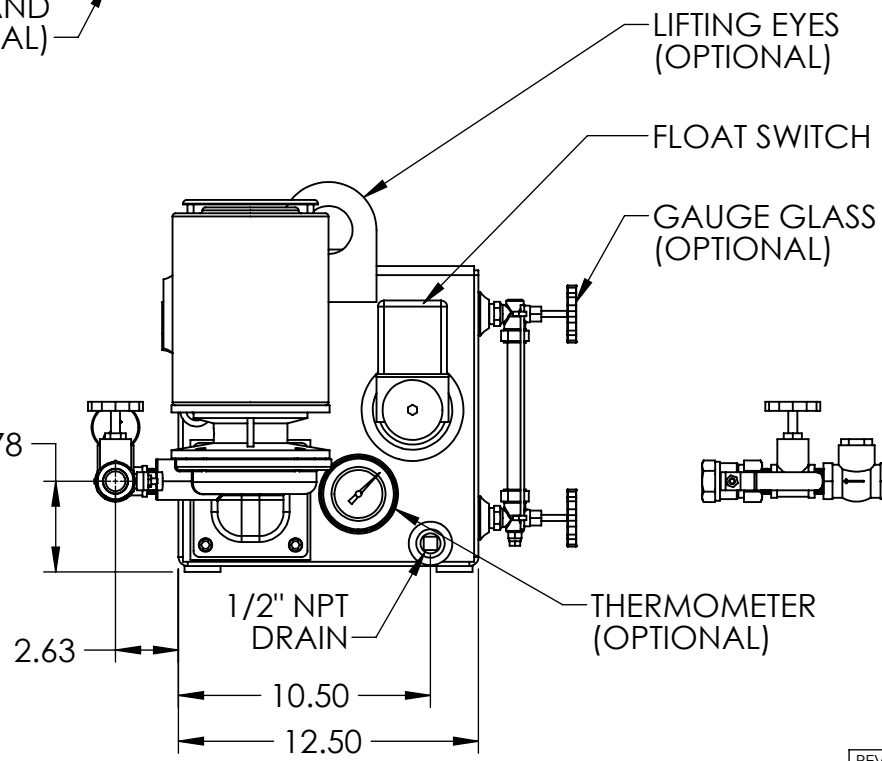
REMOTE MOUNTED
NEMA 12
CONTROL PANEL
(OPTIONAL)



PRESSURE GAUGE, CHECK
VALVE, GATE VALVE AND
BALL VALVE (OPTIONAL)



2" NPT
PROCESS RETURN

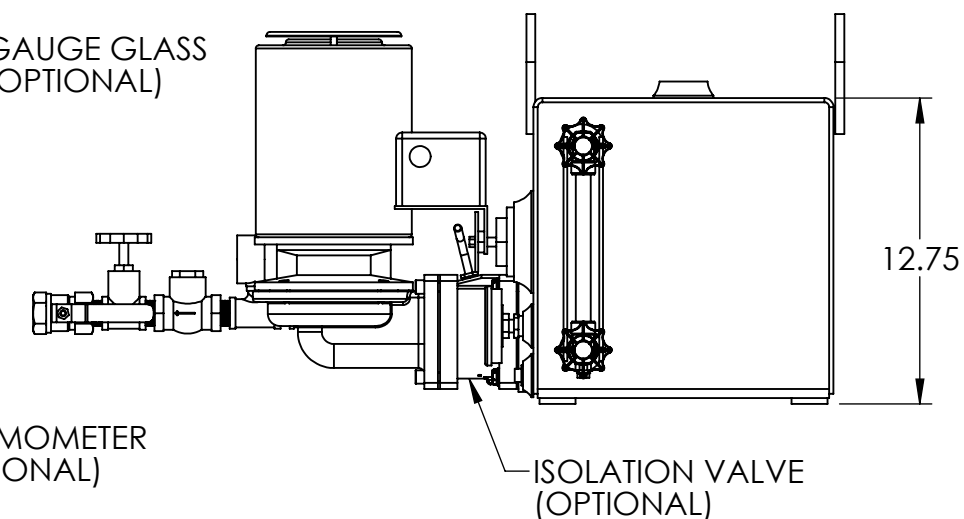


LIFTING EYES
(OPTIONAL)

FLOAT SWITCH

GAUGE GLASS
(OPTIONAL)

THERMOMETER
(OPTIONAL)



ISOLATION VALVE
(OPTIONAL)



REV	DESCRIPTION	ECN	NAME	DATE
A	INITIAL DESIGN		GJM	3/16/2018

PART NO:	Ref PartNo	NAME	DATE	 THIRD ANGLE PROJECTION TITLE 8 GALLON SS SIMPLEX 4300 SERIES "G" CONDENSATE PUMP
FABRICATION TOLERANCES UNLESS OTHERWISE SPECIFIED: DIMENSIONS ARE IN INCHES	DRAWN	GJM	3/16/2018	
TOLERANCES: ANGULAR DIMENSIONS ±1° FRACTIONS ±1/32	CHECKED			
TWO PLACE DECIMAL ±0.06 THREE PLACE DECIMAL ±0.030	ENG APPR.			
SHEET: 1 OF 1		DRAWING MAY NOT BE PRINTED TO SCALE.		REV
WEIGHT	SCALE: 1:8	DWG NO.	684.43008.00G	A