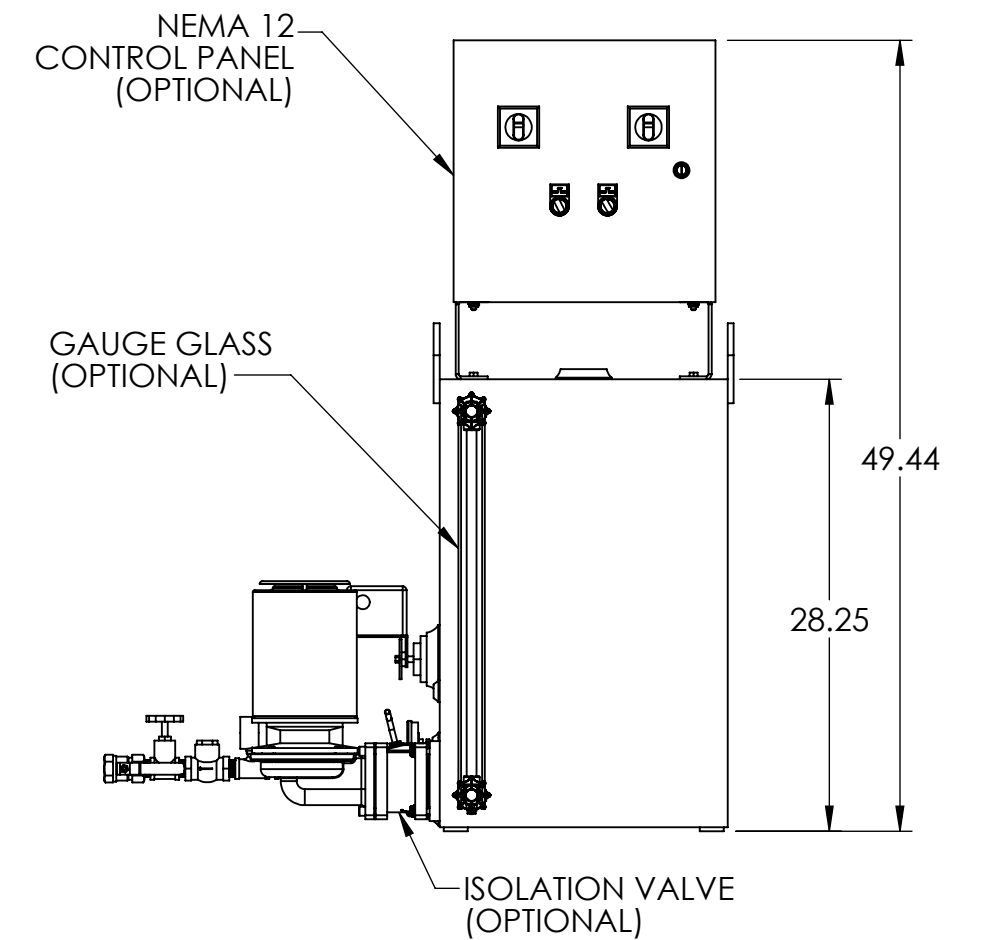
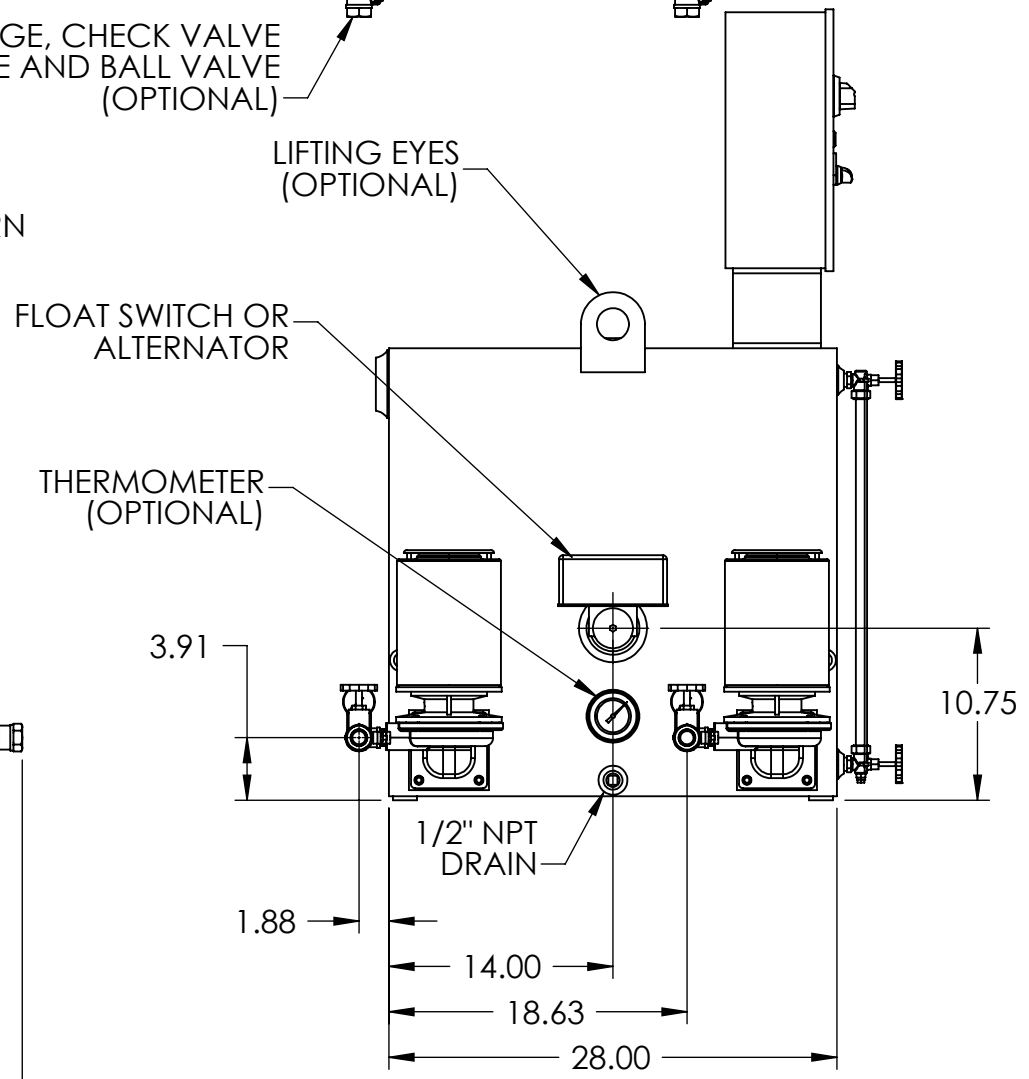
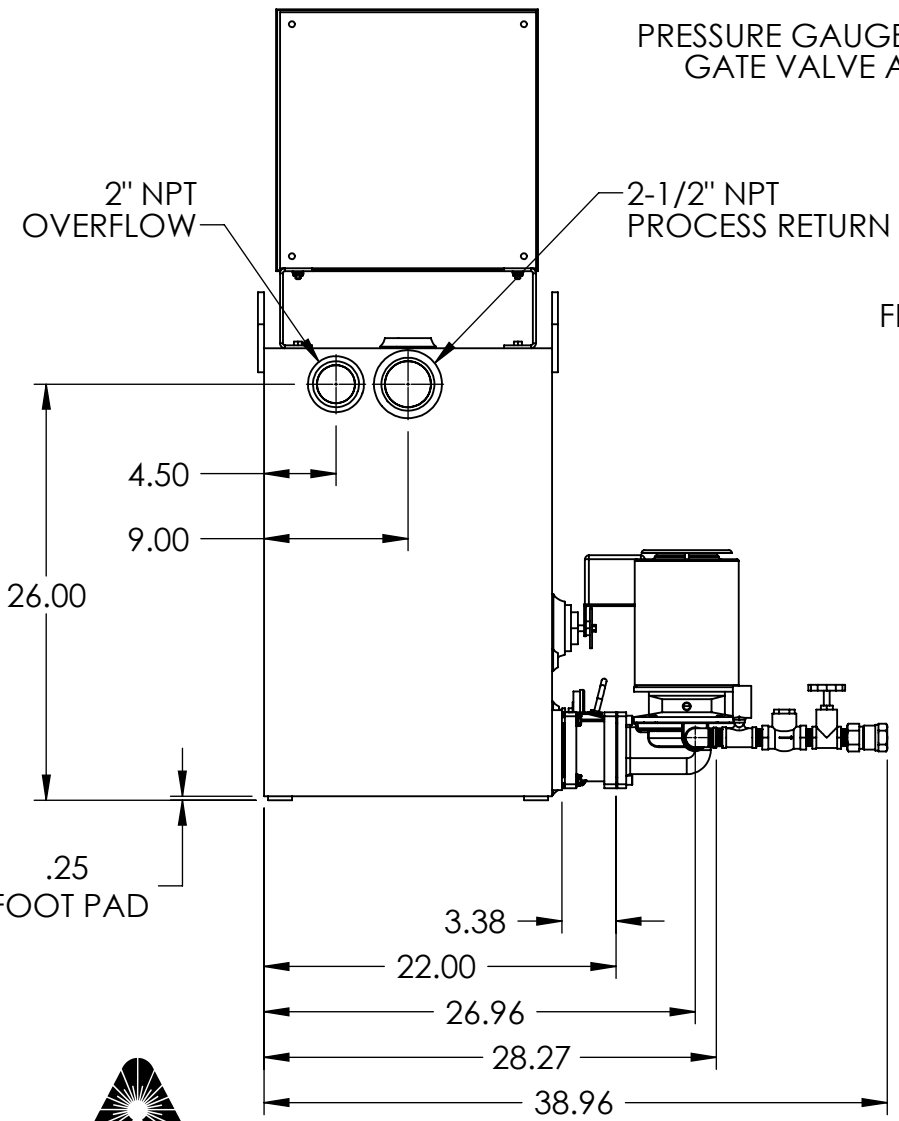
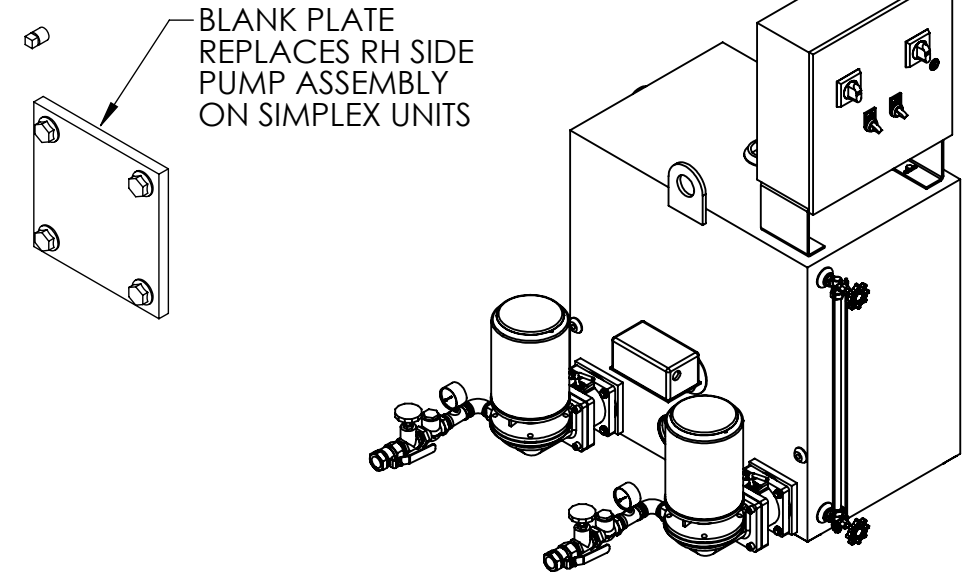
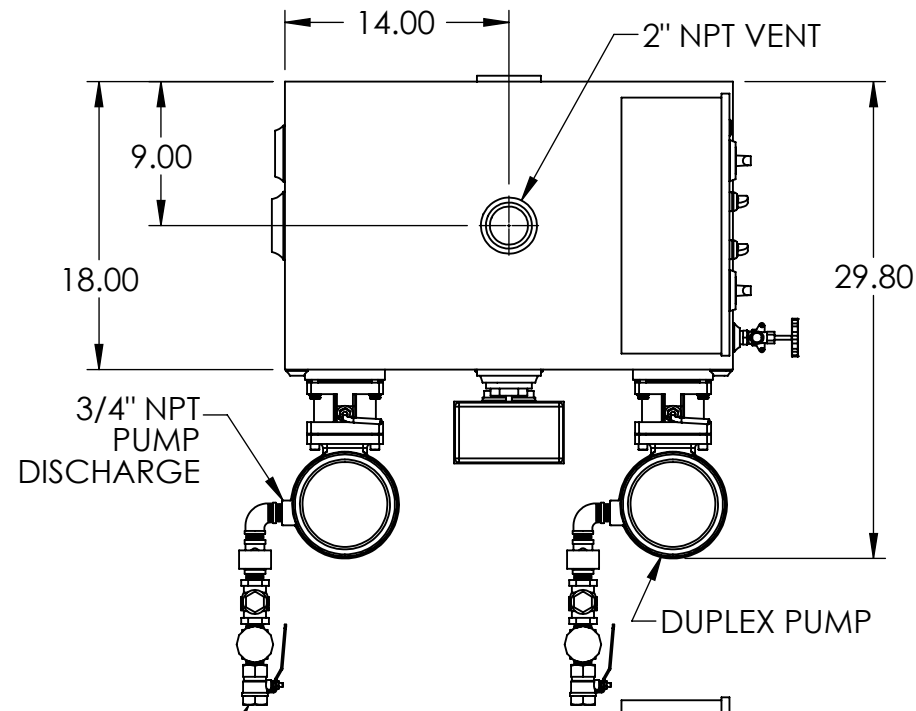


**NOTES:**

- TANK MATERIAL: STAINLESS STEEL
- ALL DIMENSIONS ARE ±0.25"
- DRAWING NOT FOR CONSTRUCTION
- CONSULT FACTORY AT TIME OF ORDER FOR CURRENT PRINT
- INLET Y-STRAINER OR BASKET STRAINER ALSO AVAILABLE

**CONTROL PANEL OPTIONS ALSO AVAILABLE (NOT SHOWN):**

- NEMA 4 OR NEMA4X OR NEMA3R CONSTRUCTION
- ELECTRIC ALTERNATOR
- POWER ON LIGHT
- PUMP TEST BUTTON
- PUMP RUN TIME METER
- EXTRA DRY CONTACTS
- UL/CUL LABELED PANEL
- HIGH LEVEL ALARM HORN & LIGHT W/SILENCE SWITCH
- LEAD-AUTO-LAG SELECTOR SWITCH



REV	DESCRIPTION	ECN	NAME	DATE
B	Initial Design		GJM	
PART NO: Ref PartNo		NAME	DATE	
FABRICATION TOLERANCES UNLESS OTHERWISE SPECIFIED: DIMENSIONS ARE IN INCHES		DRAWN	GJM	3/16/2018
TOLERANCES: ANGULAR DIMENSIONS ±1° FRACTIONS ±1/32 TWO PLACE DECIMAL ±0.06 THREE PLACE DECIMAL ±0.030		CHECKED		
		ENG APPR.		
		PRODUCT FAMILY	HTSP Boiler and Condensate	
		PRODUCT CATEGORY		
SHEET: 1 OF 1		WEIGHT	DRAWING MAY NOT BE PRINTED TO SCALE.	DWG NO.
		284.08	SCALE: 1:12	684.43060.00G
				REV B