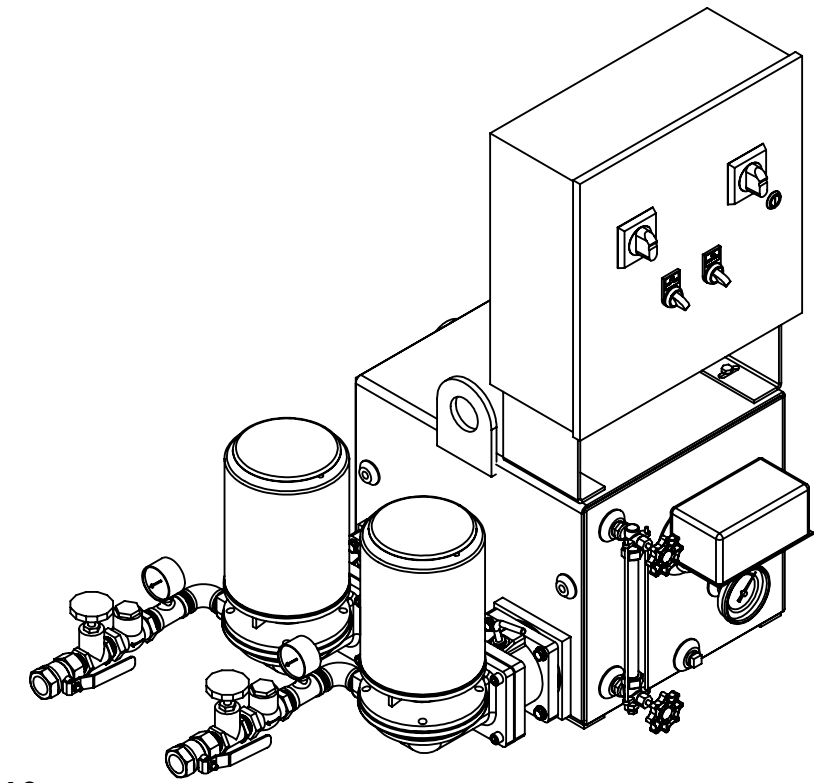
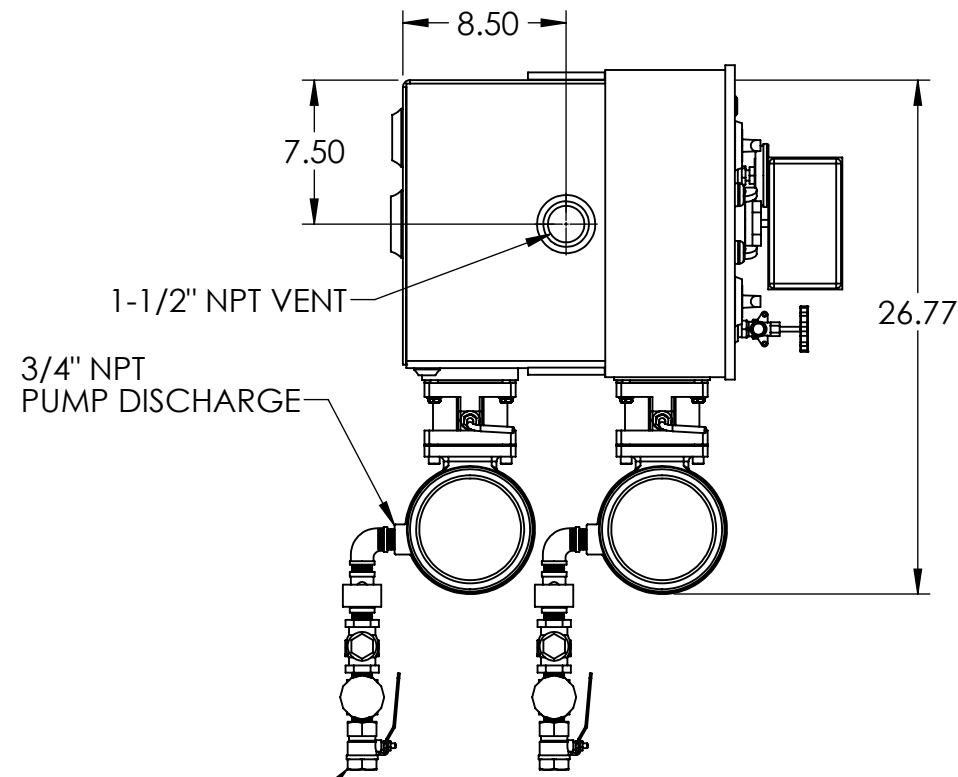


**NOTES:**

- TANK MATERIAL: STAINLESS STEEL
- ALL DIMENSIONS ARE  $\pm 0.25"$
- DRAWING NOT FOR CONSTRUCTION
- CONSULT FACTORY AT TIME OF ORDER FOR CURRENT PRINT
- INLET BASKET STRAINER OR Y-STRAINER ALSO AVAILABLE

**CONTROL PANEL OPTIONS ALSO AVAILABLE (NOT SHOWN):**

- NEMA 4 OR NEMA 4X OR NEMA 3R CONSTRUCTION
- ELECTRIC ALTERNATOR
- POWER ON LIGHT
- PUMP TEST BUTTON
- PUMP RUN TIME METER
- EXTRA DRY CONTACTS
- UL/CUL LABELED PANEL
- HIGH LEVEL ALARM HORN & LIGHT W/SILENCE SWITCH
- LEAD-AUTO-LAG SELECTOR SWITCH

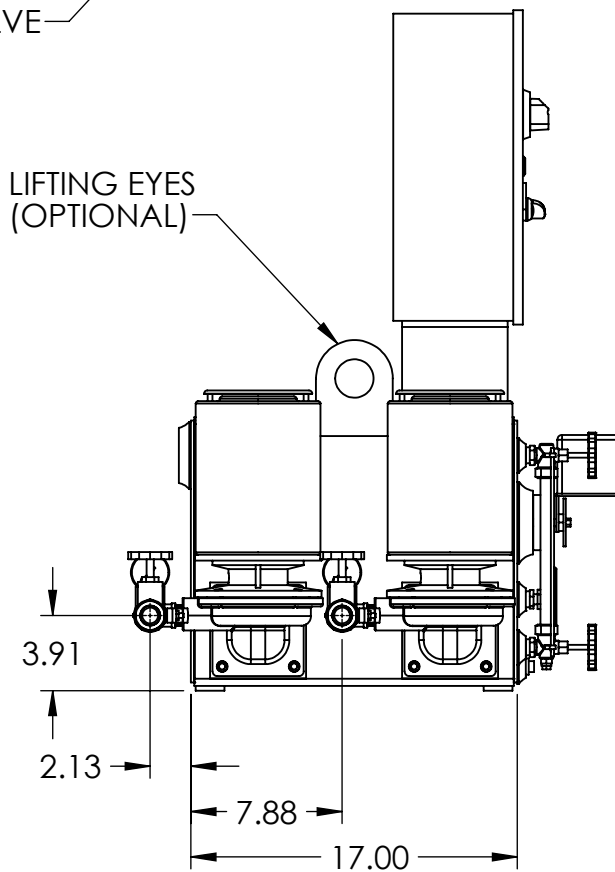
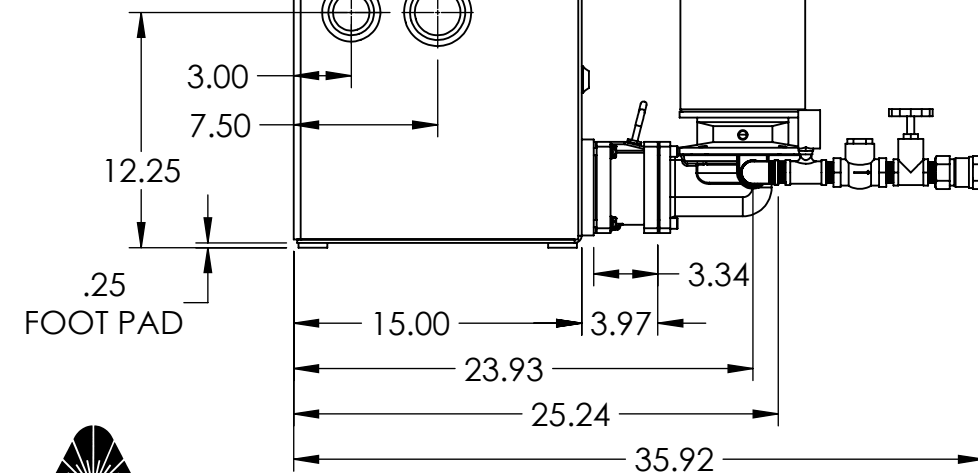


PRESSURE GAUGE, CHECK VALVE  
GATE VALVE AND BALL VALVE  
(OPTIONAL)

LIFTING EYES  
(OPTIONAL)

1-1/2 NPT  
OVERFLOW

2" NPT  
PROCESS RETURN

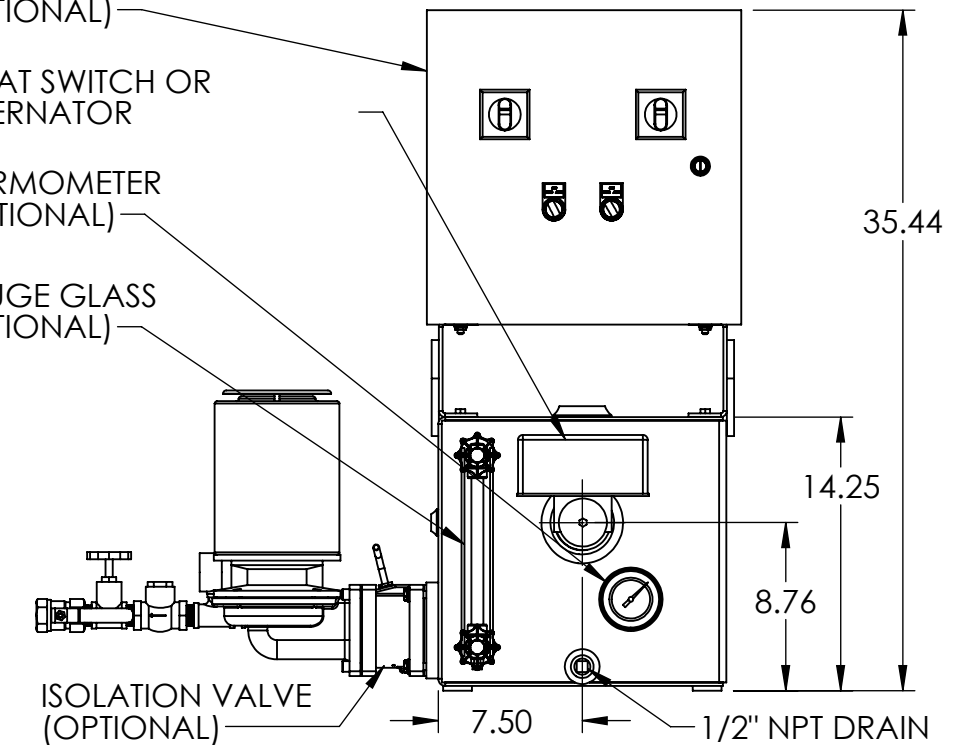


NEMA 12  
CONTROL PANEL  
(OPTIONAL)

FLOAT SWITCH OR  
ALTERNATOR

THERMOMETER  
(OPTIONAL)

GAUGE GLASS  
(OPTIONAL)



ISOLATION VALVE  
(OPTIONAL)

REV	DESCRIPTION	ECN	NAME	DATE
A	Initial Design		GJM	

PART NO:	684.43015.00G	NAME	GJM	DATE	3/16/2018
FABRICATION TOLERANCES UNLESS OTHERWISE SPECIFIED: DIMENSIONS ARE IN INCHES	DRAWN	GJM	3/16/2018	THIRD ANGLE PROJECTION	
TOLERANCES: ANGULAR DIMENSIONS $\pm 1^\circ$ FRACTIONS $\pm 1/16$	CHECKED			TITLE	
TWO PLACE DECIMAL $\pm 0.06$ THREE PLACE DECIMAL $\pm 0.030$	ENG APPR.			15 GALLON SS DUPLEX 4300 SERIES "G" CONDENSATE PUMP	
	PRODUCT FAMILY	HTSP Boiler and Condensate			
	PRODUCT CATEGORY				
SHEET: 1 OF 1	WEIGHT	1275.73	DRAWING MAY NOT BE PRINTED TO SCALE.	SCALE: 1:10	SIZE DWG NO. 684.43015.00G

