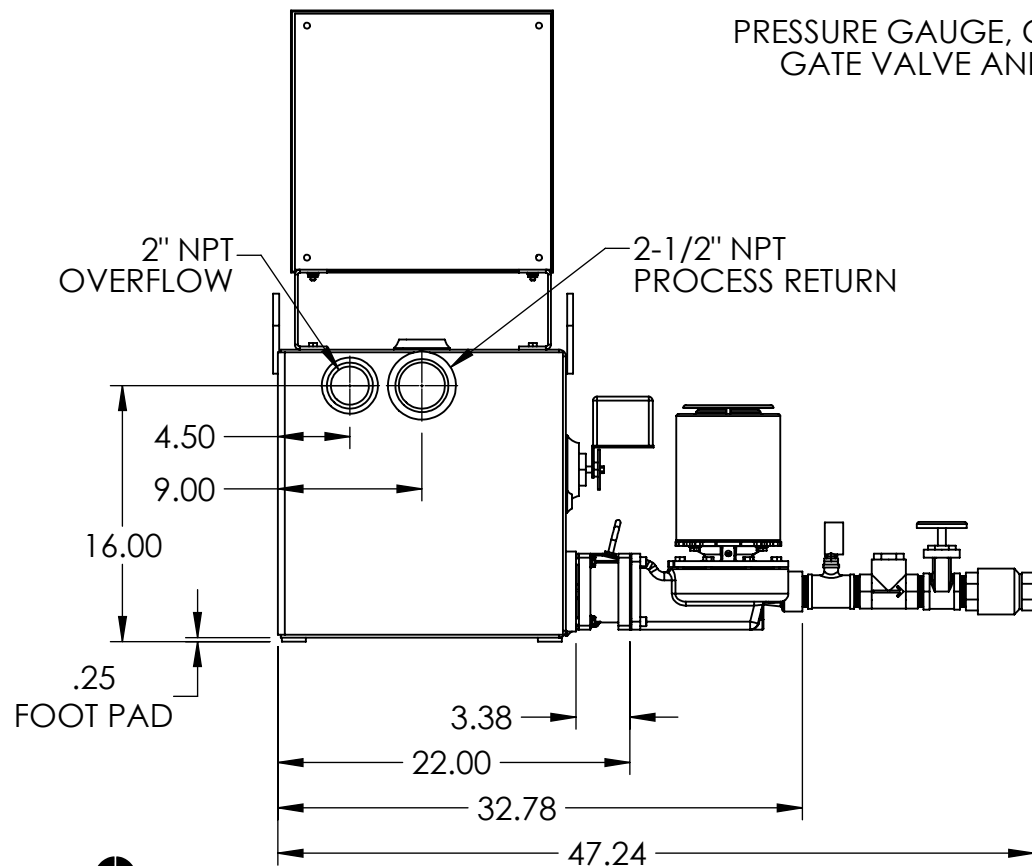
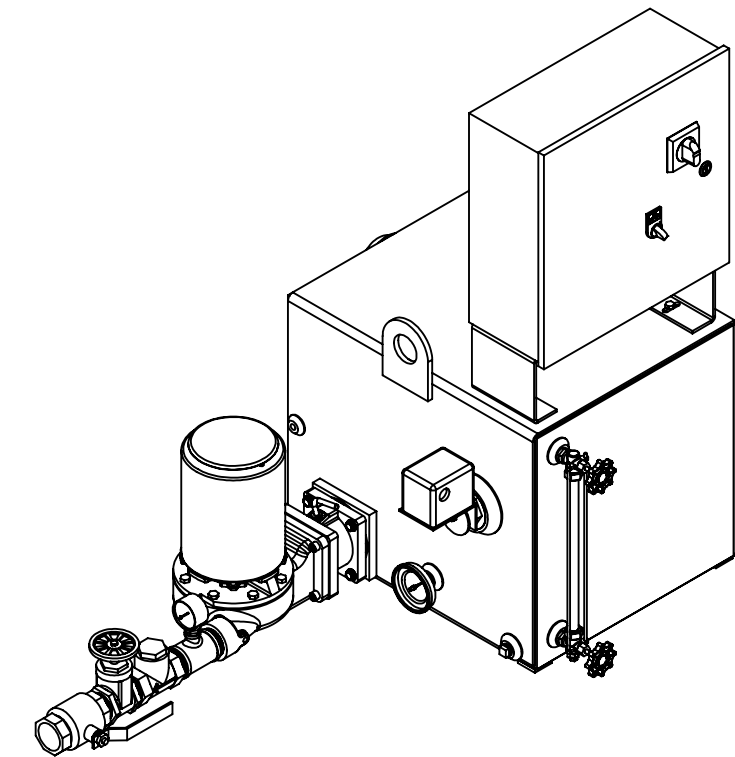
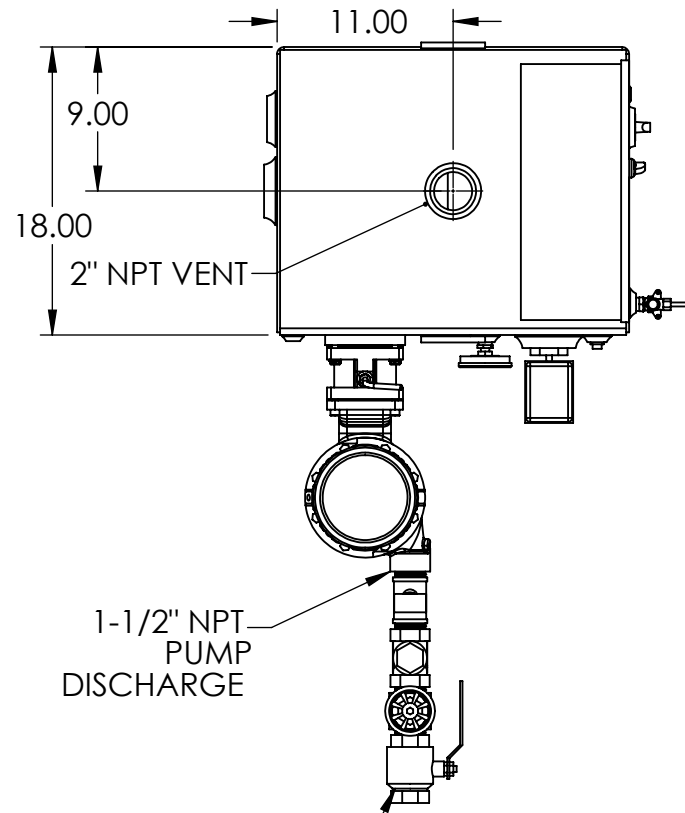


NOTES:

- TANK MATERIAL: STEEL
- ALL DIMENSIONS ARE ±0.25"
- DRAWING NOT FOR CONSTRUCTION
- CONSULT FACTORY AT TIME OF ORDER FOR CURRENT PRINT
- INLET BASKET STRAINER OR Y-STRAINER ALSO AVAILABLE

CONTROL PANEL OPTIONS ALSO AVAILABLE (NOT SHOWN):

- NEMA 4 OR NEMA 4X OR NEMA 3R CONSTRUCTION
- POWER ON LIGHT
- PUMP TEST BUTTON
- PUMP RUN TIME METER
- EXTRA DRY CONTACTS
- UL/CUL LABELED PANEL
- HIGH LEVEL ALARM HORN & LIGHT W/SILENCE SWITCH



PRESSURE GAUGE, CHECK VALVE
GATE VALVE AND BALL VALVE
(OPTIONAL)

LIFTING EYES
(OPTIONAL)

FLOAT SWITCH

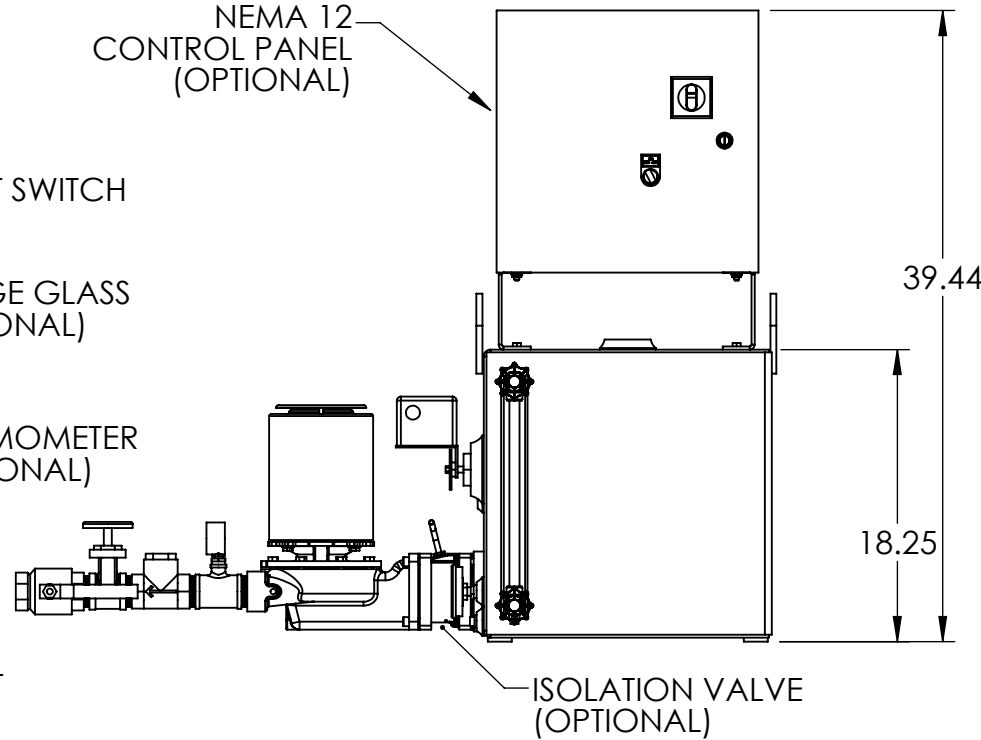
GAUGE GLASS
(OPTIONAL)

THERMOMETER
(OPTIONAL)

1/2" NPT
DRAIN

NEMA 12
CONTROL PANEL
(OPTIONAL)

ISOLATION VALVE
(OPTIONAL)



REV	DESCRIPTION	ECN	NAME	DATE
A	INITIAL DESIGN		GJM	4/12/2018

PART NO:	Ref PartNo	NAME	DATE	 THIRD ANGLE PROJECTION TITLE 30 GALLON SIMPLEX 4100 SERIES "J" CONDENSATE PUMP
FABRICATION TOLERANCES UNLESS OTHERWISE SPECIFIED: DIMENSIONS ARE IN INCHES	DRAWN	GJM	4/12/2018	
TOLERANCES: ANGULAR DIMENSIONS ±1° FRACTIONS ±1/32	CHECKED			
TWO PLACE DECIMAL ±0.06 THREE PLACE DECIMAL ±0.030	ENG APPR.			
		PRODUCT FAMILY	HTSP Boiler and Condensate	
		PRODUCT CATEGORY		
SHEET: 1 OF 1	WEIGHT 207.47	DRAWING MAY NOT BE PRINTED TO SCALE. SCALE: 1:12	DWG NO. 684.41030.01J	REV A

