

DIMENSIONS & DATA CERTIFIED FOR:

Representative:

Order:

Customer:

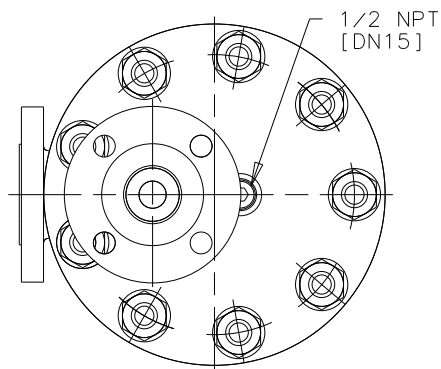
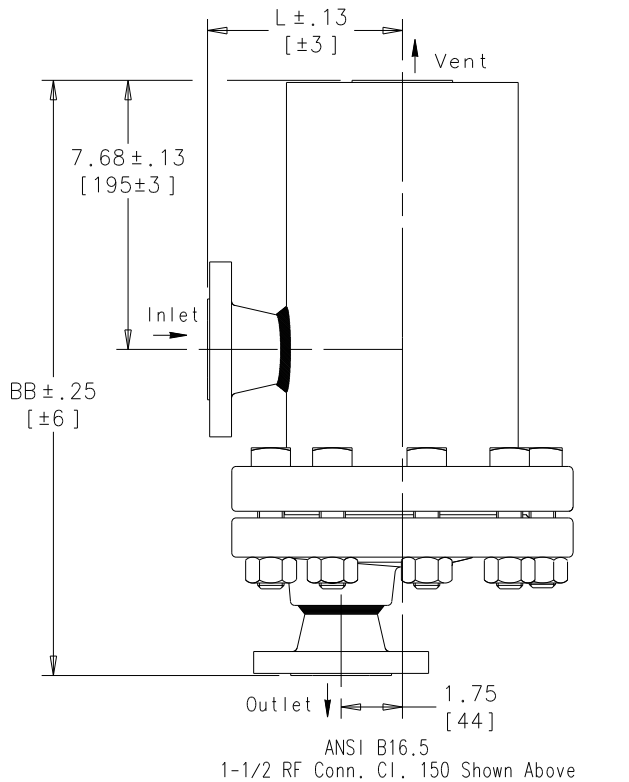
Order:

Project:

Requirements:

By:

Date:



DIMENSIONS ARE IN INCHES[mm]

LIST OF MATERIALS:

NAME OF PART	MATERIAL
BODY, CAP & FLANGES	ASTM A105
LEVER MECHANISM & FLOAT	STAINLESS STEEL
VALVE & SEAT	17-4 PH
GASKET	FLEXIBLE GRAPHITE
BOLT	ASTM A193 GR. B7
NUT	ASTM A194 GR. 2H
PLUG, PIPE	ASTM A108 GR. 1215

TECHNICAL INFORMATION

DESCRIPTION	DIMENSIONS		
	FLANGE CL 150		
CONNECTION (FLG)	1" [DN25]	1-1/4 [DN32]	1-1/2 [DN40]
"BB" (FACE TO FACE)	16-3/4 [425]	16-13/16 [427]	17 [432]
"L" (C OF VENT TO INLET)	5-5/16 [135]	5-3/8 [137]	5-9/16 [141]
WEIGHT [kgs] ±2 lb[1 kg]	93 lb [42]	94 lb [43]	95 lb [43.2]

DESCRIPTION	DIMENSIONS		
	FLANGE CL 300		
CONNECTION (FLG)	1" [DN25]	1-1/4 [DN32]	1-1/2 [DN40]
"BB" (FACE TO FACE)	17 [432]	17-1/8 [435]	17-1/4 [438]
"L" (C OF VENT TO INLET)	5-9/16 [141]	5-11/16 [145]	5-13/16 [148]
WEIGHT [kgs] ±2 lb[1 kg]	94 lb [43]	95 lb [43.2]	97 lb [44.5]

DESCRIPTION	DIMENSIONS		
	FLANGE CL 600		
CONNECTION (FLG)	1" [DN25]	1-1/4 [DN32]	1-1/2 [DN40]
"BB" (FACE TO FACE)	17-1/4 [438]	17-7/16 [443]	17-9/16 [446]
"L" (C OF VENT TO INLET)	5-13/16 [148]	6 [152]	6-1/8 [156]
WEIGHT [kgs] ±2 lb[1 kg]	94 lb [43]	96 lb [44]	57 lb [26]

OPTIONS:

CONNECTION	FLANGE CL	150	300	600

DESIGN INFORMATION

MAXIMUM ALLOWABLE PRESSURE (VESSEL DESIGN)	CL 150	285 psig at 100°F [20 bar at 38°C] 230 psig at 300°F [16 bar at 149°C]
	CL 300	740 psig at 100°F [51 bar at 38°C] 410 psig at 800°F [28 bar at 427°C]
	CL 600	1000 psig at 100°F [69 bar at 38°C] 600 psig at 750°F [41 bar at 400°C]


Armstrong International, Inc.
 Three Rivers Division
 Three Rivers, MI 49093
Armstrong (269) 273-1415 Fax(269) 278-6555
 Posted on Armstrong's homepage www.armstronginternational.com

Product	CD No.	Date
DRAINER 2315 HLS FLG. A105	1252	2/5/02
Rev; A		By; Paul G.