

DIMENSIONS & DATA CERTIFIED FOR:

Representative:

Order:

Customer:

Order:

Project:

Requirements:

By:

Date:

LIST OF MATERIALS:

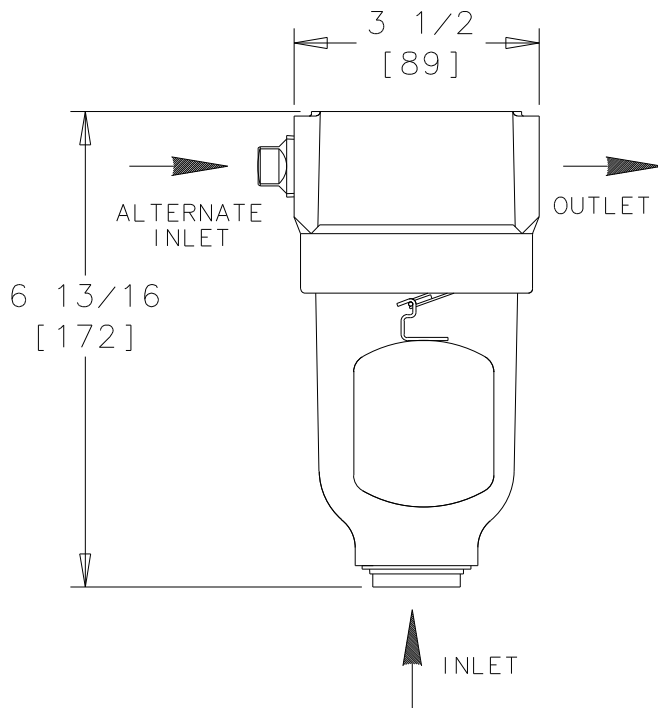
NAME OF PART	MATERIAL
Fitting	PBT (Polybutylene Terephthalate)
Body	PSO (Polysulfone)
Cap	PBT (Polybutylene Terephthalate)
O-Rings	FLUOROCARBON (Viton)
Float	T304
Lever & Screws	
Valve & Seat	T316
Retainer Ring	Zinc Plated Steel
NPT Plug	T316

TECHNICAL INFORMATION

MODEL NO.	1-AVCW
Connection, Inlet (NPT)	3/4 [DN20]
Alternate Inlet or Vent (NPT)	1/2 [DN15]
Connection, Outlet (NPT)	
Weight	1 lb [.5 kg]

DESIGN INFORMATION

Max Allowable Pressure (Vessel Design)	150 psig at 150°F [10 bar at 66°C]
--	---------------------------------------



1-AVC

DIMENSIONS ARE IN INCHES[mm]