

# DIMENSIONS & DATA CERTIFIED FOR:

Representative:

Order:

Customer:

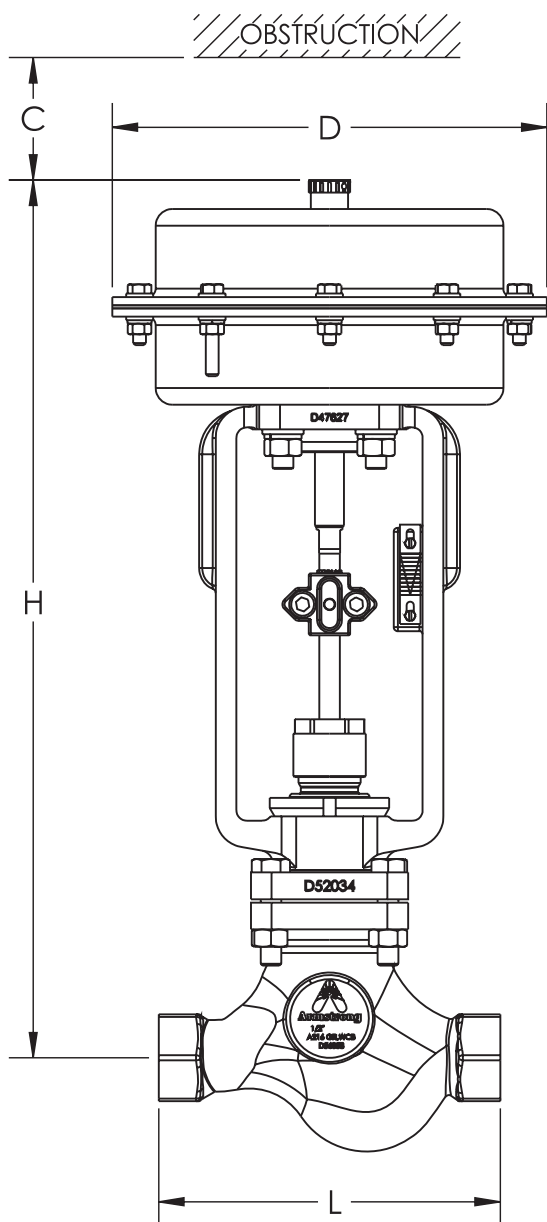
Order:

Project:

Requirements:

By:

Date:



Dimensions Are In Inches [mm]

## LIST OF MATERIALS

NAME OF PART	MATERIAL
VALVE BODY	ASTM A216 Gr. WCB
BONNET	
VALVE & VALVE SEAT	ASTM A-276, TYP 420
VALVE STEM	
GLAND PACKING	TEFLON (OPTION 1) GRAFOIL (OPTION 2)
YOKE	ASTM A-536 GR. 60-40-18
ACTUATOR SPRING	IS4454-2 Gr. TDSiCr
ACTUATOR DIAPHRAGM	NBR 60 WITH FIBER REINFORCED

## TECHNICAL INFORMATION

PLUG DESIGN	CONTOURED TOP (UNBALANCED)
FLOW CHARACTERISTICS	EQUAL PERCENTAGE
LEAKAGE	ANSI CLASS IV
RANGEABILITY	
TRAVEL	1/2 [15] - 1-1/2 [40]
	2 [50]
MAXIMUM TEMPERATURE	800°F [427°C]
MAXIMUM PRESSURE	740 PSI [51 BAR]

## DIMENSIONS & WEIGHTS

SIZE NPT	L	C	D	H	Cv	WEIGHT lbs [kgs]
1/2 [15]	6.5 [165]	5.9 [150]	8.3 [210]	16.7 [424]	5	31 [14]
3/4 [20]	6.5 [165]			16.7 [424]	9	31 [14]
1 [25]	7.8 [197]			16.8 [426]	13	35 [16]
1-1/4 [32]	9.3 [235]			17.8 [451]	21	40 [18]
1-1/2 [40]	9.3 [235]			17.8 [451]	30	42 [19]
2 [50]	10.5 [267]			11.0 [280]	19.8 [504]	50

NOTES:

1. REDUCED TRIM Cv AVAILABLE.



Product

ENGLISH

CD No.

Rev;

Date

1500 SERIES CONTROL VALVE  
THREADED CONTOURED TOP GUIDED (UNBALANCED)

WEB  
Y/N

CD2821

A

04/09/2014

SHEET 1 OF 1

By: Vinoth Kumar N