

# DIMENSIONS & DATA CERTIFIED FOR:

Representative:

Order:

Customer:

Order:

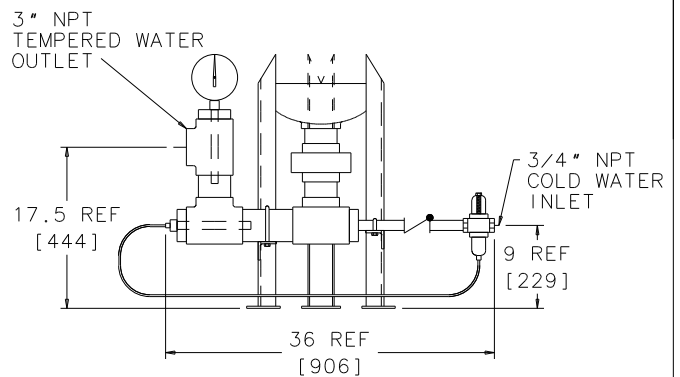
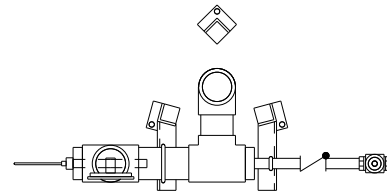
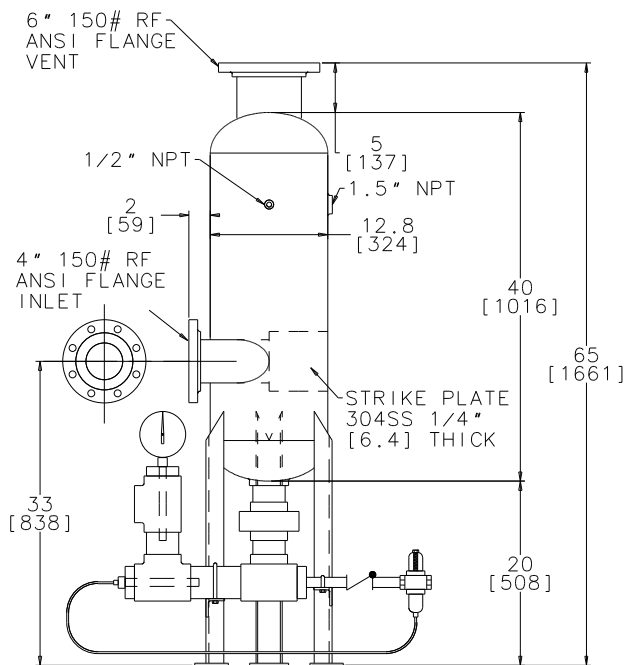
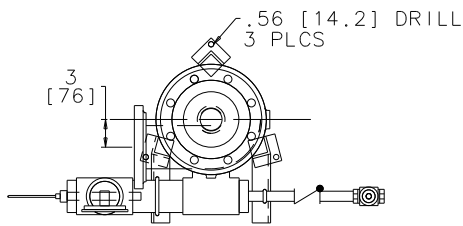
Project:

Requirements:

By:

Date:

MATERIAL LIST		
DESCRIPTION	COMMERCIAL	INDUSTRIAL
VAFT-1238BDV	CS ASME 150 PSI	CS ASME 150 PSI
FITTINGS	MALLEABLE IRON 150#	FORGED STEEL 3000#
PIPE	SCH 40 A53	SCH 80 A106
THERMOMETER	5" SS (0-250/-20-+120)	5" SS (0-250/-20-+120)
THERMOWELL	BRASS	BRASS
WATER VALVE	3/4" 56T (100-175F/38-79C)	3/4" 56T (100-175F/38-79C)
CAPILLARY	COPPER 6 FT [1829] LONG	COPPER 6 FT [1829] LONG
CHECK VALVE	BRONZE SWING	SS INLINE



Product	ENGLISH	CD No.	Date
12" BLOW DOWN FLASH TANK WITH AFTER COOLER	WEB	CD2326	9/29/09
	YIN		
	X	Rev; A CN22207	By; MATT MC