

# DIMENSIONS & DATA CERTIFIED FOR:

Representative:

Order:

Customer:

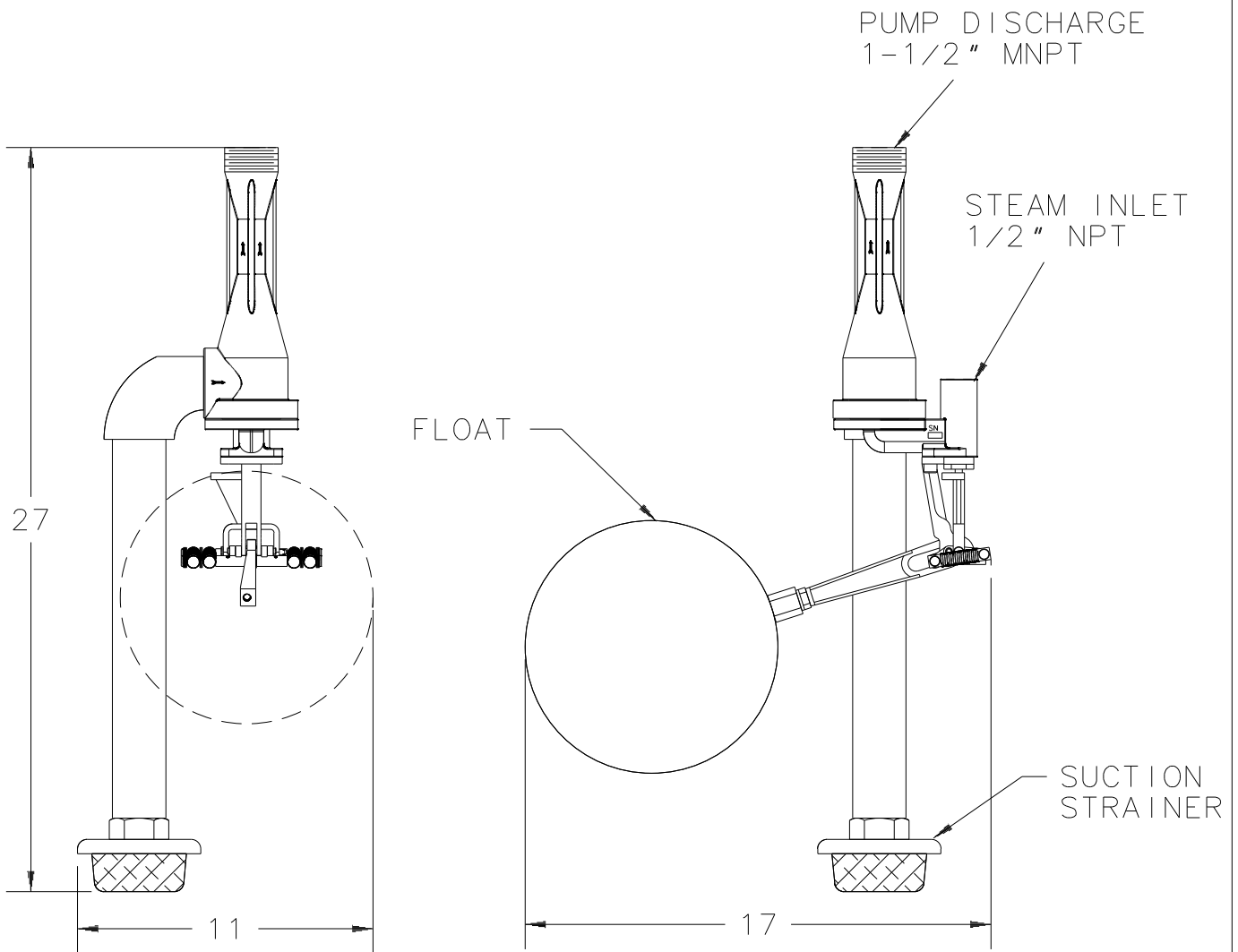
Order:

Project:

Requirements:

By:

Date:



**NOTES:**

1. OPERATING STEAM PRESSURE: 60-175 PSIG
2. MAXIMUM FLUID TEMPERATURE: 140°F
3. MAXIMUM DISCHARGE PRESSURE: 20 PSIG

Armstrong Fluid Handling, Inc. Three Rivers, MI. 49093 Telephone (269) 279-3601 Fax (269) 279-3150 Posted on Armstrong's homepage <a href="http://www.armstrong-intl.com">www.armstrong-intl.com</a>		
Product	CDF No.	Date
1-1/2" SUMP EJECTOR	CDF 1065	9/4/03
		Rev. A

## LIST OF MATERIALS

MECHANISM	ASTM A351 CF8M
SPRINGS	INCONEL X-750
SPRING ENDS	304 STAINLESS STEEL
CLEVIS PINS	304 STAINLESS STEEL
BODY	ASTM A351 CF8M
NOZZLE	303 STAINLESS STEEL
SEAL RETAINER	303 STAINLESS STEEL
MOTIVE BALL	440-C STAINLESS STEEL
MOTIVE VALVE	316 STAINLESS STEEL
ROD SEAL	PTFE
SEAL SPRING	HASTELLOY C-276
ROD WIPER	NITRILE
O-RING	EPDM
BOLTS	18-8 STAINLESS STEEL
STRAINER BODY	GLASS FILLED NYLON
STRAINER MESH	STAINLESS STEEL
FITTINGS	304 STAINLESS STEEL
PIPE	304 STAINLESS STEEL



Armstrong Fluid Handling, Inc.

Three Rivers, MI. 49093

Telephone (616) 279-3601

Fax (616) 279-3150

Posted on Armstrong's homepage [www.armstrong-intl.com](http://www.armstrong-intl.com)

Product	CDF No.	Date
1-1/2" SUMP EJECTOR	CDF 1065	9/4/03
		Rev. A