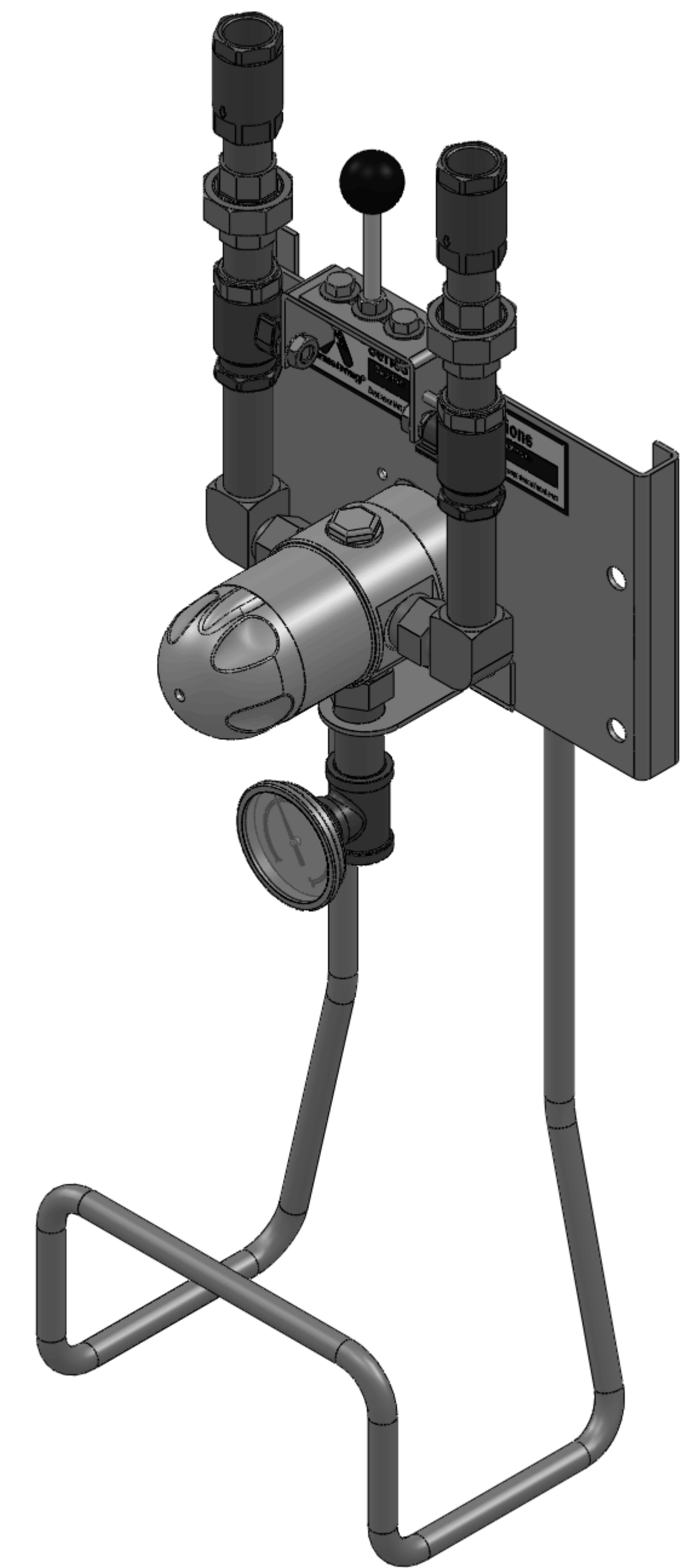
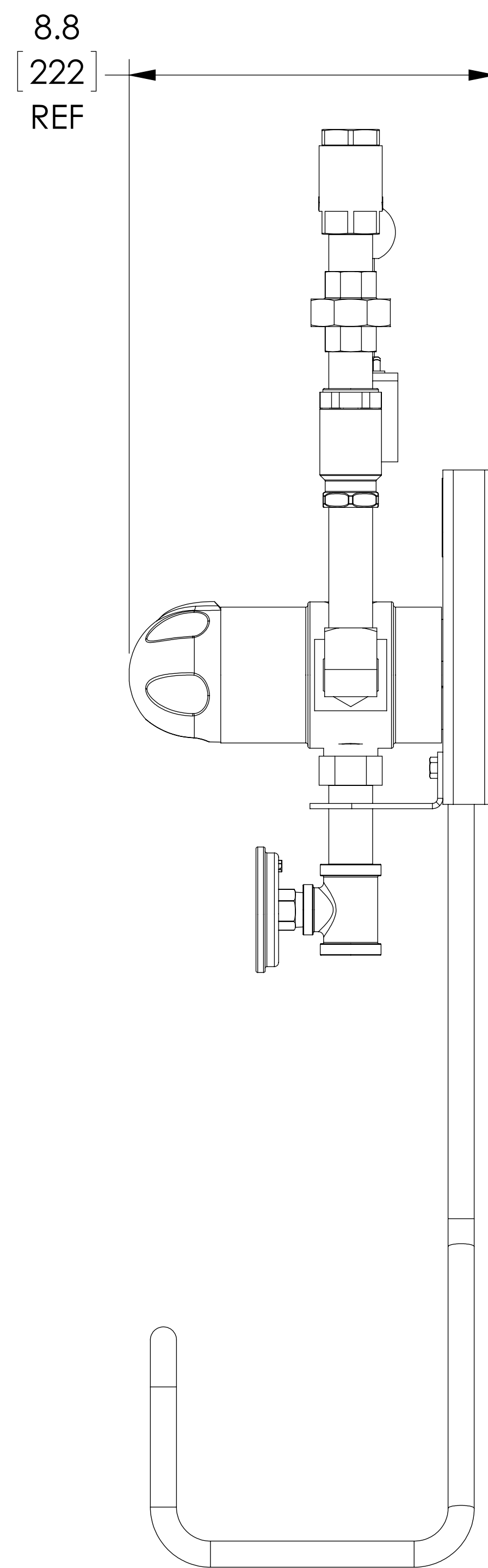
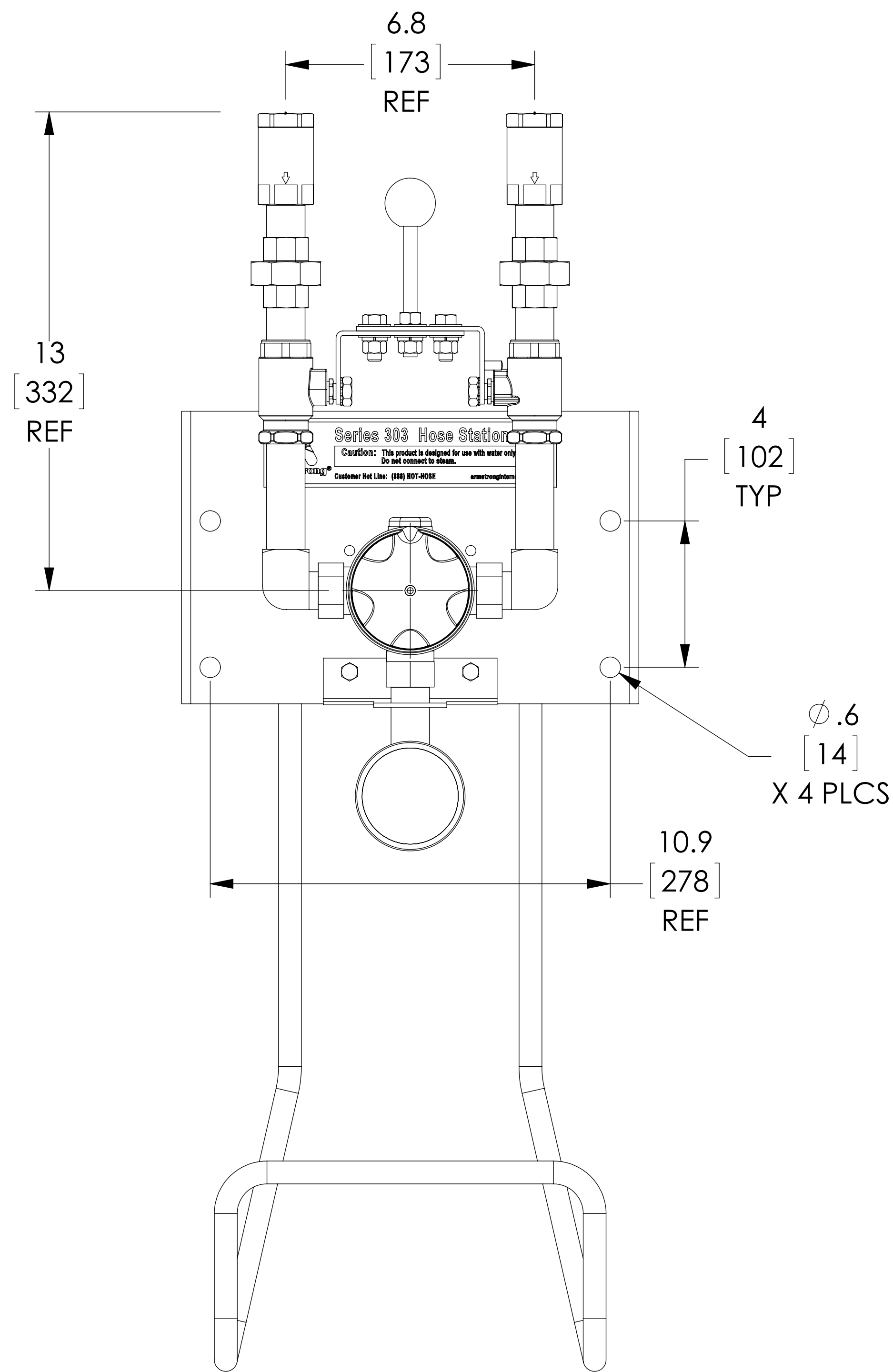


ITEM	MATERIAL
MIXING VALVE BODY	BRASS
COMPONENTS	BRASS
BACKPLATE / RACK	STAINLESS STEEL
HOSE	N/A
NOZZLE	N/A
LOCATION	CONNECTION
COLD WATER IN CONNECTION	3/4" NPT
HOT WATER IN CONNECTION	3/4" NPT
OUTLET	3/4" NPT



NOTES:
REFERENCE ARMSTRONG DRAWING D24716

DO NOT SCALE DRAWING	
TOLERANCES UNLESS OTHERWISE SPECIFIED	
DIMENSIONING ENGLISH [mm]	
FRACTIONAL	± 1/64
ANGULAR:	± 2
DECIMAL	.XXXX ± .0005
	.XXX ± .005
	.XX ± .015
	.X ± .03

Armstrong®

NAME	DATE
CFG	10/2/2015
RELEASED	

ARMSTRONG INTERNATIONAL Copyright © 2010 ARMSTRONG INTERNATIONAL, INC.	
3032 320 HOT/COLD HOSE STATION	
D24716 C-199312	
MATERIAL	SHEET 1 OF 1
REV	DWG. SALES