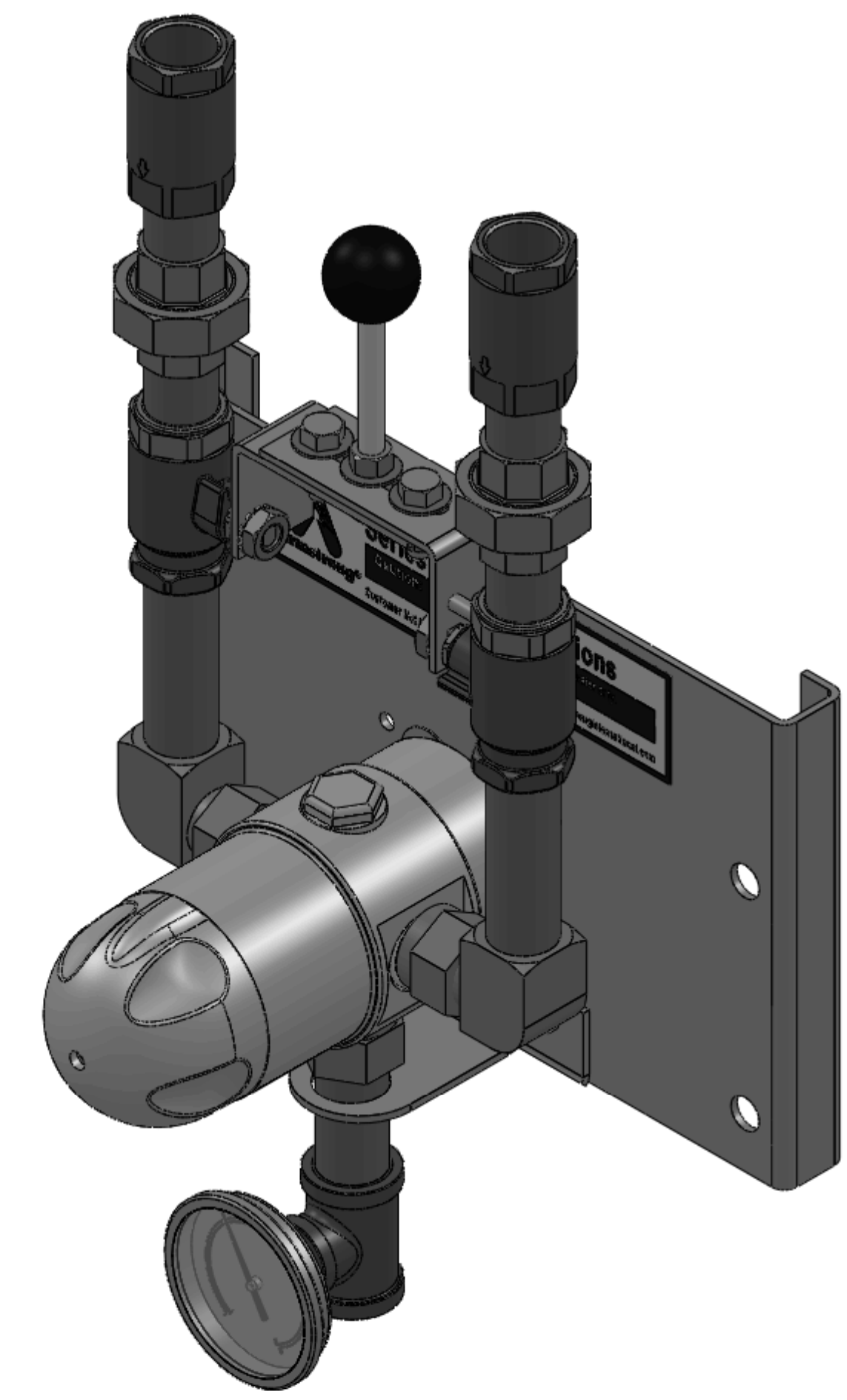
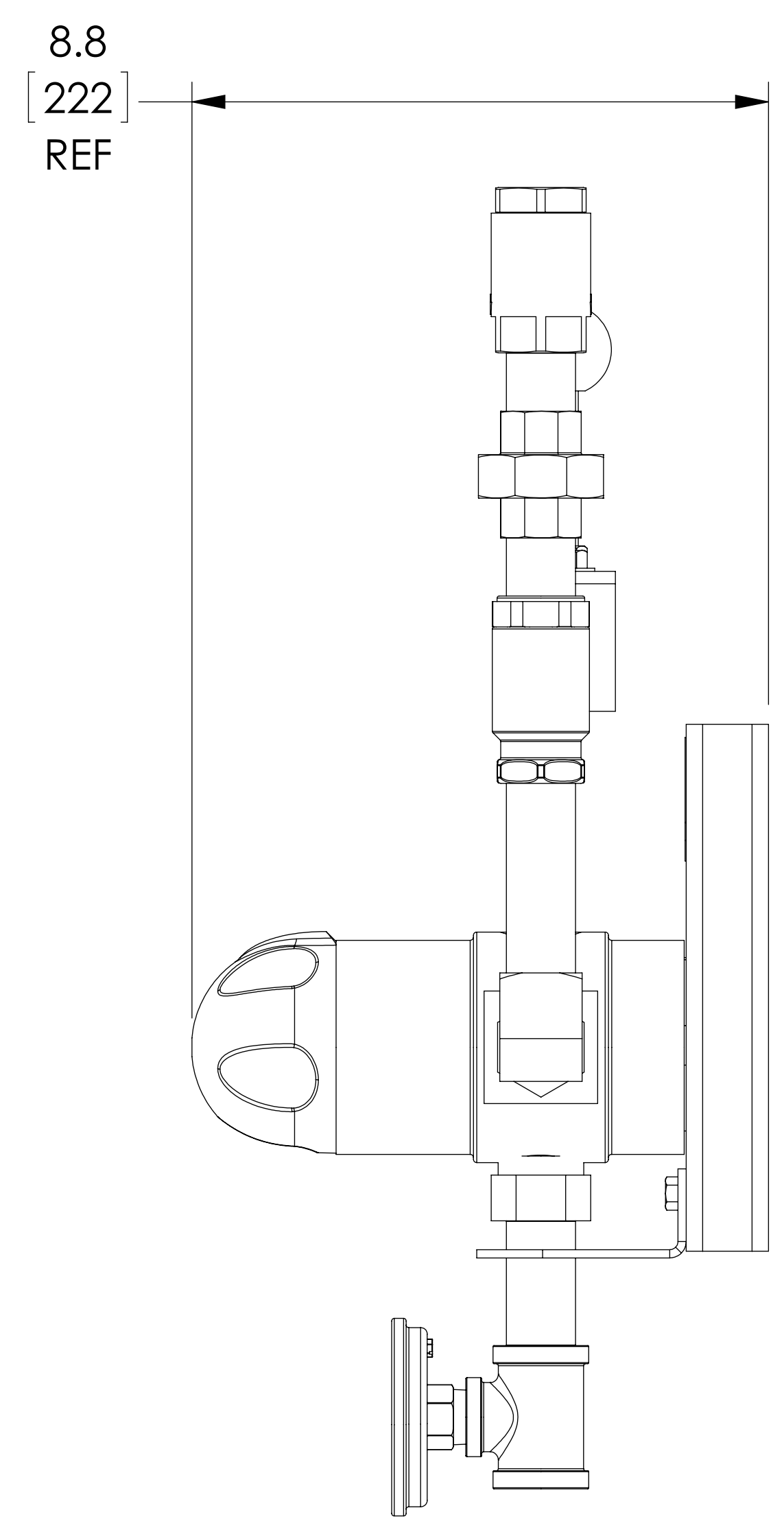
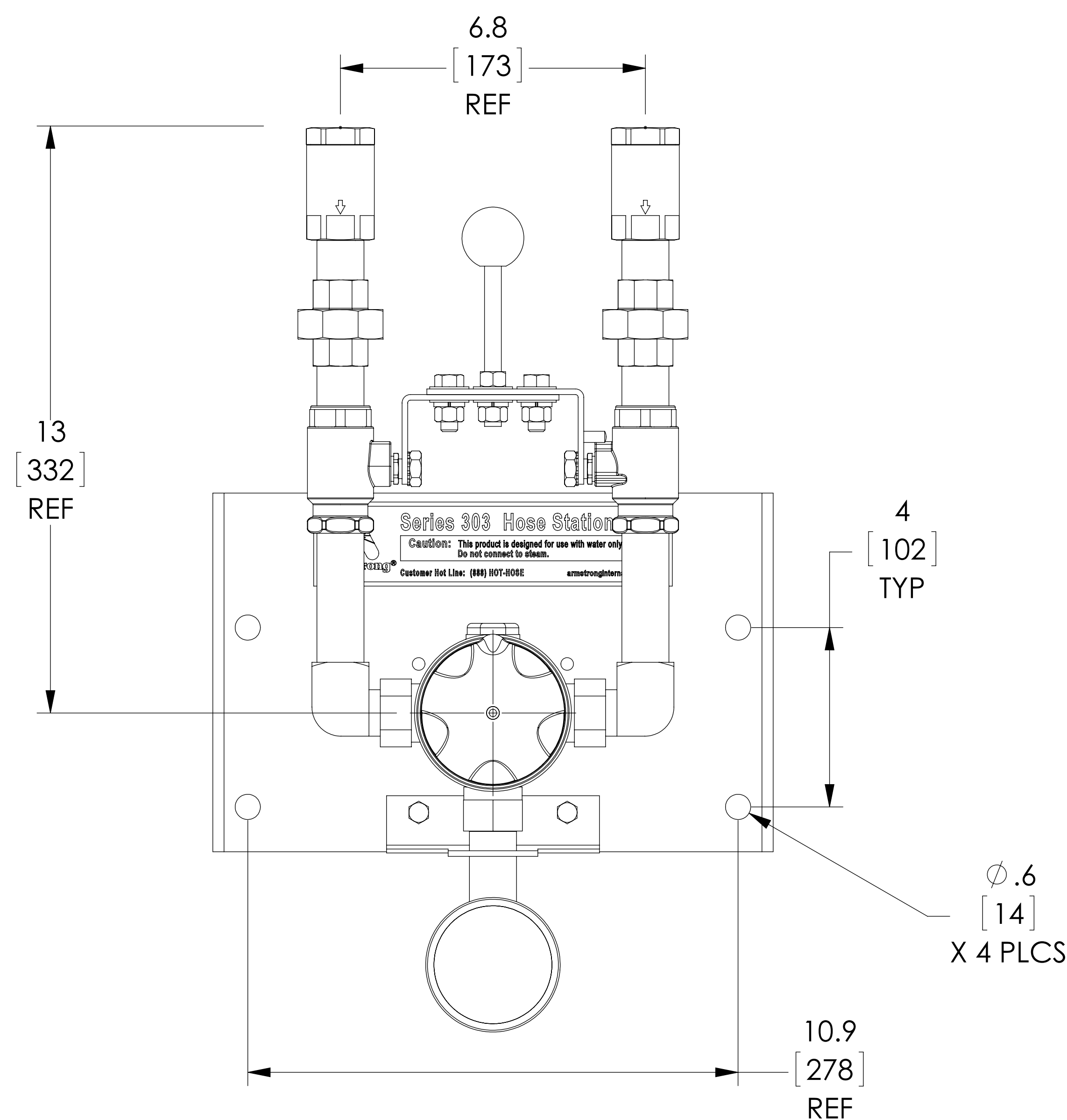


ITEM	MATERIAL
MIXING VALVE BODY	BRASS
COMPONENTS	BRASS
BACKPLATE / RACK	STAINLESS STEEL
HOSE	N/A
NOZZLE	N/A
LOCATION	CONNECTION
COLD WATER IN CONNECTION	3/4" NPT
HOT WATER IN CONNECTION	3/4" NPT
OUTLET	3/4" NPT



NOTES:
REFERENCE ARMSTRONG DRAWING D24715

				ARMSTRONG INTERNATIONAL Copyright © 2010 ARMSTRONG INTERNATIONAL, INC.														
DO NOT SCALE DRAWING TOLERANCES UNLESS OTHERWISE SPECIFIED DIMENSIONING ENGLISH [mm]				3031 320 HOT/COLD HOSE STATION														
FRACTIONAL ± 1/64 ANGULAR: ± 2				D24715 C-199309														
<table border="1"> <tr> <td>DECIMAL</td> <td>.XXX ± .005</td> <td>.010</td> </tr> <tr> <td></td> <td>.XX ± .015</td> <td>.10</td> </tr> <tr> <td></td> <td>.X ± .3</td> <td></td> </tr> </table>		DECIMAL	.XXX ± .005	.010		.XX ± .015	.10		.X ± .3		<table border="1"> <tr> <td>NAME</td> <td>DATE</td> </tr> <tr> <td>CFG</td> <td>10/2/2015</td> </tr> </table>	NAME	DATE	CFG	10/2/2015	MATERIAL	SHEET 1 OF 1	
DECIMAL	.XXX ± .005	.010																
	.XX ± .015	.10																
	.X ± .3																	
NAME	DATE																	
CFG	10/2/2015																	
RELEASED			REV	DWG. SALES														