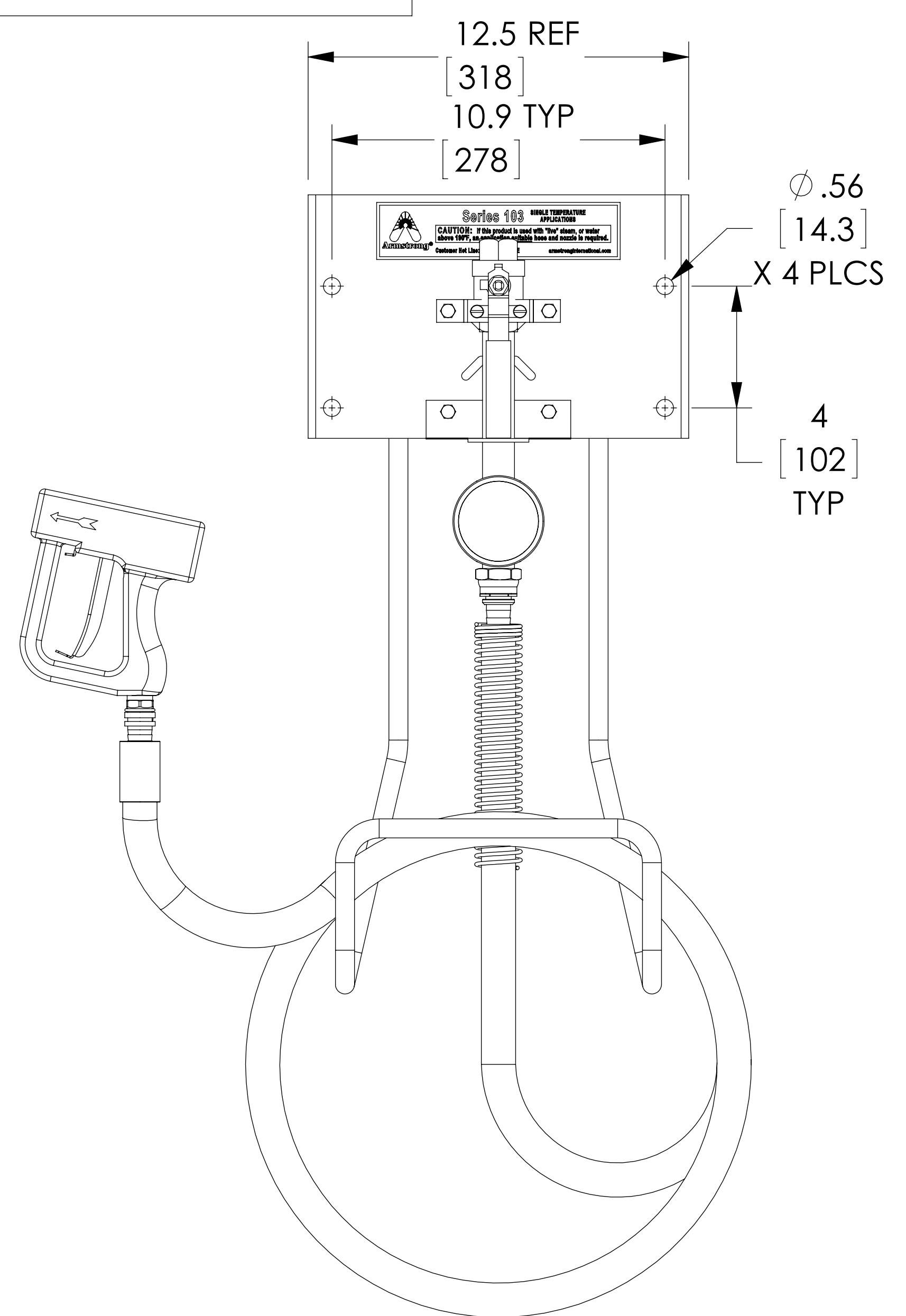
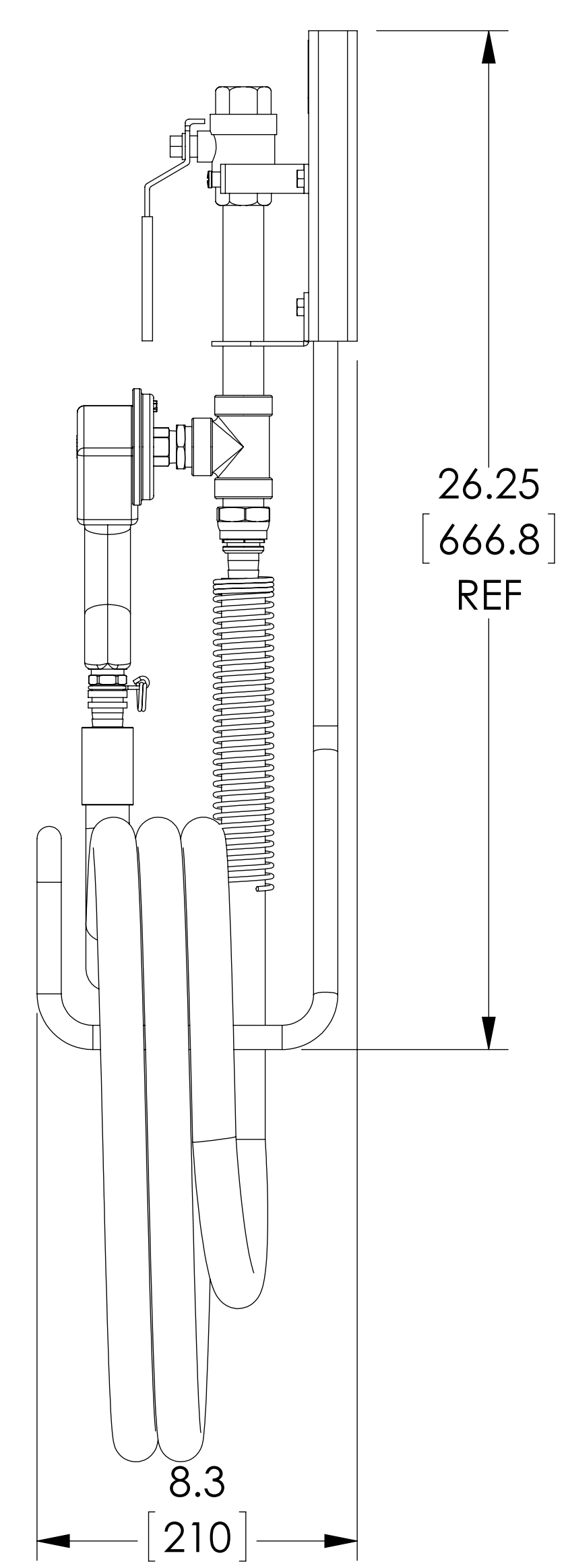


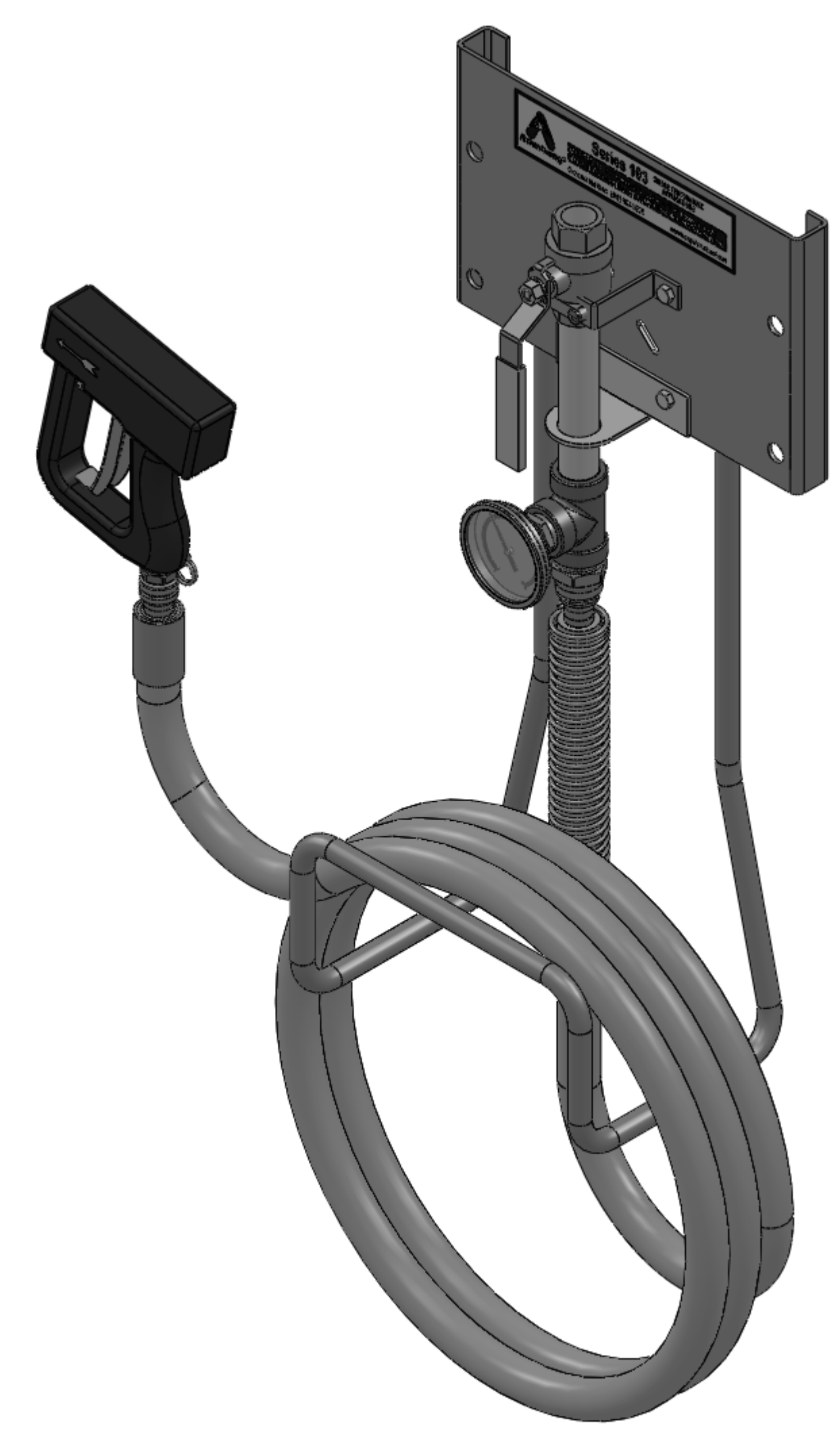
ITEM	MATERIAL
VALVE BODY	STAINLESS STEEL
COMPONENTS	STAINLESS STEEL
RACK	STAINLESS STEEL
HOSE	YELLOW (190F [93C])
NOZZLE	STAINLESS STEEL
LOCATION	
INLET	3/4" NPT
OUTLET	3/4" NPT



SCALE 0.3 : 1



SCALE 0.3 : 1



SCALE 0.3 : 1

				<b>ARMSTRONG INTERNATIONAL</b> Copyright © 2010 ARMSTRONG INTERNATIONAL, INC.															
DO NOT SCALE DRAWING TOLERANCES UNLESS OTHERWISE SPECIFIED DIMENSIONING ENGLISH [mm]				1033 3/4 NPT SS STANDARD W/HOSE RACK YEL HOSE 50 FT TRIGGERGUARD SS C-201842															
FRACTIONAL ± 1/64 ANGULAR: ± 2		<table border="1"> <tr> <td></td> <td>NAME</td> <td>DATE</td> </tr> <tr> <td>DRAWN</td> <td>CFG</td> <td>10/21/2015</td> </tr> <tr> <td>RELEASED</td> <td></td> <td></td> </tr> </table>			NAME	DATE	DRAWN	CFG	10/21/2015	RELEASED			MATERIAL SHEET 1 OF 1						
	NAME	DATE																	
DRAWN	CFG	10/21/2015																	
RELEASED																			
<table border="1"> <tr> <td>DECIMAL</td> <td>.XXXX ± .0005</td> <td>IN.</td> <td>----</td> </tr> <tr> <td></td> <td>.XXX ± .005</td> <td>MM</td> <td>.10</td> </tr> <tr> <td></td> <td>.XX ± .015</td> <td></td> <td>.10</td> </tr> <tr> <td></td> <td>.X ± .03</td> <td></td> <td>.3</td> </tr> </table>		DECIMAL	.XXXX ± .0005	IN.	----		.XXX ± .005	MM	.10		.XX ± .015		.10		.X ± .03		.3	REV A DWG. D27001	
DECIMAL	.XXXX ± .0005	IN.	----																
	.XXX ± .005	MM	.10																
	.XX ± .015		.10																
	.X ± .03		.3																