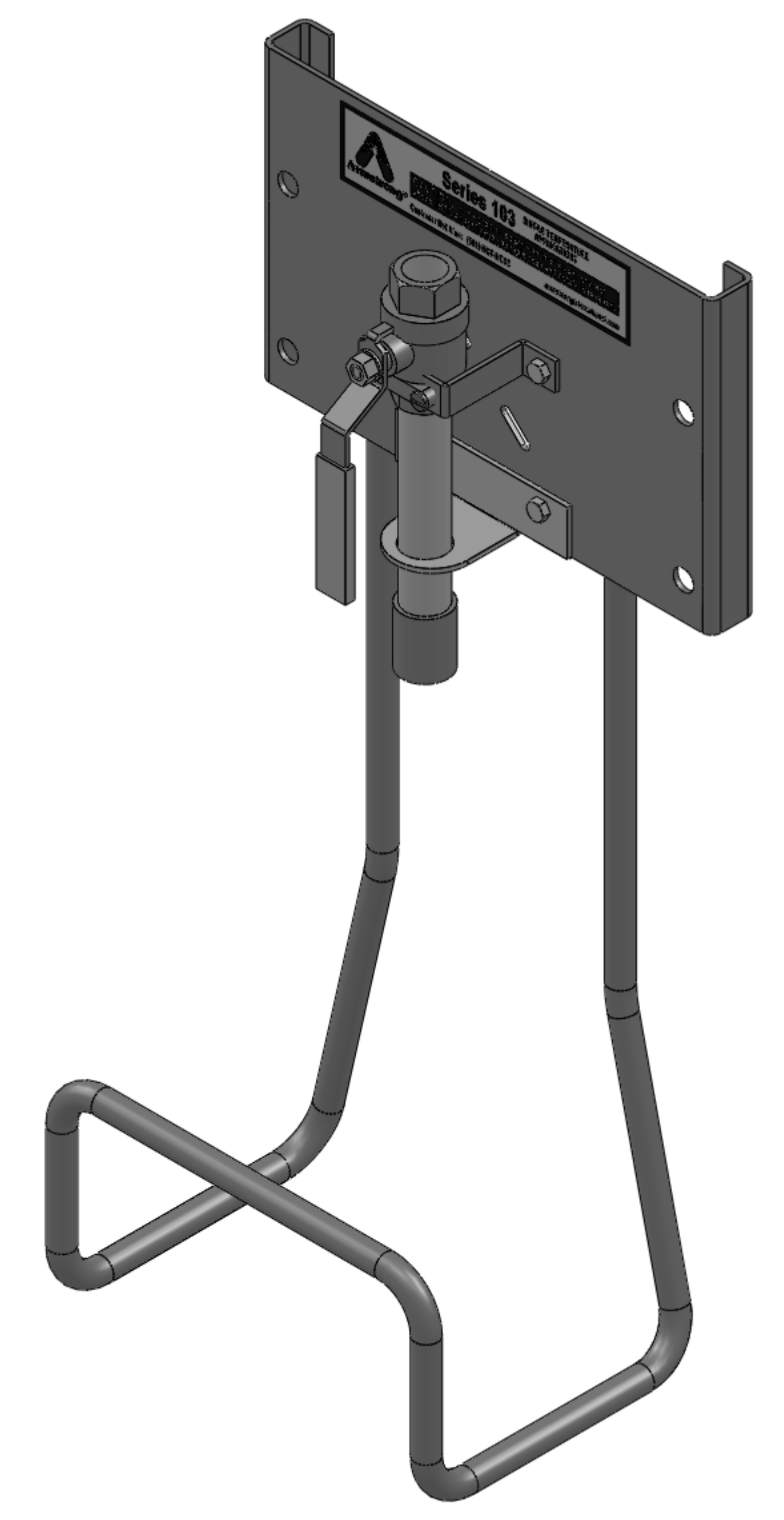
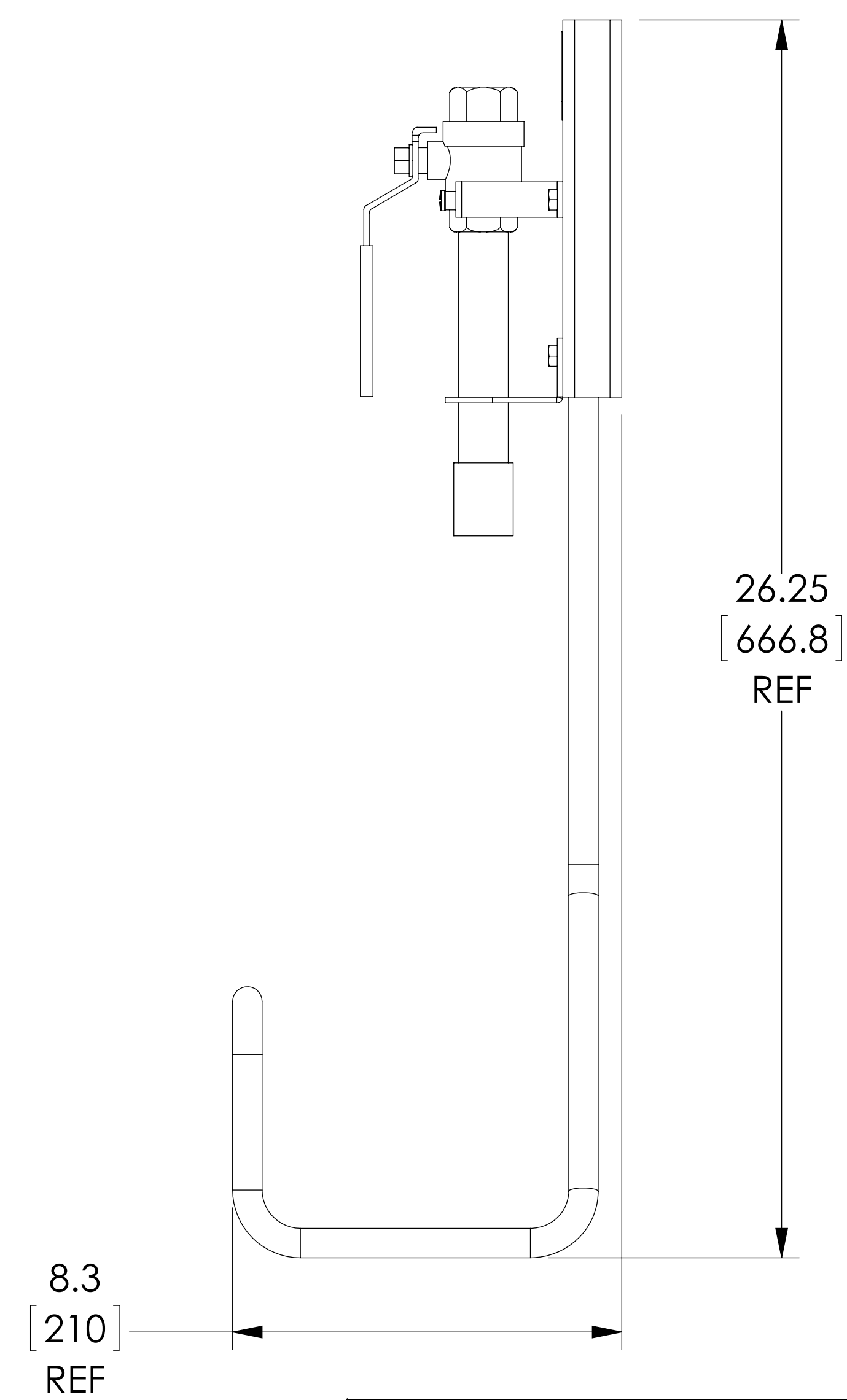
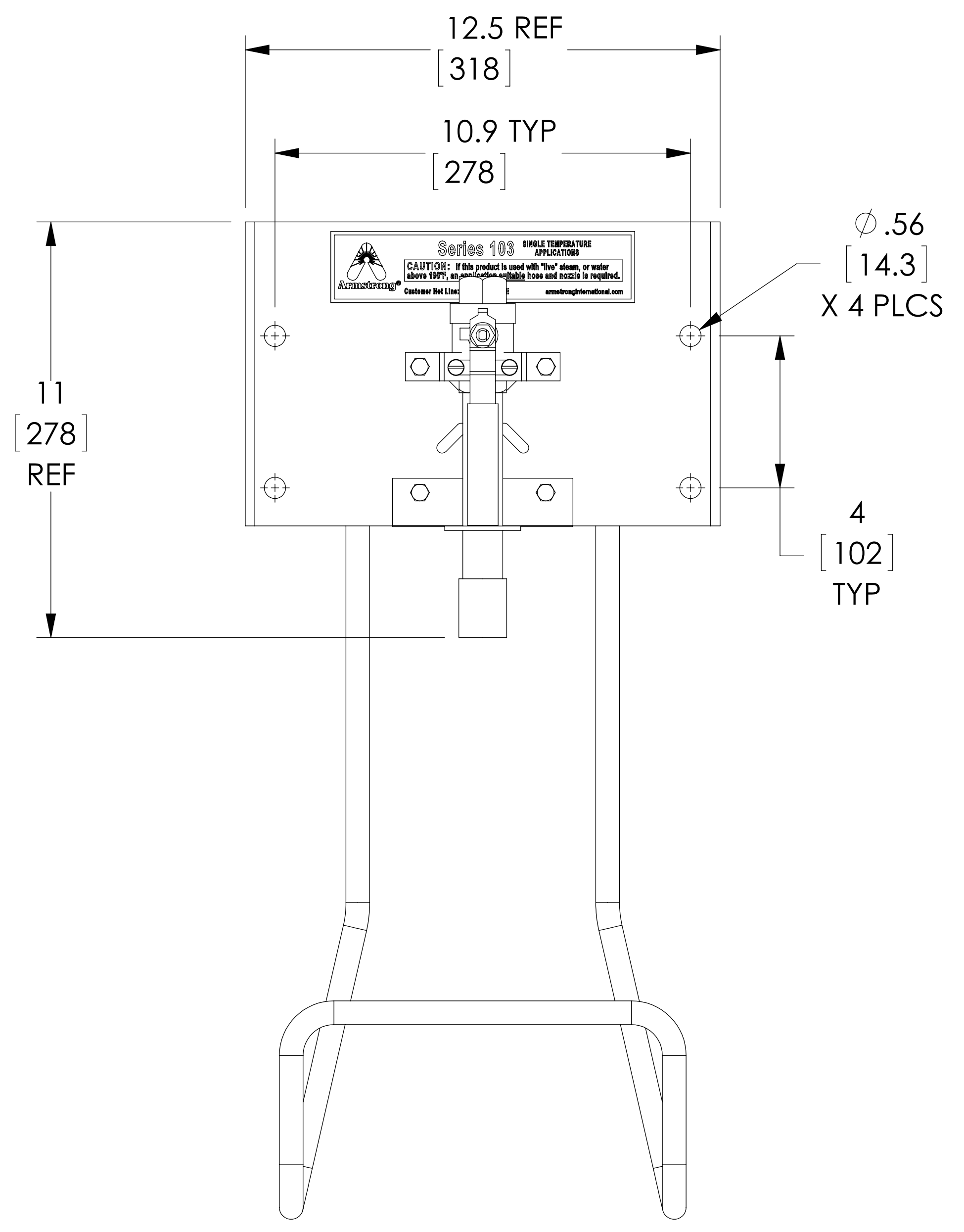


ITEM	MATERIAL
VALVE BODY	STAINLESS STEEL
COMPONENTS	STAINLESS STEEL
RACK	STAINLESS STEEL
HOSE	N/A
NOZZLE	N/A
LOCATION	
INLET	3/4" NPT
OUTLET	3/4" NPT



DO NOT SCALE DRAWING	
TOLERANCES UNLESS OTHERWISE SPECIFIED	
DIMENSIONING ENGLISH [mm]	
FRACTIONAL ± 1/64	
ANGULAR: ± 2	
DECIMAL	IN. MM
.XXXX ± .0005	----
.XXX ± .005	.010
.XX ± .015	.10
.X	.3

NAME	DATE
CFG	10/21/2015
RELEASED	

ARMSTRONG INTERNATIONAL
Copyright © 2010 ARMSTRONG INTERNATIONAL, INC.

1032 3/4 NPT SS STANDARD W/HOSE RACK

C-201832

MATERIAL	SHEET 1 OF 1
REV A	DWG. D26999