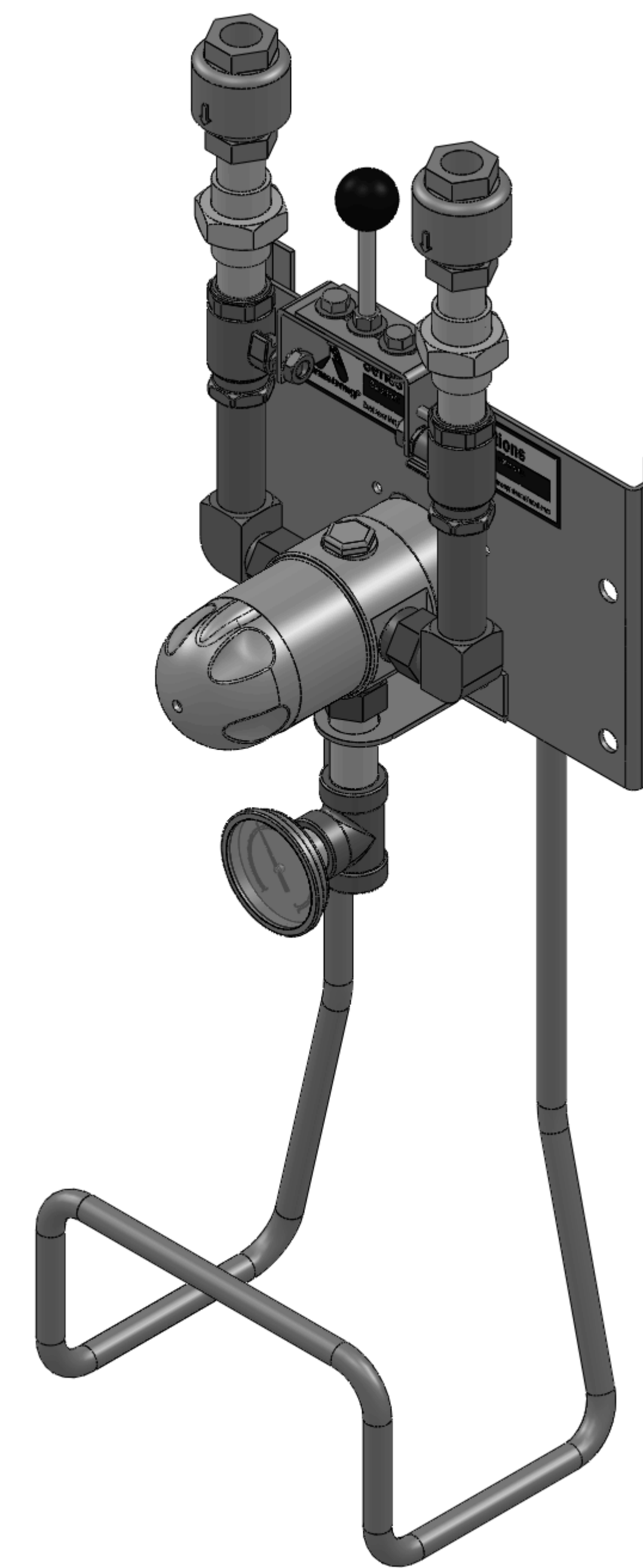
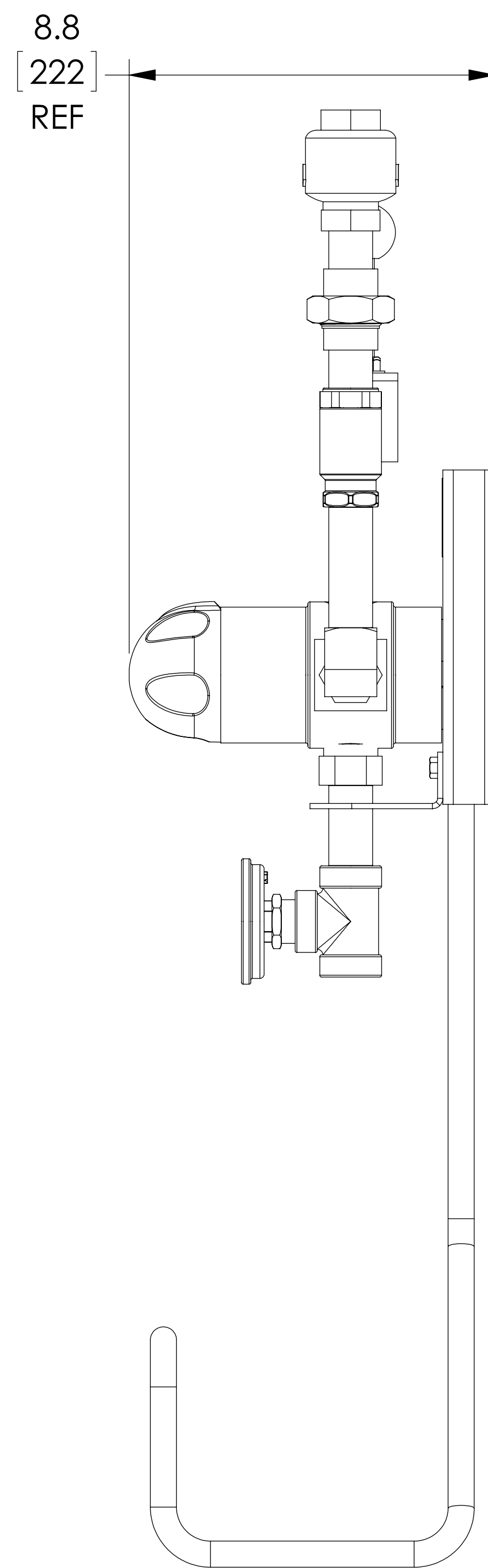
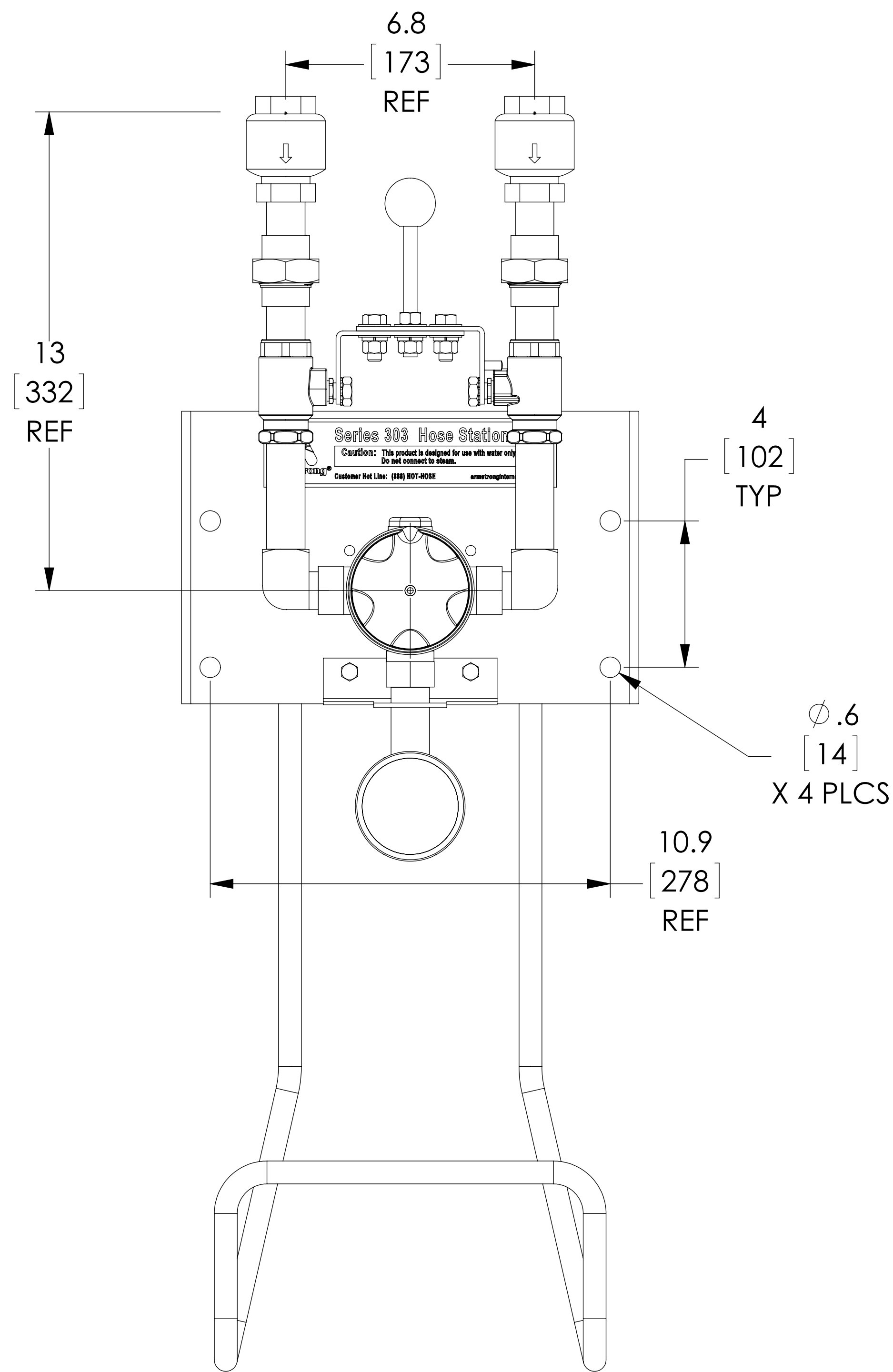


ITEM	MATERIAL
MIXING VALVE BODY	BRASS
COMPONENTS	NICKEL PLATED
BACKPLATE / RACK	STAINLESS STEEL
HOSE	N/A
NOZZLE	N/A
LOCATION	CONNECTION
COLD WATER IN CONNECTION	3/4" NPT
HOT WATER IN CONNECTION	3/4" NPT
OUTLET	3/4" NPT



NOTES:
REFERENCE ARMSTRONG DRAWING D26918

DO NOT SCALE DRAWING	
TOLERANCES UNLESS OTHERWISE SPECIFIED	
DIMENSIONING ENGLISH [mm]	
FRACTIONAL	± 1/64
ANGULAR:	± 2
DECIMAL	.XXXX ± .0005
	.XXX ± .005
	.XX ± .015
	.X ± .3

NAME	DATE
DRAWN	10/2/2015
RELEASED	

ARMSTRONG INTERNATIONAL Copyright © 2010 ARMSTRONG INTERNATIONAL, INC.	
3032S 320 HOT/COLD STATION	
D26918 C-199323	
MATERIAL	SHEET 1 OF 1
REV	DWG. SALES