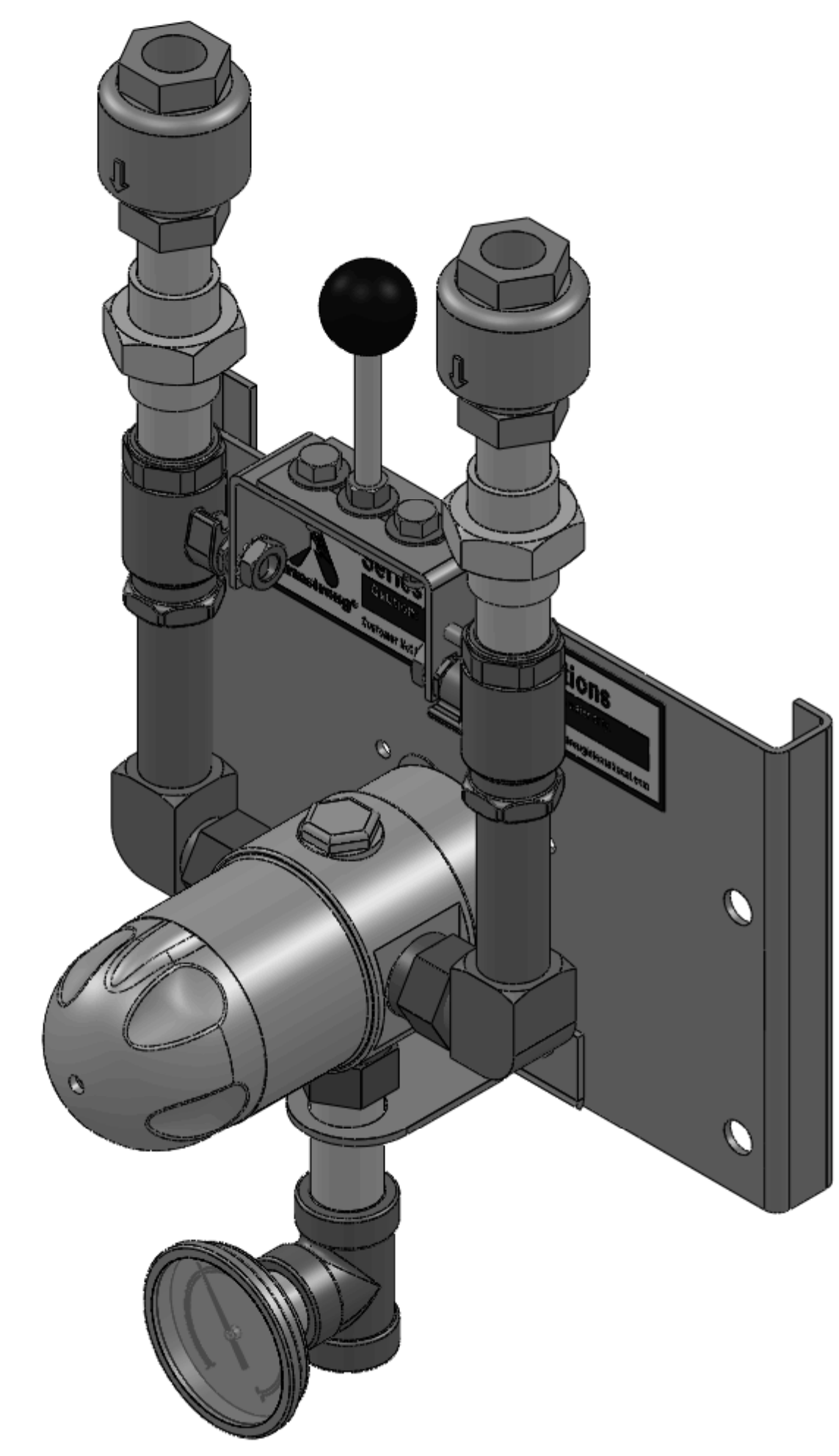
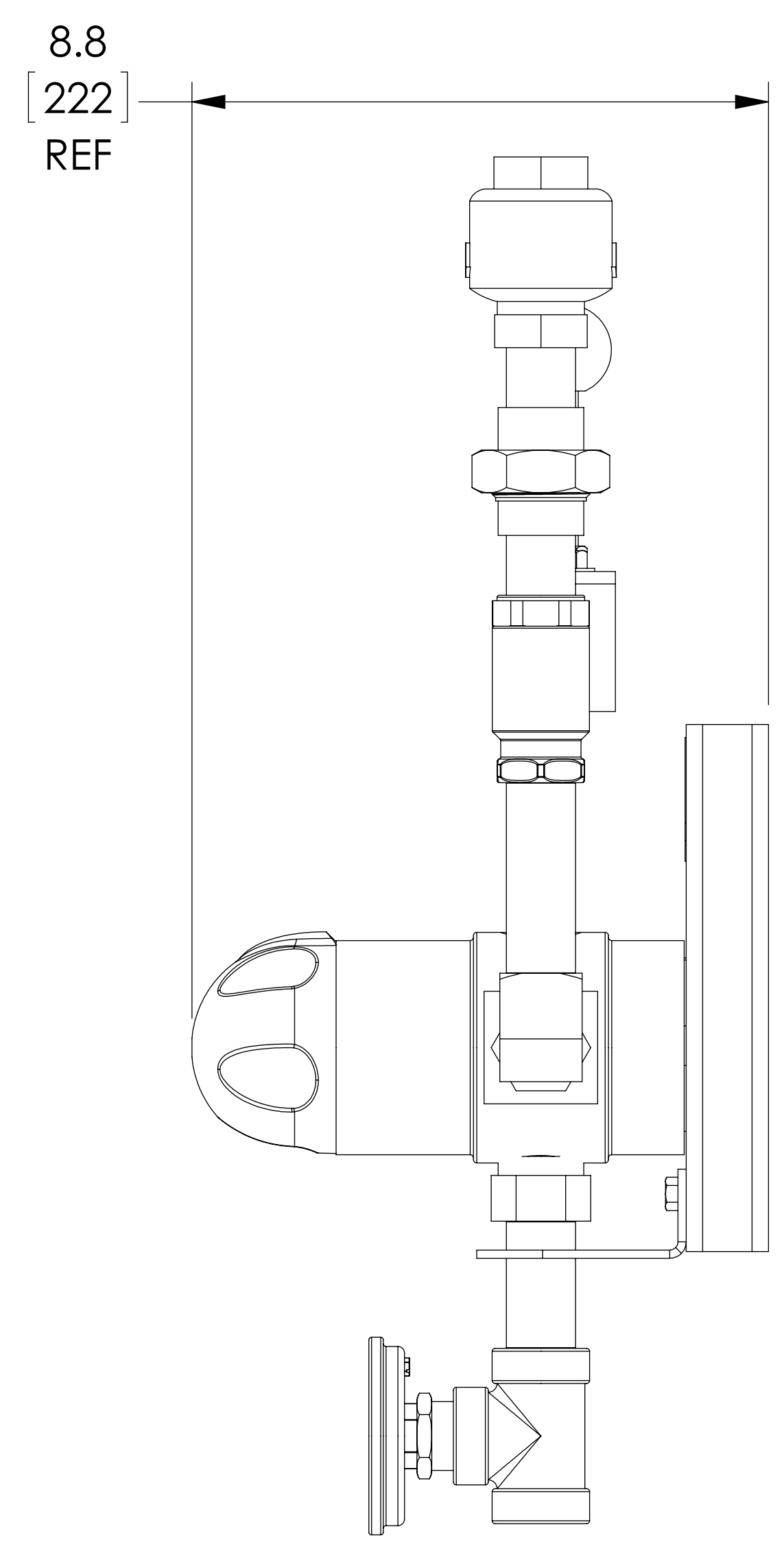
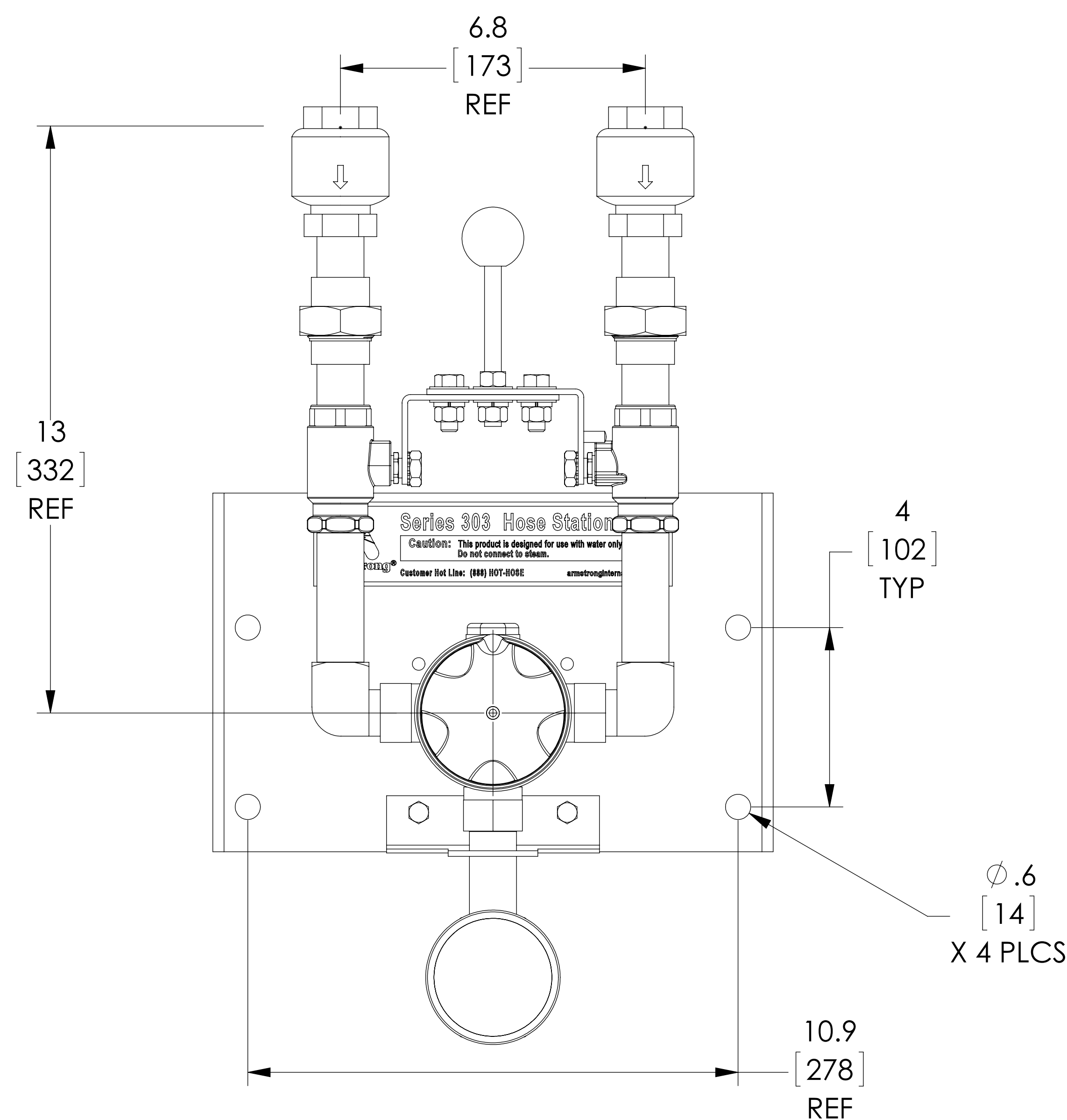


ITEM	MATERIAL
MIXING VALVE BODY	BRASS
COMPONENTS	NICKEL PLATED
BACKPLATE / RACK	STAINLESS STEEL
HOSE	N/A
NOZZLE	N/A
LOCATION	CONNECTION
COLD WATER IN CONNECTION	3/4" NPT
HOT WATER IN CONNECTION	3/4" NPT
OUTLET	3/4" NPT



NOTES:  
REFERENCE ARMSTRONG DRAWING D26917

						<b>ARMSTRONG INTERNATIONAL</b> Copyright © 2010 ARMSTRONG INTERNATIONAL, INC.	
DO NOT SCALE DRAWING TOLERANCES UNLESS OTHERWISE SPECIFIED DIMENSIONING ENGLISH [mm]						<b>3031S W/NICKEL RISER + CHECKS</b>	
FRACTIONAL ± 1/64 ANGULAR: ± 2				NAME DATE CFG 10/2/2015		D26917 C-199320	
DECIMAL .XXX ± .005 .XX ± .015 .X ± .3		IN. .010 MM .10 .3		DRAWN RELEASED		MATERIAL SHEET 1 OF 1 REV DWG. SALES	